



VD*-W*

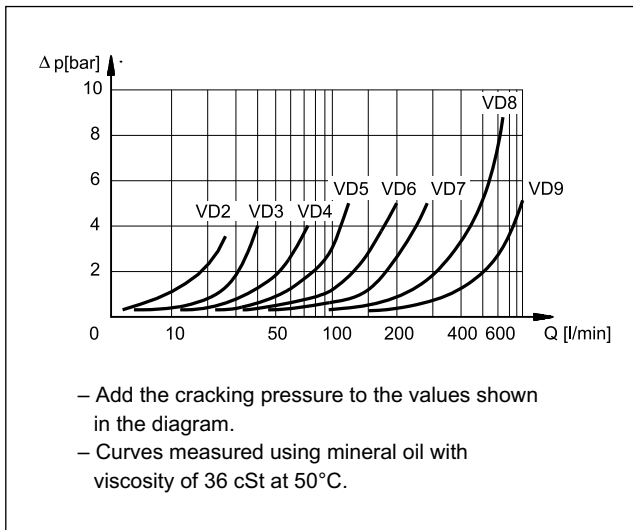
CHECK VALVES

SERIES 30

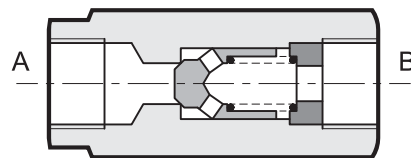
p max **400** bar

Q max (see table of performances)

PRESSURE DROPS Δp -Q



OPERATING PRINCIPLE



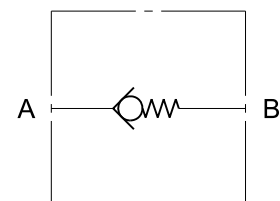
- VD*-W* valves are check valves with threaded “BSP” ports for mounting in-line on hydraulic lines.
- They allow the flow to pass freely in one direction, blocking it in the opposite direction.
- In rest conditions, the valve poppet is kept closed by a spring. The poppet opens when the pressure in the intake line “A” exceeds the set value of the spring, added to any pressure in the outlet line “B”.
- Available in eight sizes for flow rates of up to 850 l/min and with five different cracking pressures.

PERFORMANCES

Valve	BSP port dimension	Maximum flow rate [l/min]	Mass [kg]	Max operating pressure [bar]
VD2-W*	1/4"	25	0,17	400
VD3-W*	3/8"	40	0,26	
VD4-W*	1/2"	75	0,41	
VD5-W*	3/4"	125	0,6	
VD6-W*	1"	200	1,2	320
VD7-W*	1 1/4"	280	1,8	
VD8-W*	1 1/2"	650	3,2	
VD9-W*	2"	850	4,8	

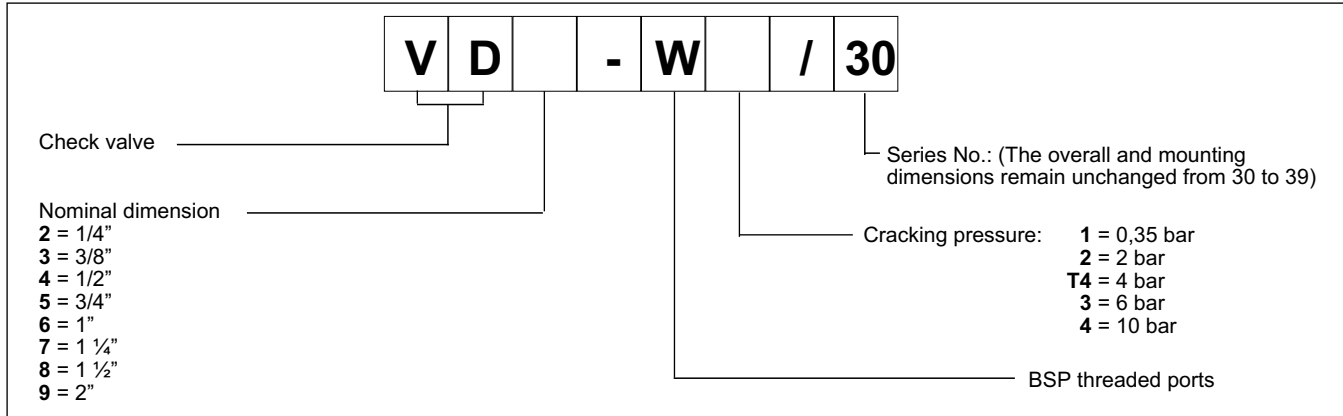
Ambient temperature range	°C	-20 / +50
Fluid temperature range	°C	-20 / +80
Fluid viscosity range	cSt	10 ÷ 400
Fluid contamination degree	cSt	25
Recommended viscosity	acc. to ISO 4406:1999 class 20/18/15	

HYDRAULIC SYMBOL





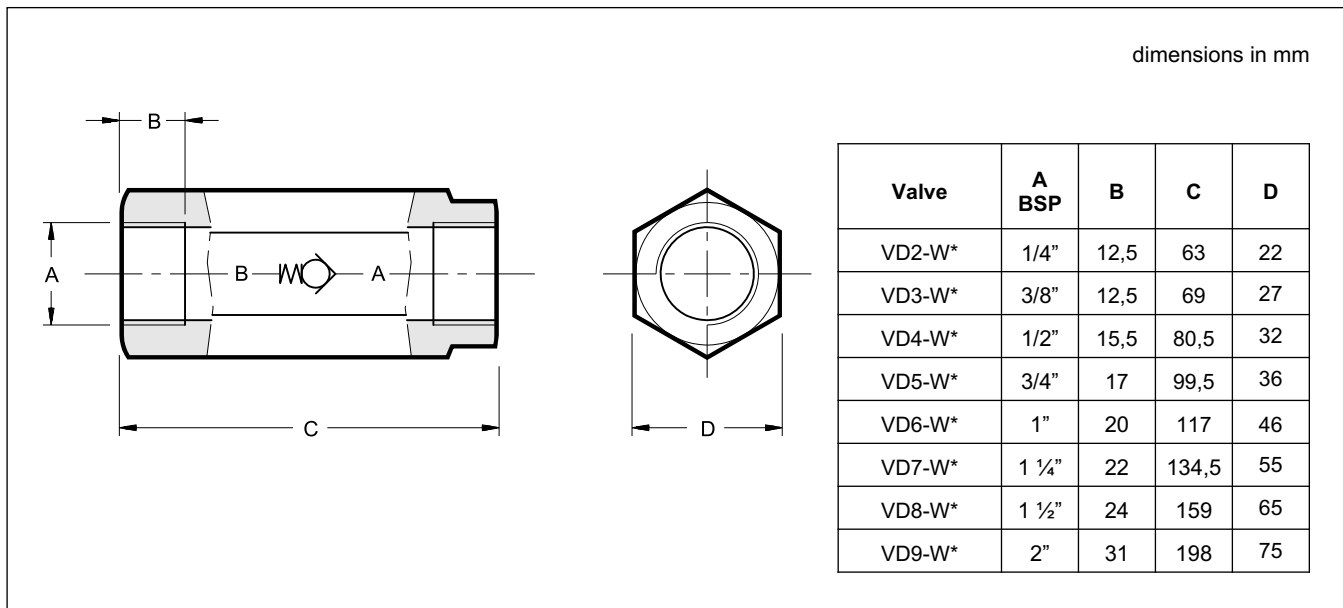
1 - IDENTIFICATION CODE



2 - HYDRAULIC FLUIDS

Use mineral oil-based hydraulic fluids HL or HM type, according to ISO 6743-4.
 Using fluids at temperatures higher than 80 °C causes a faster degradation of the fluid and of the seals characteristics.
 The fluid must be preserved in its physical and chemical characteristics.

3 - OVERALL AND MOUNTING DIMENSIONS



DIPLOMATICO OLEODINAMICA S.p.A.
 20015 PARABIAGO (MI) • Via M. Re Depaolini 24
 Tel. +39 0331.895.111
 Fax +39 0331.895.339
 www.diplomatic.com • e-mail: sales.exp@diplomatic.com