


# + GBS

## 2-WAY HIGH PRESSURE BALL VALVES




### CARBON STEEL

- Type: ball valve GB 2 way 
- Body: round
- Material: 1,0570/1,0737
- Ball seats: from DN32 up to DN50
- O-Rings: NBR, FKM, EPDM, MVQ
- Operating pressure: S3000 (210 bar), S6000 (350 bar) depending on valve size and seal materials selected
- Temp range: -20°C to +100°C depending on seal material selected

GB	S3	DN32	2	2	1	1	A	B
Type and way of valve GB 2-way	Valves dimension of pressure (psi) S3 S6	Nominal dimension DN32 DN40 DN50	Body material 2 1,0570	Adapter material 2 1,0570	Stem material 1 1,0737	Ball material 1 1,0737	Ball seat material A POM D PEEK G PA612 K GEMPTFE C PTFE	Adapter and stem seal material B NBR E FKM F EPDM L MVQ

### STAINLESS STEEL

- Type: ball valve GB 2 way 
- Body: round
- Material: 1,4404/1,4404
- Ball seats: from DN32 up to DN50
- O-Rings: NBR, FKM, EPDM, MVQ
- Operating pressure: S3000 (210 bar), S6000 (350 bar) depending on valve size and seal materials selected
- Temp range: -60°C to +230°C depending on seal material selected

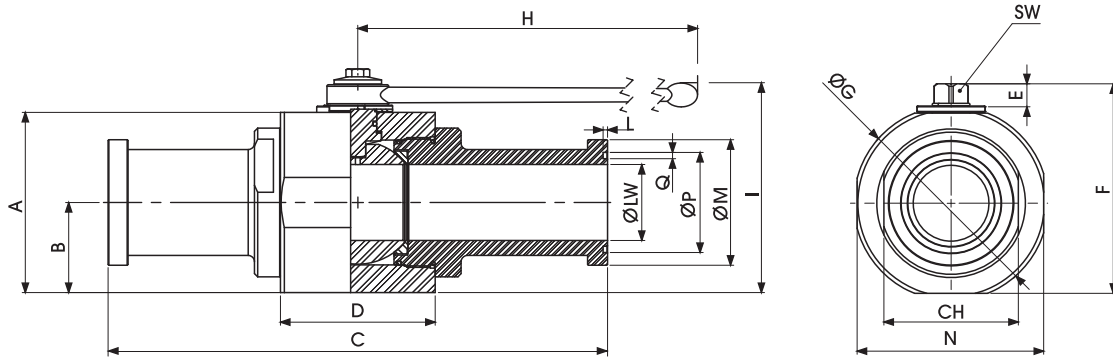
GB	S3	DN32	4	4	4	4	A	B
Type and way of valve GB 2-way	Valves dimension of pressure (psi) S3 S6	Nominal dimension DN32 DN40 DN50	Body material 4 1,4404	Adapter material 4 1,4404	Stem material 4 1,4404	Ball material 4 1,4404	Ball seat material A POM D PEEK G PA612 K GEMPTFE C PTFE	Adapter and stem seal material B NBR E FKM F EPDM L MVQ





# 2-WAY HIGH PRESSURE BALL VALVES

Specialist in Ball Valves



## GBS SAE J518 S3000

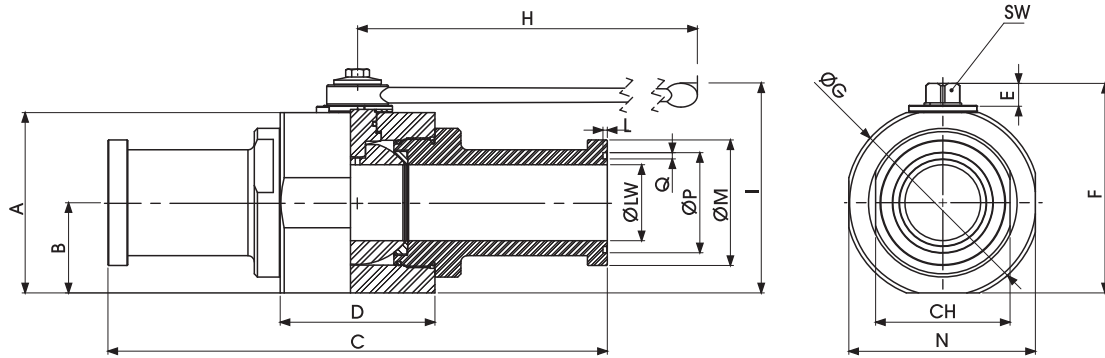
Standard

																				CARBON STEEL	STAINLESS STEEL	
TYPE	PN	DN	A	B	C	D	E	F	ØG	H	I	L	ØM	N	CH	ØP	Q	SW	ØLW	KG	ITEM CODE	ITEM CODE
GBS3	4000 Psi	32	93	46,5	190,5	75	13,5	111,5	98	300	120,5	2,79	50,8	88	60	44,45	3,94	17	32	5,429	GB2SSC3L021A000	GB2SSC3L044A000
GBS3	3000 Psi	40	107	53,5	230,5	85	13,5	125,5	113	300	134,5	2,79	60,26	102	75	53,67	3,94	17	40	8,265	GB2SSC4L021A000	GB2SSC4L044A000
GBS3	3000 Psi	50	114	57	232	98	13,5	132,5	123	300	141,5	2,79	71,4	118	85	63,25	3,94	17	50	9,865	GB2SSC5L021A000	GB2SSC5L044A000

# + GBS

## 2-WAY HIGH PRESSURE BALL VALVES

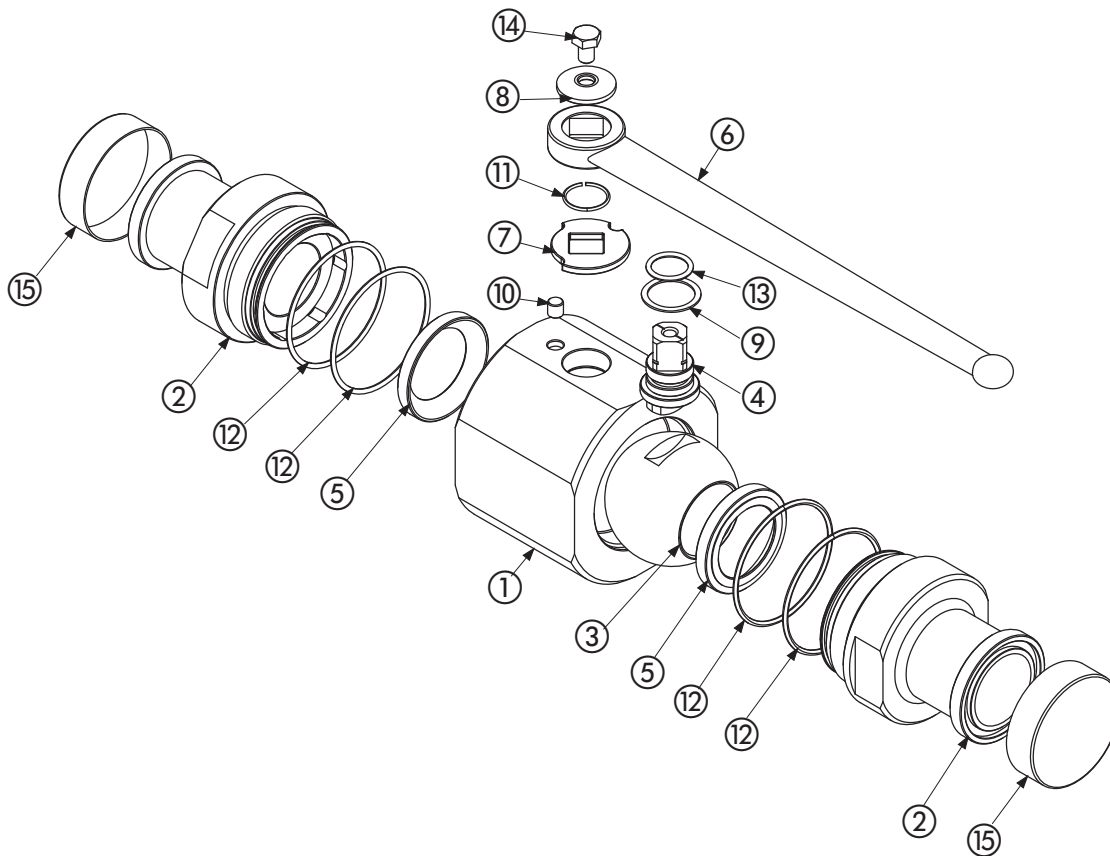
www.gemels.it



### GBS SAE J518 S6000

Standard

TYPE	PN	DN	A	B	C	D	E	F	ØG	H	I	L	ØM	N	CH	ØP	Q	SW	ØLW	KG	CARBON STEEL	STAINLESS STEEL
																					ITEM CODE	ITEM CODE
GBS6	5000 Psi	32	93	46,5	223	75	13,5	111,5	98	300	120,5	2,79	54	88	60	44,45	3,94	17	32	5,828	GB2SSC93021A000	GB2SSC93044A000
GBS6	5000 Psi	40	107	53,5	281	85	13,5	125,5	113	300	134,5	2,79	63,46	102	75	53,67	3,94	17	40	8,251	GB2SSCA3021A000	GB2SSCA3044A000
GBS6	5000 Psi	50	114	57	316	98	13,5	132,5	123	300	141,5	2,79	79,4	118	85	63,25	3,94	17	50	11,774	GB2SSCB3021A000	GB2SSCB3044A000



### Carbon steel

Pos	Description	Material	Q.tà
1	Body	1,0570	1
2	Adapter	1,0570	2
3	Ball	1,0737	1
4	Stem	1,0737	1
5	Ball seat	POM	2
6	Handle	1,0116	1
7	Washer	1,0116	1
8	Washer	1,0737	1
9	Stem ring	POM	1
10	Spine	1,0737	1
11	Seeger	1,4301	1
12	Adapter o-ring	NBR	4
13	Stem o-ring	NBR	1
14	Screw	ISO4017 8.8	1
15	Caps	PVC	2

- On request**
- Reduced bore
  - O-Ring in FKM, EPDM, HNBR, KALREZ
  - Seals in PTFE, PEEK, PA612, GEMPTFE, METAL TO METAL
  - Special threads
  - Stem in stainless steel 1,4404
  - Ball in stainless steel 1,4404
  - Pressure class up to PN5000 Psi
  - Pneumatic and electrical actuator
  - Locking device
  - Cut and uncut flange S3000-S6000

*For further special requests please consult our technical/commercial service*

### Stainless steel

Pos	Description	Material	Q.tà
1	Body	1,4404	1
2	Adapter	1,4404	2
3	Ball	1,4404	1
4	Stem	1,4404	1
5	Ball seat	POM	2
6	Handle	1,4301	1
7	Washer	1,4301	1
8	Washer	1,4301	1
9	Stem ring	POM	1
10	Spine	1,4301	1
11	Seeger	1,4301	1
12	Adapter o-ring	NBR	4
13	Stem o-ring	NBR	1
14	Screw	ISO4017 A2	1
15	Caps	PVC	2

- On request**
- Reduced bore
  - O-Ring in FKM, EPDM, HNBR, KALREZ
  - Seals in PTFE, PEEK, PA612, GEMPTFE, METAL TO METAL
  - Special threads
  - Pressure class up to PN5000 Psi
  - Pneumatic and electrical actuator
  - Locking device
  - Cut and uncut flange S3000-S6000