

# + Handles



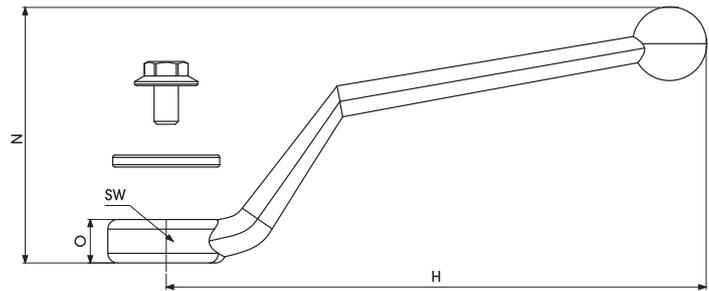
**BENT HANDLES**  
**BUTTERFLY HANDLES**  
**CUT BENT HANDLES**  
**CUT STRAIGHT HANDLES**  
**PIPE HANDLES**  
**SHORT HANDLES**  
**STRAIGHT HANDLES**

Handles



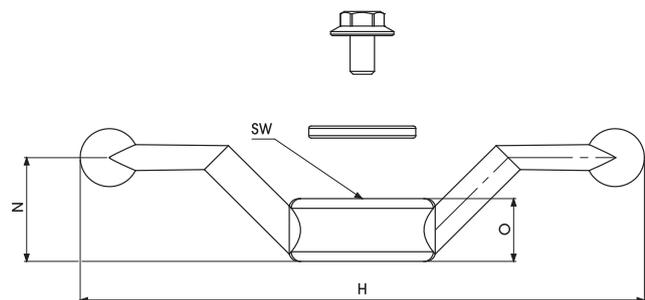
# + Handles

Specialist in Ball Valves



## BENT HANDLES

| SW | H   | N  | O  | MATERIAL       | TREATMENT  | WEIGHT Kg | HANDLE CODE | KIT CODE  |
|----|-----|----|----|----------------|------------|-----------|-------------|-----------|
| 9  | 110 | 53 | 9  | ZINC           | GALVANIZED | 0,082     | C001010ZZ   | KOL0011ZZ |
| 9  | 110 | 53 | 9  | CARBON STEEL   | GALVANIZED | 0,097     | C001010ZZ   | KOL0011ZZ |
| 9  | 110 | 53 | 9  | STAINLES STEEL | -          | 0,098     | C0010106H   | KOL00116H |
| 14 | 180 | 48 | 13 | ZINC           | GALVANIZED | 0,18      | C008550ZZ   | KOL0016ZZ |
| 14 | 180 | 48 | 14 | CARBON STEEL   | GALVANIZED | 0,248     | C006920ZZ   | KOL0015ZZ |
| 14 | 180 | 48 | 14 | STAINLES STEEL | -          | 0,257     | C0069206H   | KOL00156H |
| 17 | 300 | 71 | 14 | CARBON STEEL   | GALVANIZED | 0,662     | C009250ZZ   | KBL0013ZZ |
| 17 | 300 | 71 | 14 | STAINLES STEEL | -          | 0,675     | C0092506H   | KBL00136H |

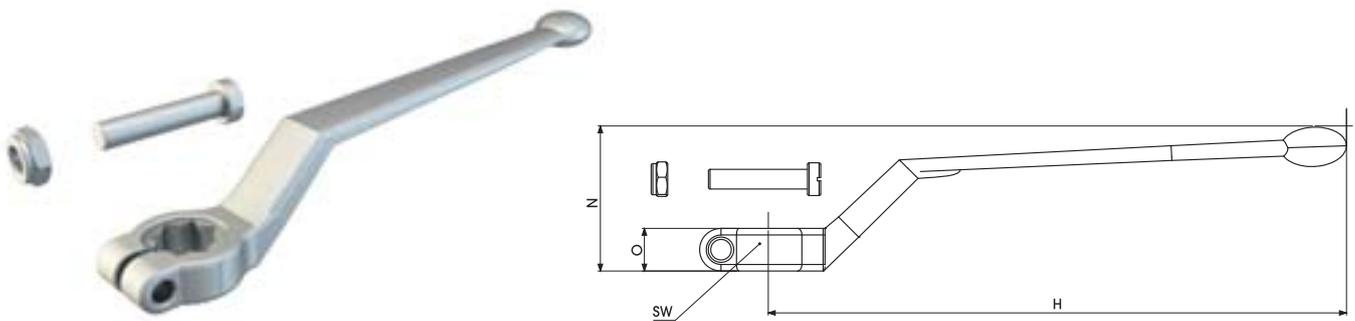


## BUTTERFLY HANDLES

| SW | H   | N    | O  | MATERIAL | TREATMENT  | WEIGHT Kg | HANDLE CODE | KIT CODE  |
|----|-----|------|----|----------|------------|-----------|-------------|-----------|
| 9  | 116 | 27,5 | 13 | ZINC     | GALVANIZED | 0,107     | C010740ZZ   | KOL0018ZZ |
| 14 | 116 | 27,5 | 13 | ZINC     | GALVANIZED | 0,097     | C010750ZZ   | KOL0019ZZ |

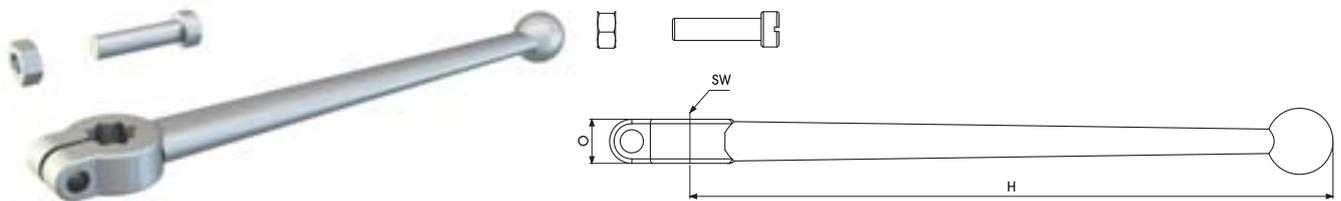
# + Handles

www.gemels.it



## CUT BENT HANDLES

| SW | H   | N  | O  | MATERIAL   | TREATMENT   | WEIGHT Kg | HANDLE CODE | KIT CODE  |
|----|-----|----|----|------------|-------------|-----------|-------------|-----------|
| 14 | 180 | 53 | 13 | ZINC       | GALVANIZED  | 0,195     | C001200ZZ   | KEL007ZZ  |
| 14 | 330 | 71 | 14 | ALLUMINIUM | RED PAINTED | 0,222     | C000360AV   | KBL0010HV |



## CUT STRAIGHT HANDLES

| SW | H   | N  | O | MATERIAL   | TREATMENT   | WEIGHT Kg | HANDLE CODE | KIT CODE |
|----|-----|----|---|------------|-------------|-----------|-------------|----------|
| 9  | 145 | 10 | - | ZINC       | GALVANIZED  | 0,042     | C000020ZZ   | KEL006ZZ |
| 14 | 300 | 14 | - | ALLUMINIUM | RED PAINTED | 0,208     | C002890AV   | KBL009HV |



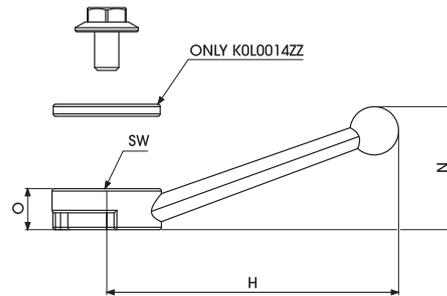
## PIPE HANDLES

| SW | H   | N    | O | MATERIAL       | TREATMENT  | WEIGHT Kg | HANDLE CODE | KIT CODE  |
|----|-----|------|---|----------------|------------|-----------|-------------|-----------|
| 19 | 650 | 73,5 | - | CARBON STEEL   | GALVANIZED | 2,112     | C001250ZZ   | KOL0020ZZ |
| 19 | 650 | 73,5 | - | STAINLES STEEL | -          | 2,312     | C0012506H   | KOL00206H |
| 24 | 650 | 78   | - | CARBON STEEL   | GALVANIZED | 3,912     | C001250ZZ   | KOL0021ZZ |
| 24 | 650 | 78   | - | STAINLES STEEL | -          | 4         | C0012506H   | KOL00216H |

# + Handles

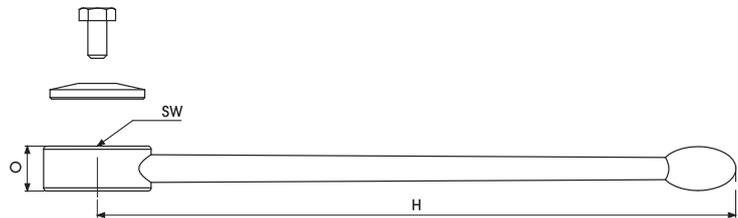
www.gemels.it

2014 - Edition 2



## SHORT HANDLES

| SW | H  | N     | O   | MATERIAL | TREATMENT   | WEIGHT Kg | HANDLE CODE | KIT CODE  |
|----|----|-------|-----|----------|-------------|-----------|-------------|-----------|
| 6  | 60 | 25,50 | 8,5 | ZINC     | RED PAINTED | 0,024     | C001490ZV   | K1LT117ZV |
| 9  | 60 | 25,50 | 8,5 | ZINC     | GALVANIZED  | 0,022     | C009490ZZ   | K0L0014ZZ |



## STRAIGHT HANDLES

| SW | H   | N | O  | MATERIAL       | TREATMENT   | WEIGHT Kg | HANDLE CODE | KIT CODE  |
|----|-----|---|----|----------------|-------------|-----------|-------------|-----------|
| 14 | 200 | - | 14 | ALLUMINIUM     | RED PAINTED | 0,109     | C002950AV   | KELO08HV  |
| 17 | 300 | - | 13 | CARBON STEEL   | GALVANIZED  | 0,457     | C0081302Z   | K0L00122Z |
| 17 | 300 | - | 13 | STAINLES STEEL | -           | 0,467     | C0081306H   | K0L00126H |