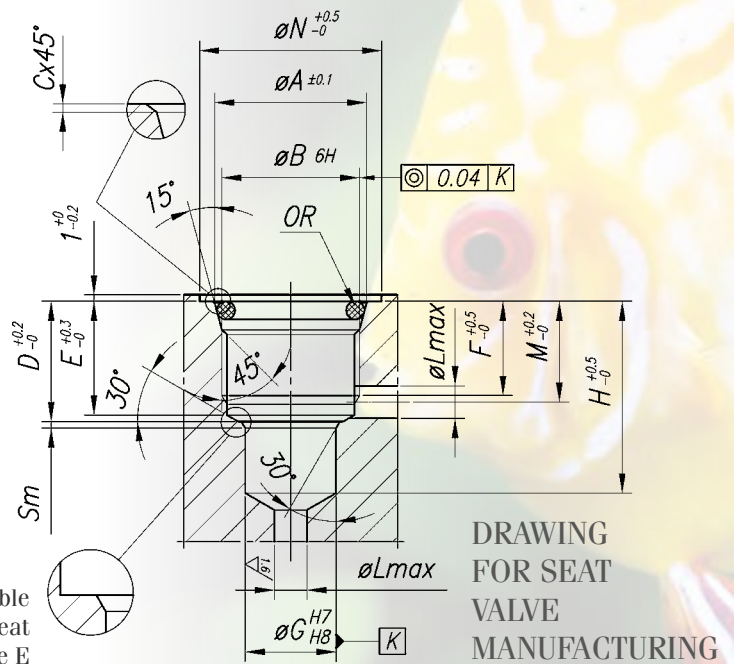
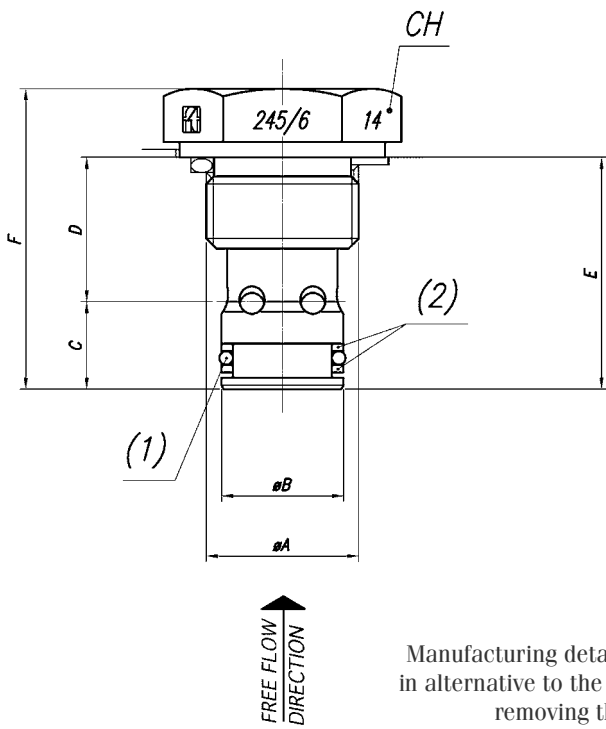



MATERIALS

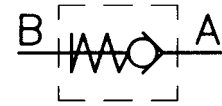
BODY	11 S MN PB 30 - UNI EN 10087
HECK VALVE	38 NI CR MO4 - UNI EN 10083
SPRING	C85 - UNI EN 10089
SCREW PLUG	11 S MN PB 30 - UNI EN 10087

EXAMPLE FOR ORDERING

	CODE	TYPE	SEAL VITON
STEEL	FT 245/6	14	V
STAINLESS STEEL	FT 2245/6	12	-


DIMENSIONS

TYPE	∅A	∅B	C	D	E	F	CH	OR 1	OR 2	WEIGHT KG
14	M20x1,5	16	11,5	19	30,5	36,5	27	2050	SPECIAL 267/2.022.00.1-38	0,070
38	M27x2	19	16,5	23,5	40	47	32	2062	SPECIAL 267/2.022.00.1-12	0,140
12	M33x2	27	19	25,5	44,5	58,5	41	130	SPECIAL 267/2.022.00.1-34	-
34	M42x2	35	22	80,5	52,5	68	50	3118	SPECIAL 267/2.022.00.1-34	-



CARTRIDGE SINGLE-ACTING FLOW CONTROL VALVE

The valve assembled into a hydraulic circuit permits the free flow in a single direction blocking the passage in the opposite one. The valve is available with different pressure settings (0,5 standard and 2-4-6-8-10 bar).



FT 245/6



VALVE SEATING SIZE TABLE

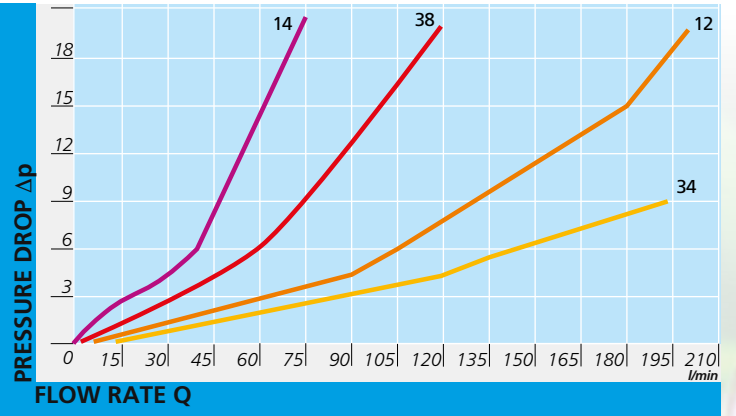
TYPE	ØA	ØB	C	D	E	F	ØG	H	ØL	M	ØN	SM	OR
14	22,3	M20x1,5	0,25	21	20,5	13,5	16	33,5	8	16,2	28	1,2	3068
38	29,1	M27x2	0,3	30	28,5	20	19	43	10	24	34	1,2	132
12	36	M33x2	0,3	32,5	32	20	27	47,5	13	25	43	1,2	4112
34	45	M42x2	0,3	38,5	37	23,5	35	57	16	29	60	1,5	4150

TECHNICAL DATA

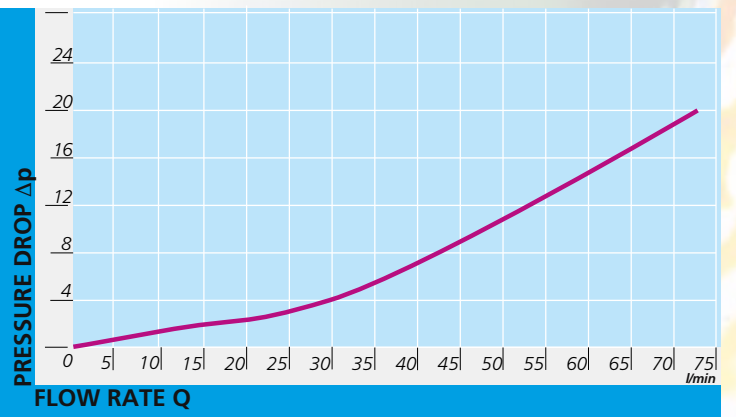
TYPE	MAX WORKING PRESSURE BAR	MIN BURSTING PRESSURE BAR	WORKING TEMPERATURE °C	FILTRATION GRADE µM ABSOLUTE
14	320	1300	-20°/+100°	25
38	320	1300	-20°/+100°	25
12	320	1300	-20°/+100°	25
34	320	1300	-20°/+100°	25



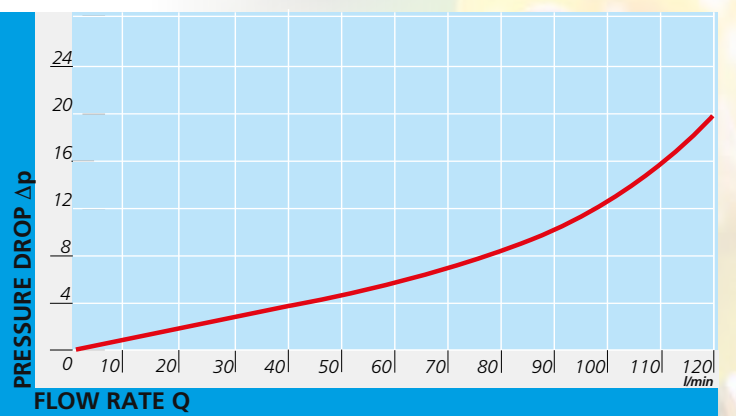
FT 245



FT 245-14



FT 245-38



FLOW RATE CURVES



FT 245/6

