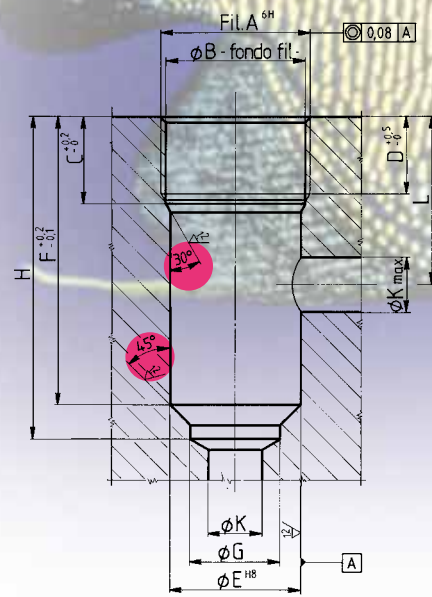
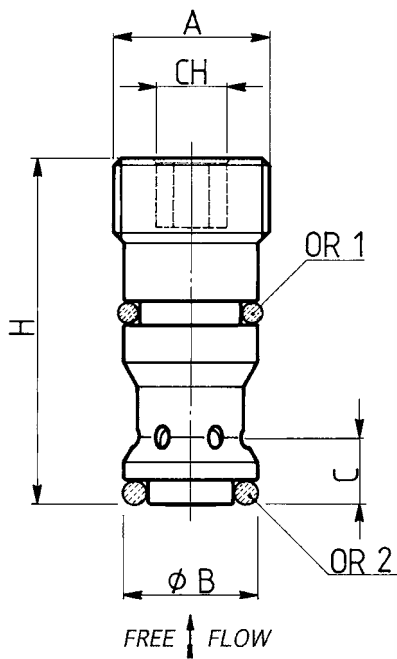



MATERIALS

| | |
|-------------|------------------------------|
| BODY | 11 S MN PB 30 - UNI EN 10087 |
| CHECK VALVE | 38 NI CR MO4 - UNI EN 10083 |
| SPRING | C85 - UNI EN 10089 |
| SCREW PLUG | 11 S MN PB 30 - UNI EN 10087 |

EXAMPLE FOR ORDERING

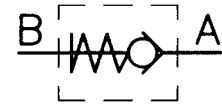
| | CODE | TYPE | SEAL VITON |
|-----------------|-----------|------|------------|
| STEEL | FT 267/6 | 14 | V |
| STAINLESS STEEL | FT 2267/6 | 12 | - |



**DRAWING
FOR SEAT VALVE
MANUFACTURING**

DIMENSIONS

| TYPE | A UNI4534 | ϕB | C | H | CH | OR 1 | OR 2 | WEIGHT KG |
|------|-----------|----------|------|------|----|------|------|-----------|
| 14 | M22x1,5 | 19 | 9,5 | 49 | 8 | 3056 | 115 | 0,80 |
| 38 | M27x2 | 24 | 10,5 | 56 | 10 | 3075 | 3068 | 0,140 |
| 12 | M33x2 | 29 | 13 | 67 | 10 | 3093 | 3087 | 0,265 |
| 34 | M42x2 | 38 | 17 | 80,5 | 12 | 4125 | 4112 | 0,545 |



THREADED CARTRIDGE MOUNTED SINGLE-ACTING VALVES

They allow free flow in one direction, shutting-off the return flow in the opposite direction. Release pressure 0,35 bar.

On request

- Version in AISI 316 code FT 2267/6
- Complete with Viton seals (V)



FT 267/6



VALVE SEATING SIZE TABLE

| TYPE | A | ØB | C | D | ØE | F | ØG | H | ØK | L | |
|------|----------|------|------|------|----|------|----|------|----|------|-----|
| | UNI 4534 | | | | | | | | | MIN | MAX |
| 14 | M22x1,5 | 20,5 | 16,5 | 13,5 | 19 | 45,5 | 10 | 52 | 8 | 33,5 | 36 |
| 38 | M27x2 | 25 | 18 | 16 | 24 | 52,5 | 15 | 59 | 10 | 36,5 | 40 |
| 12 | M33x2 | 31 | 21 | 17 | 29 | 63,5 | 20 | 71 | 12 | 45 | 49 |
| 34 | M42x2 | 40 | 25 | 20 | 38 | 76 | 26 | 85,5 | 15 | 52 | 59 |

TECHNICAL DATA

| TYPE | MAX. WORKING PRESSURE BAR | MIN. BURSTING PRESSURE BAR | WORKING TEMPERATURE °C | FILTRATION GRADE µM ABSOLUTE |
|------|---------------------------|----------------------------|------------------------|------------------------------|
| 14 | 320 | 1300 | -20°/+100° | 25 |
| 38 | 320 | 1300 | -20°/+100° | 25 |
| 12 | 320 | 1300 | -20°/+100° | 25 |
| 34 | 320 | 1300 | -20°/+100° | 25 |
| 100 | 320 | 1300 | -20°/+100° | 25 |