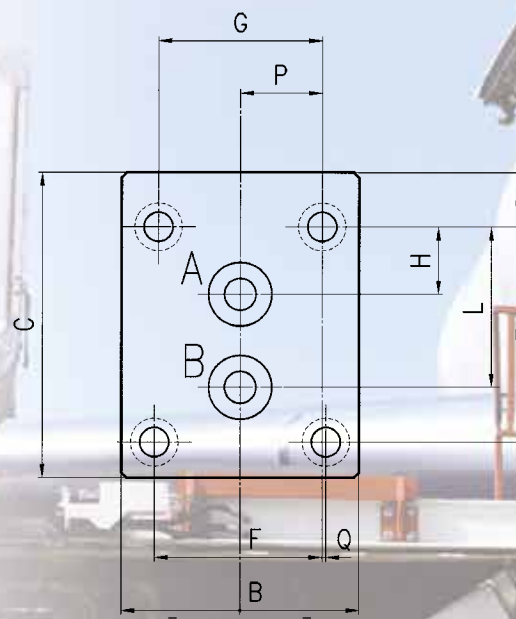
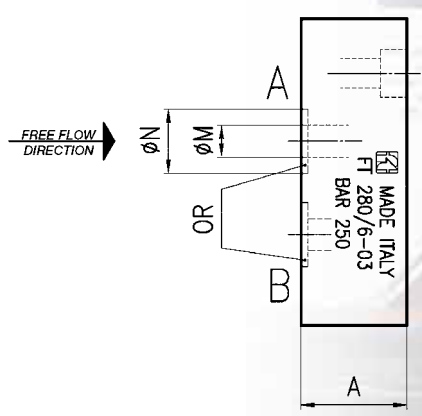


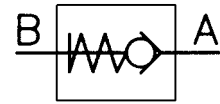

MATERIALS

VALVE BODY	11 S MN Pb 30 - UNI EN 10087
GUIDE CAGE	NYLON 66 + CARBON FIBER
BALL	STEEL - UNI 100 C 6
SPRING	STEEL INOX AISI 302
PLUG	STEEL 35 S MN Pb 10 - UNI EN 10087

All components are surface treated and protected


DIMENSIONS

TYPE	A	B	C	D	E	F	G	H	L	ØM	ØN	P	Q	OR	SCREW	WEIGHT KG
03	20	45	57,5	10,3	40,5	31,75	31	12,7	30,2	6	12	15,5	0,75	108	M5x25	0,350



SINGLE-ACTING PLATE VALVES

They are inserted in circuit branches where a free flow circulation is required in one direction and passage obstruction in the opposite direction.

The single-acting valves are both of ball type with guide housing and cantering, made of composite

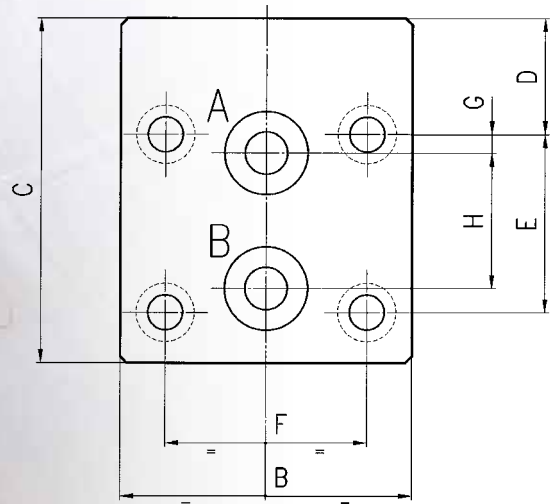
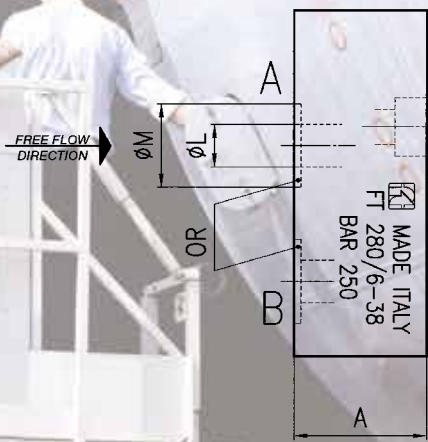
Material with very high mechanical resistance, which allows a total passage and exceptional resistance to wear and breakage, shown by the numerous high stress and varied tests to which they were subjected.

They may be supplied with two different setting values of the realised pressure (0,35 standard and 4,5 bar).

They are provided with plate connections mod. CETOP 03 or interchangeable with the broadly used valves. The connection seals are equipped in series. Max. working pressure 250 bar.



FT 280/6



DIMENSIONS

TYPE	A	B	C	D	E	F	G	H	ØL	ØM	ØR	SCREW	WEIGHT KG
14	20	50	60,5	18	35	33,5	5	25,5	6	12,7	2037	M6x25	0,410
38	25	55	65	22	33,5	38	3,5	25,5	8	15,7	2050	M6x30	0,605
12	30	65	82,5	30,5	38	44,5	4	30	11	19,7	119	M6x35	1,010

EXAMPLE FOR ORDERING

CODE	TYPE
FT 280/6	03

FT 280/6 - 03 FT 280/6 - 14
FT 280/6 - 38 FT 280/6 - 12

