

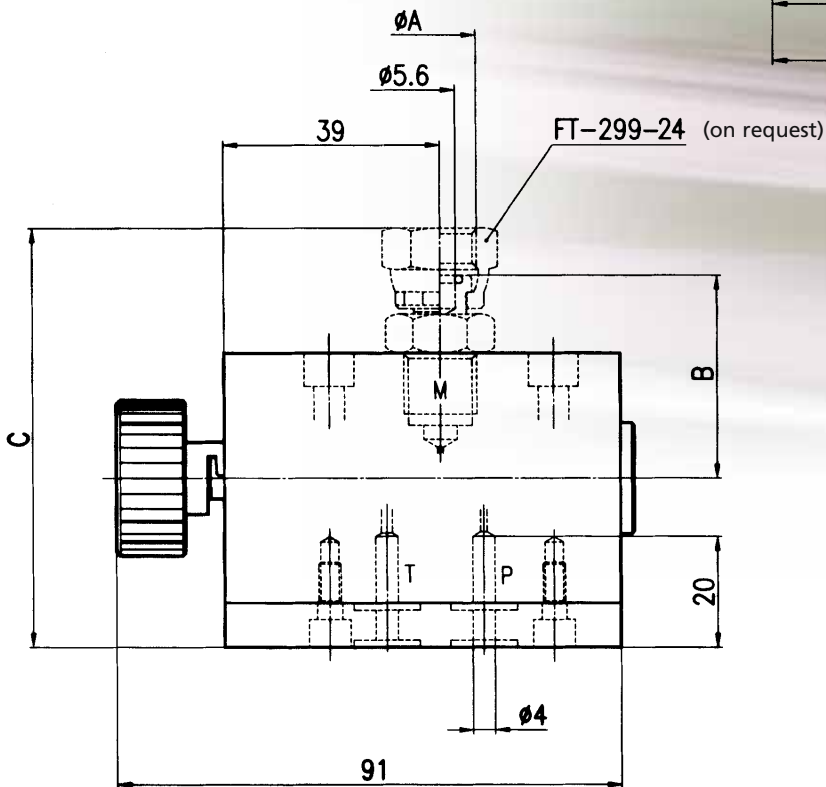
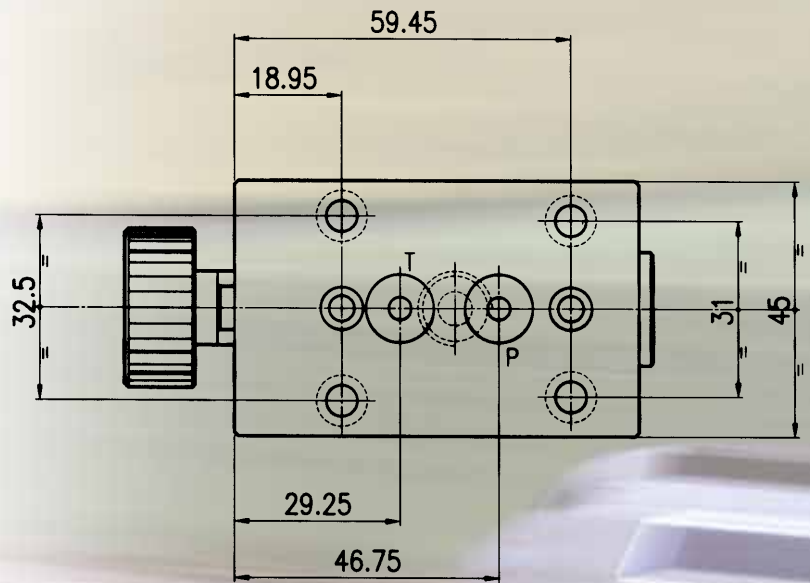


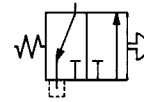
FT 293



## MATERIALS

BODY	11 S MN Pb 30 - UNI EN 10087 - PRESS FORG.
CURSOR	35 S MN Pb 23 - UNI EN 10087 HEAT TREATMENT
PUSH BUTTON	NYLON 66
OR	NITRILE
WEIGHT	KG. 0,890
All components are surface treated and protected	





## GAUGE ISOLATOR PUSH-BUTTON VALVES WITH PLATE INTERFACE

The new gauge isolator push-button valves series FT 293 are normally used to protect the pressure gauge since they have the double function of dampening pressure surge during opening and of isolating the pressure gauge entirely.

A release is obtained by depressing the button. Releasing the button shuts off the flow to the gauge with residual pressure being automatically drained. The button can be locked to give a continuous reading.

Locking screws are not supplied.

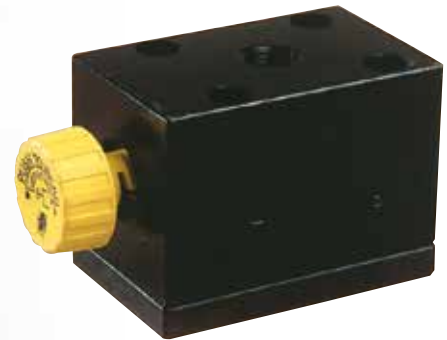
The accurate study of components, of working conditions and of materials has contributed to obtain high quality levels, also confirmed by the results, which they are regularly subjected to.

Equipped with connectors FT 299 (see page 212), they also allow full location orientation for ease of reading.

They may be used for working pressure up to 400 bar.

### On request

- viton seal



# FT 293

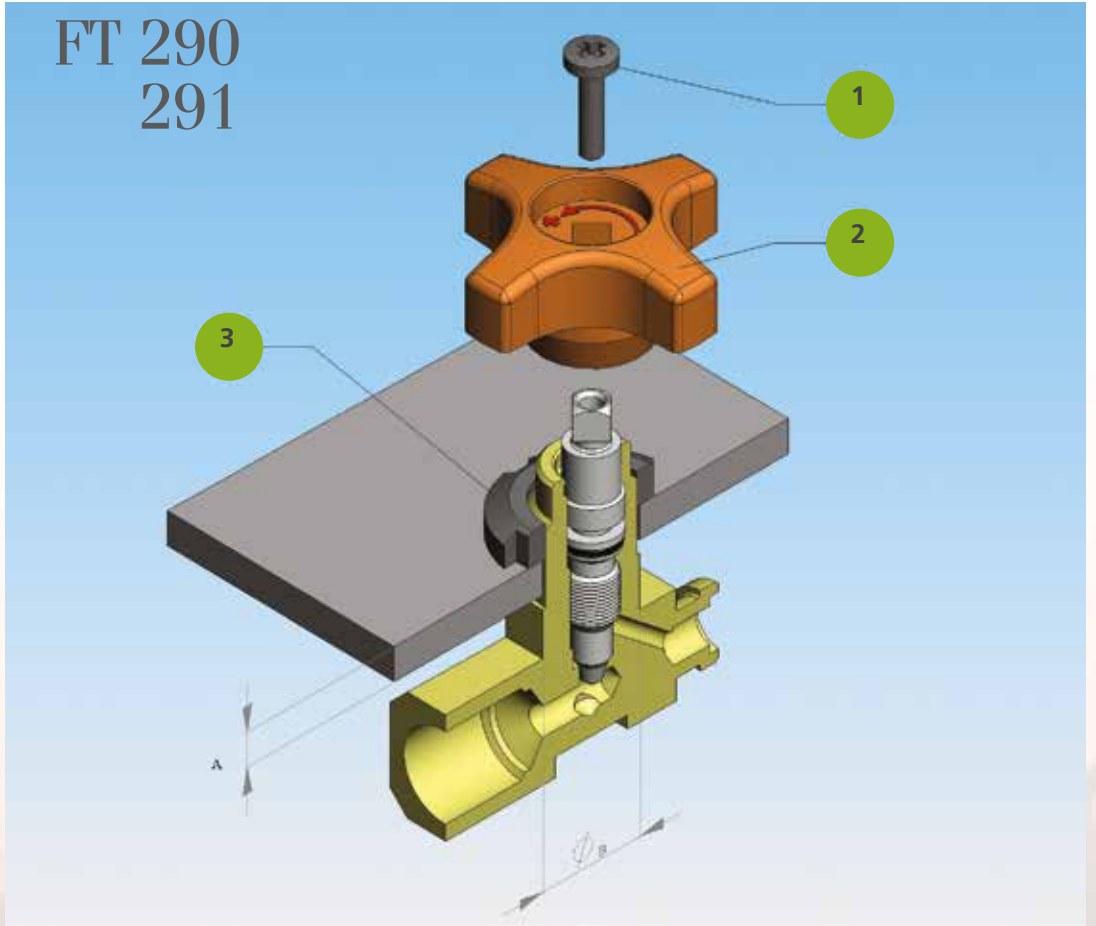
### EXAMPLE FOR ORDERING

CODE	PANEL PLATE
FT 293	T

### DIMENSIONS

∅A	1/4" G	1/2" G
B	36,5	40,5
C	75,5	82

# FT 290 291



## ASSEMBLY INSTRUCTION

1°	REMOVE SCREW (1)
2°	PULL OFF HANDWHEEL (2)
3°	INSERT RING NUT (3) TYPE KM OR HEXAGONAL

PANEL A THICKNESS MAX	PANEL HOLE $\varnothing$ B
5	16

