

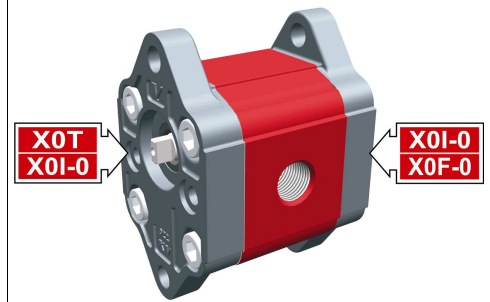
intermediate pump - series XV

XO1-0

STANDARD INTERMEDIATE PUMP
FEMALE Ø22 FLANGE

X 0 I 06 22 M B B A

Series	X	series XV
Group	0	group 0
Category	I	intermediate pump
Displacement	06	0.76
Flange	22	Ø22 female right rotation 0P+0P
Shaft	M	CFI01 - Intermediate - (Milled shank ø7 - thk.3)
Body	IN	inlet - 1/4" GAS
	OUT	outlet - 1/4" GAS
Cover	A	Ø22 female cover for left multiple pump element



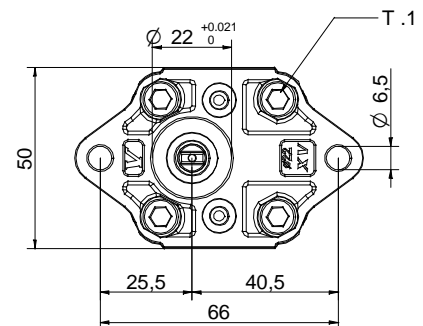
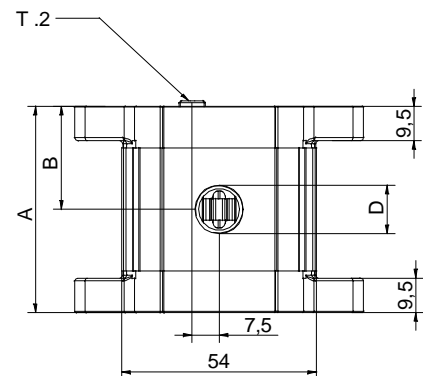
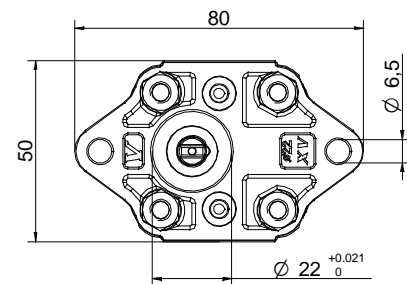
XI001

Technical data table

TYPE	Displacement cm3/rev	Max. Pressure		CODE	
		P1 bar	P3 bar	Left rotation	Right rotation
XO1-0/0.17	0,16	220	260	X 0 I 01 21 M B B A	X 0 I 01 22 M B B A
XO1-0/0.25	0,24	220	260	X 0 I 02 21 M B B A	X 0 I 02 22 M B B A
XO1-0/0.45	0,45	220	280	X 0 I 04 21 M B B A	X 0 I 04 22 M B B A
XO1-0/0.57	0,56	220	280	X 0 I 05 21 M B B A	X 0 I 05 22 M B B A
XO1-0/0.76	0,75	220	280	X 0 I 06 21 M B B A	X 0 I 06 22 M B B A
XO1-0/0.98	0,92	220	280	X 0 I 07 21 M B B A	X 0 I 07 22 M B B A
XO1-0/1.27	1,26	220	280	X 0 I 09 21 M B B A	X 0 I 09 22 M B B A
XO1-0/1.52	1,48	220	280	X 0 I 11 21 M B B A	X 0 I 11 22 M B B A
XO1-0/2.30	2,28	190	210	X 0 I 13 21 M B B A	X 0 I 13 22 M B B A

P1) Max. working pressure - P3) Max. peak pressure

For heavy-duty applications, it is recommended to check the admissible torque of the shaft



31/03/08 X010622MBBAdff

Dimensions table

TYPE	Weight kg	A	B	D	D
		mm	mm	IN	OUT
XO1-0/0.17	0,400	52,3	26,2	1/4" BSPP	1/4" BSPP
XO1-0/0.25	0,410	52,9	26,5	1/4" BSPP	1/4" BSPP
XO1-0/0.45	0,420	54,5	27,3	1/4" BSPP	1/4" BSPP
XO1-0/0.57	0,430	55,5	27,8	1/4" BSPP	1/4" BSPP
XO1-0/0.76	0,440	57,0	28,5	1/4" BSPP	1/4" BSPP
XO1-0/0.98	0,460	58,5	29,3	1/4" BSPP	1/4" BSPP
XO1-0/1.27	0,480	61,0	30,5	1/4" BSPP	1/4" BSPP
XO1-0/1.52	0,500	63,0	31,5	1/4" BSPP	1/4" BSPP
XO1-0/2.30	0,560	69,0	34,5	1/4" BSPP	1/4" BSPP

T.1 = 11.7÷13.7 [Nm] - screw tightening torque M6

T.2 = 3.7 [Nm] - admissible shaft torque (N.B. When choosing a shaft, always check the admissible torque).

