

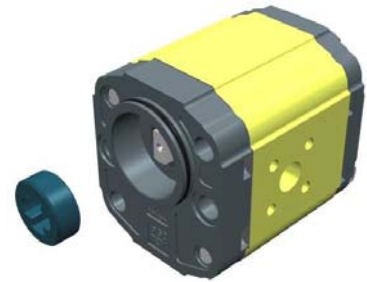
unidirectional pump - series XV

XV-2P

STANDARD GERMAN "BH" TYPE PUMP
 ø52 BODY-SHAPED FLANGE - MILLED SHANK

X 2 P 51 32 C S R A

| | | |
|--------------|-----|---|
| Series | X | series XV |
| Group | 2 | group 2 |
| Category | P | unidirectional pump |
| Displacement | 51 | 17 |
| Flange | 32 | Ø52 BH GERMAN STANDARDIZED right rotation (with OR) |
| Shaft | C | CF001 - Milled shank ø15 - thk.8 ("BH" Standard German) |
| Body | IN | inlet - Ø40 a 45° Ø20 M6 |
| | OUT | outlet - Ø35 a 45° Ø15 M6 |
| Cover | A | standard |



XP216

Technical data table

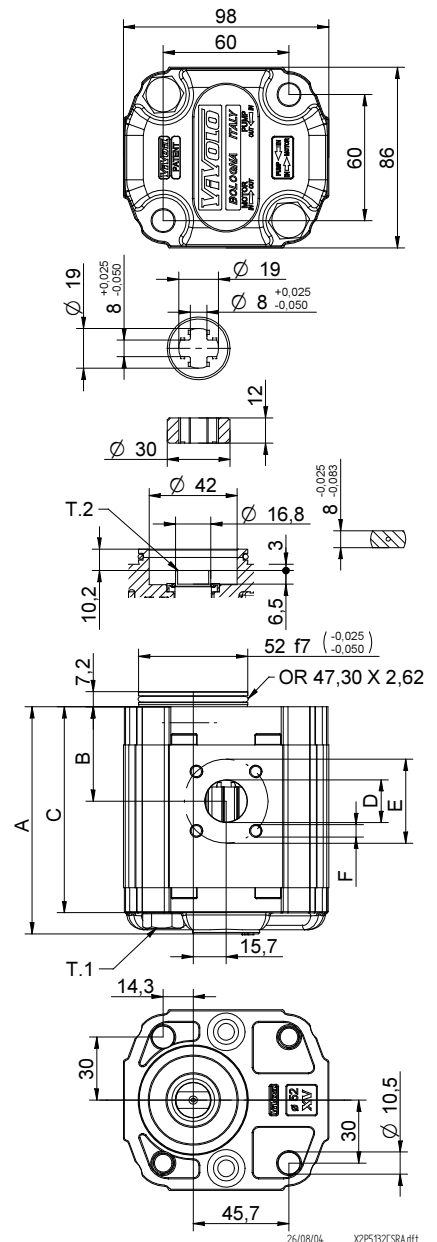
| TYPE | Displacement cm3/rev | Max. Pressure | | CODE | | | | | | | | | | | | | | | | | |
|----------|-------------------------|---------------|--------|---------------|---|---|----|----------------|---|---|---|---|---|---|---|----|----|---|---|---|---|
| | | P1 bar | P3 bar | Left rotation | | | | Right rotation | | | | | | | | | | | | | |
| XV-2P/04 | 4,20 | 260 | 300 | X | 2 | P | 41 | 31 | C | S | R | A | X | 2 | P | 41 | 32 | C | S | R | A |
| XV-2P/06 | 6,00 | 260 | 300 | X | 2 | P | 43 | 31 | C | S | R | A | X | 2 | P | 43 | 32 | C | S | R | A |
| XV-2P/09 | 8,40 | 260 | 300 | X | 2 | P | 45 | 31 | C | S | R | A | X | 2 | P | 45 | 32 | C | S | R | A |
| XV-2P/11 | 10,80 | 260 | 300 | X | 2 | P | 47 | 31 | C | S | R | A | X | 2 | P | 47 | 32 | C | S | R | A |
| XV-2P/14 | 14,40 | 250 | 290 | X | 2 | P | 49 | 31 | C | S | R | A | X | 2 | P | 49 | 32 | C | S | R | A |
| XV-2P/17 | 16,80 | 230 | 270 | X | 2 | P | 51 | 31 | C | S | R | A | X | 2 | P | 51 | 32 | C | S | R | A |
| XV-2P/19 | 19,20 | 210 | 250 | X | 2 | P | 53 | 31 | C | S | R | A | X | 2 | P | 53 | 32 | C | S | R | A |
| XV-2P/22 | 22,80 | 200 | 240 | X | 2 | P | 55 | 31 | C | S | R | A | X | 2 | P | 55 | 32 | C | S | R | A |
| XV-2P/26 | 26,20 | 170 | 210 | X | 2 | P | 57 | 31 | C | S | R | A | X | 2 | P | 57 | 32 | C | S | R | A |
| XV-2P/30 | 30,00 | 160 | 200 | X | 2 | P | 59 | 31 | C | S | S | A | X | 2 | P | 59 | 32 | C | S | S | A |
| XV-2P/34 | 34,20 | 150 | 190 | X | 2 | P | 61 | 31 | C | S | S | A | X | 2 | P | 61 | 32 | C | S | S | A |
| XV-2P/40 | 39,60 | 140 | 180 | X | 2 | P | 63 | 31 | C | S | S | A | X | 2 | P | 63 | 32 | C | S | S | A |

P1) Max. working pressure - P3) Max. peak pressure

For heavy-duty applications, it is recommended to check the admissible torque of the shaft

Dimensions table

| TYPE | Weight kg | A | B | C | D | E | F | D | E | F |
|----------|--------------|-------|------|-------|-----|----|-------|-----|----|------|
| | | mm | mm | mm | IN | | | OUT | | |
| XV-2P/04 | 2,100 | 87,2 | 38,6 | 77,2 | ø20 | 40 | M6x1 | ø15 | 35 | M6x1 |
| XV-2P/06 | 2,200 | 90,2 | 38,6 | 80,2 | ø20 | 40 | M6x2 | ø15 | 35 | M6x1 |
| XV-2P/09 | 2,300 | 94,2 | 40,6 | 84,2 | ø20 | 40 | M6x3 | ø15 | 35 | M6x1 |
| XV-2P/11 | 2,400 | 98,2 | 45,0 | 88,2 | ø20 | 40 | M6x4 | ø15 | 35 | M6x1 |
| XV-2P/14 | 2,600 | 104,2 | 45,0 | 94,2 | ø20 | 40 | M6x5 | ø15 | 35 | M6x1 |
| XV-2P/17 | 2,700 | 108,2 | 45,0 | 98,2 | ø20 | 40 | M6x6 | ø15 | 35 | M6x1 |
| XV-2P/19 | 2,800 | 112,2 | 45,0 | 102,2 | ø20 | 40 | M6x7 | ø15 | 35 | M6x1 |
| XV-2P/22 | 2,950 | 118,2 | 52,5 | 108,2 | ø20 | 40 | M6x8 | ø15 | 35 | M6x1 |
| XV-2P/26 | 3,050 | 122,2 | 52,5 | 112,2 | ø20 | 40 | M6x9 | ø15 | 35 | M6x1 |
| XV-2P/30 | 3,300 | 130,2 | 60,7 | 120,2 | ø20 | 40 | M6x10 | ø20 | 40 | M6x1 |
| XV-2P/34 | 3,500 | 137,2 | 60,7 | 127,2 | ø20 | 40 | M6x11 | ø20 | 40 | M6x1 |
| XV-2P/40 | 3,700 | 146,2 | 60,7 | 136,2 | ø20 | 40 | M6x12 | ø20 | 40 | M6x1 |



T.1 = 54÷58.9 [Nm] - screw tightening torque M10

T.2 = 60.5 [Nm] - admissible shaft torque (N.B. When choosing a shaft, always check the admissible torque).

Table of variations

XV-2P

Standard German ø52 "BH" FLANGE

| Standard German ø52 "BH" FLANGE | | | | Shaft | | | | Cover | | | |
|---------------------------------|-----------|----------------|-----------|----------------------|--|-----------------|-----------------|---------------|--|----------------|----------|
| Left rotation | | Right rotation | | CF001 - Milled shank | | SCF05 - Splined | | Left rotation | | Right rotation | |
| | 31 | | 32 | T.2 = 60.5 [Nm] | | C | T.2 = 86.2 [Nm] | | | | A |
| | 33 | | 34 | SCF01 - Splined | | L | | | | | B |
| | 35 | | 36 | T.2 = 86.2 [Nm] | | L | | | | | C |
| | 37 | | 38 | | | L | | | | | D |

| Displacement | |
|--------------|-----------|
| TYPE | CODE |
| XV-2P/04 | 41 |
| XV-2P/06 | 43 |
| XV-2P/09 | 45 |
| XV-2P/11 | 47 |
| XV-2P/14 | 49 |
| XV-2P/17 | 51 |
| XV-2P/19 | 53 |
| XV-2P/22 | 55 |
| XV-2P/26 | 57 |
| XV-2P/30 | 59 |
| XV-2P/34 | 61 |
| XV-2P/40 | 63 |

| Standard bodies | | | | | | |
|----------------------|------------------|-------|-------|-------|-------|-------|
| Displacement cm3/rev | Standard threads | | | | | |
| | 4 | O - O | S - R | B - B | L - M | Z - Z |
| 6 | O - O | S - R | B - B | L - M | Z - Z | |
| 9 | O - O | S - R | B - B | L - M | Z - Z | |
| 11 | O - O | S - R | B - B | L - M | Z - Z | |
| 14 | P - O | S - R | C - B | L - M | Z - Z | |
| 17 | P - O | S - R | C - B | L - M | Z - Z | |
| 19 | P - O | S - R | C - B | L - M | Z - Z | |
| 22 | P - O | S - R | C - B | L - M | Z - Z | |
| 26 | Q - P | S - R | D - C | L - M | Z - Z | |
| 30 | Q - P | S - S | D - C | L - M | Z - Z | |
| 34 | Q - P | S - S | D - C | L - M | Z - Z | |
| 40 | Q - P | S - S | D - C | L - M | Z - Z | |

Table showing standard flange and thread combinations available in stock

| | | |
|-------------------|--|----------|
| | | N |
| Internal drainage | | |
| | | O |
| External drainage | | |

| Body (threads/flanges) | | | | | | | | | | | | | |
|------------------------|----------|--|----------|--|----------|--|----------|--|----------|--|----------|--------------------|----------|
| | A | | B | | C | | D | | E | | F | | G |
| | H | | I | | L | | M | | N | | O | | P |
| | Q | | R | | S | | T | | U | | V | Closed Body | Z |