

reversible pump - series XV

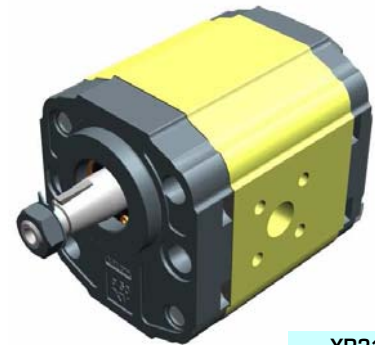
XV-2R

BH TYPE PUMP

ø50 BODY-SHAPED FLANGE - TAPER SHAFT

X 2 R 51 07 F R R E

Series	X	series XV
Group	2	group 2
Category	R	reversible pump
Displacement	51	17
Flange	07	Ø50 BH GERMAN STANDARDIZED reversible rotation
Shaft	F	CO002 - Tapered 1:5 - ø17.4 - M12x1.5 - key thk.3
Body	IN	inlet - Ø35 a 45° Ø15 M6
	OUT	outlet - Ø35 a 45° Ø15 M6
Cover	E	with external drainage



XR210

Technical data table

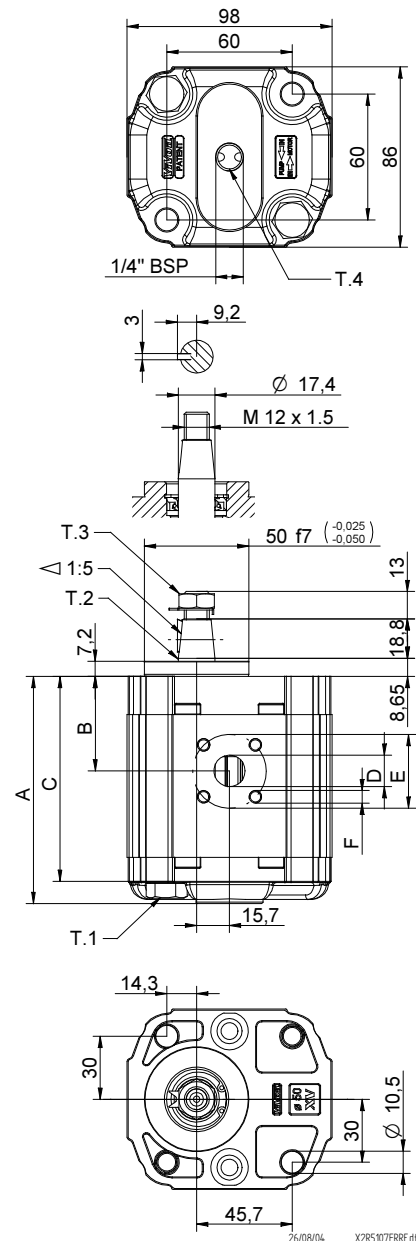
TYPE	Displacement cm3/rev	Max. Pressure		CODE	
		P1 bar	P3 bar	External drainage	Internal drainage
XV-2R/04	4,20	260	300	X 2 R 41 07 F R R E	X 2 R 41 07 F R R F
XV-2R/06	6,00	260	300	X 2 R 43 07 F R R E	X 2 R 43 07 F R R F
XV-2R/09	8,40	260	300	X 2 R 45 07 F R R E	X 2 R 45 07 F R R F
XV-2R/11	10,80	260	300	X 2 R 47 07 F R R E	X 2 R 47 07 F R R F
XV-2R/14	14,40	250	290	X 2 R 49 07 F R R E	X 2 R 49 07 F R R F
XV-2R/17	16,80	230	270	X 2 R 51 07 F R R E	X 2 R 51 07 F R R F
XV-2R/19	19,20	210	250	X 2 R 53 07 F R R E	X 2 R 53 07 F R R F
XV-2R/22	22,80	200	240	X 2 R 55 07 F R R E	X 2 R 55 07 F R R F
XV-2R/26	26,20	170	210	X 2 R 57 07 F S S E	X 2 R 57 07 F S S F
XV-2R/30	30,00	160	200	X 2 R 59 07 F S S E	X 2 R 59 07 F S S F
XV-2R/34	34,20	150	190	X 2 R 61 07 F S S E	X 2 R 61 07 F S S F
XV-2R/40	39,60	140	180	X 2 R 63 07 F S S E	X 2 R 63 07 F S S F

P1) Max. working pressure - P3) Max. peak pressure

For heavy-duty applications, it is recommended to check the admissible torque of the shaft

Dimensions table

TYPE	Weight kg	A	B	C	D	E	F	D	E	F
		mm	mm	mm	IN			OUT		
XV-2R/04	2,100	87,2	38,6	77,2	ø15	35	M6x1	ø15	35	M6x1
XV-2R/06	2,200	90,2	38,6	80,2	ø15	35	M6x1	ø15	35	M6x1
XV-2R/09	2,300	94,2	40,6	84,2	ø15	35	M6x1	ø15	35	M6x1
XV-2R/11	2,400	98,2	45,0	88,2	ø15	35	M6x1	ø15	35	M6x1
XV-2R/14	2,600	104,2	45,0	94,2	ø15	35	M6x1	ø15	35	M6x1
XV-2R/17	2,700	108,2	45,0	98,2	ø15	35	M6x1	ø15	35	M6x1
XV-2R/19	2,800	112,2	45,0	102,2	ø15	35	M6x1	ø15	35	M6x1
XV-2R/22	2,950	118,2	52,5	108,2	ø15	35	M6x1	ø15	35	M6x1
XV-2R/26	3,050	122,2	52,5	112,2	ø20	40	M6x1	ø20	40	M6x1
XV-2R/30	3,300	130,2	60,7	120,2	ø20	40	M6x1	ø20	40	M6x1
XV-2R/34	3,500	137,2	60,7	127,2	ø20	40	M6x1	ø20	40	M6x1
XV-2R/40	3,700	146,2	60,7	136,2	ø20	40	M6x1	ø20	40	M6x1



T.1 = 54÷58.9 [Nm] - screw tightening torque M10

T.3 = 40 [Nm] - torque wrench setting 19

T.2 = 233.2 [Nm] - admissible shaft torque (N.B. When choosing a shaft, always check the admissible torque).

T.4 = 0.3÷0.5 bar - max. drainage pressure

