

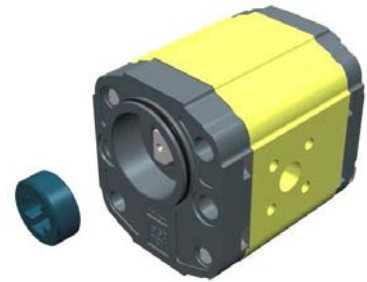
# reversible pump - series XV

# XV-2R

STANDARD GERMAN "BH" TYPE PUMP  
 ø52 BODY-SHAPED FLANGE - MILLED SHANK

**X 2 R 51 19 C R R E**

Series	X	series XV
Group	2	group 2
Category	R	reversible pump
Displacement	51	17
Flange	19	Ø52 GERMAN STANDARDIZED reversible rotation (with OR)
Shaft	C	CF001 - Milled shank ø15 - thk.8 ("BH" Standard German)
Body	IN	inlet - Ø35 a 45° Ø15 M6
	OUT	outlet - Ø35 a 45° Ø15 M6
Cover	E	with external drainage



XR216

Technical data table

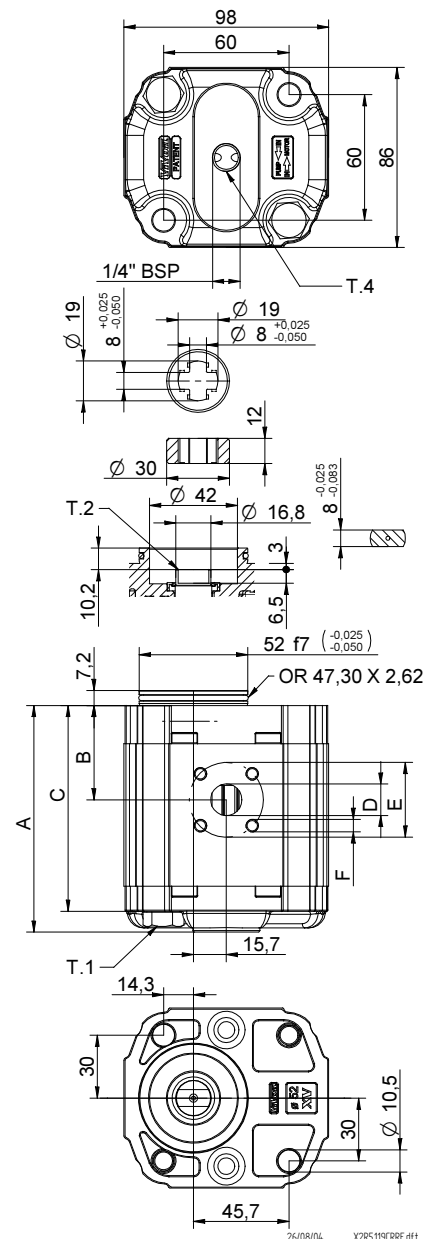
TYPE	Displacement cm3/rev	Max. Pressure		CODE	
		P1 bar	P3 bar	External drainage	Internal drainage
XV-2R/04	4,20	260	300	X 2 R 41 19 C R R E	X 2 R 41 19 C R R F
XV-2R/06	6,00	260	300	X 2 R 43 19 C R R E	X 2 R 43 19 C R R F
XV-2R/09	8,40	260	300	X 2 R 45 19 C R R E	X 2 R 45 19 C R R F
XV-2R/11	10,80	260	300	X 2 R 47 19 C R R E	X 2 R 47 19 C R R F
XV-2R/14	14,40	250	290	X 2 R 49 19 C R R E	X 2 R 49 19 C R R F
XV-2R/17	16,80	230	270	X 2 R 51 19 C R R E	X 2 R 51 19 C R R F
XV-2R/19	19,20	210	250	X 2 R 53 19 C R R E	X 2 R 53 19 C R R F
XV-2R/22	22,80	200	240	X 2 R 55 19 C R R E	X 2 R 55 19 C R R F
XV-2R/26	26,20	170	210	X 2 R 57 19 C S S E	X 2 R 57 19 C S S F
XV-2R/30	30,00	160	200	X 2 R 59 19 C S S E	X 2 R 59 19 C S S F
XV-2R/34	34,20	150	190	X 2 R 61 19 C S S E	X 2 R 61 19 C S S F
XV-2R/40	39,60	140	180	X 2 R 63 19 C S S E	X 2 R 63 19 C S S F

P1) Max. working pressure - P3) Max. peak pressure

For heavy-duty applications, it is recommended to check the admissible torque of the shaft

Dimensions table

TYPE	Weight kg	A	B	C	D	E	F	D	E	F
		mm	mm	mm	IN			OUT		
XV-2R/04	2,100	87,2	38,6	77,2	ø15	35	M6x1	ø15	35	M6x1
XV-2R/06	2,200	90,2	38,6	80,2	ø15	35	M6x1	ø15	35	M6x1
XV-2R/09	2,300	94,2	40,6	84,2	ø15	35	M6x1	ø15	35	M6x1
XV-2R/11	2,400	98,2	45,0	88,2	ø15	35	M6x1	ø15	35	M6x1
XV-2R/14	2,600	104,2	45,0	94,2	ø15	35	M6x1	ø15	35	M6x1
XV-2R/17	2,700	108,2	45,0	98,2	ø15	35	M6x1	ø15	35	M6x1
XV-2R/19	2,800	112,2	45,0	102,2	ø15	35	M6x1	ø15	35	M6x1
XV-2R/22	2,950	118,2	52,5	108,2	ø15	35	M6x1	ø15	35	M6x1
XV-2R/26	3,050	122,2	52,5	112,2	ø20	40	M6x1	ø20	40	M6x1
XV-2R/30	3,300	130,2	60,7	120,2	ø20	40	M6x1	ø20	40	M6x1
XV-2R/34	3,500	137,2	60,7	127,2	ø20	40	M6x1	ø20	40	M6x1
XV-2R/40	3,700	146,2	60,7	136,2	ø20	40	M6x1	ø20	40	M6x1



T.1 = 54÷58.9 [Nm] - screw tightening torque M10

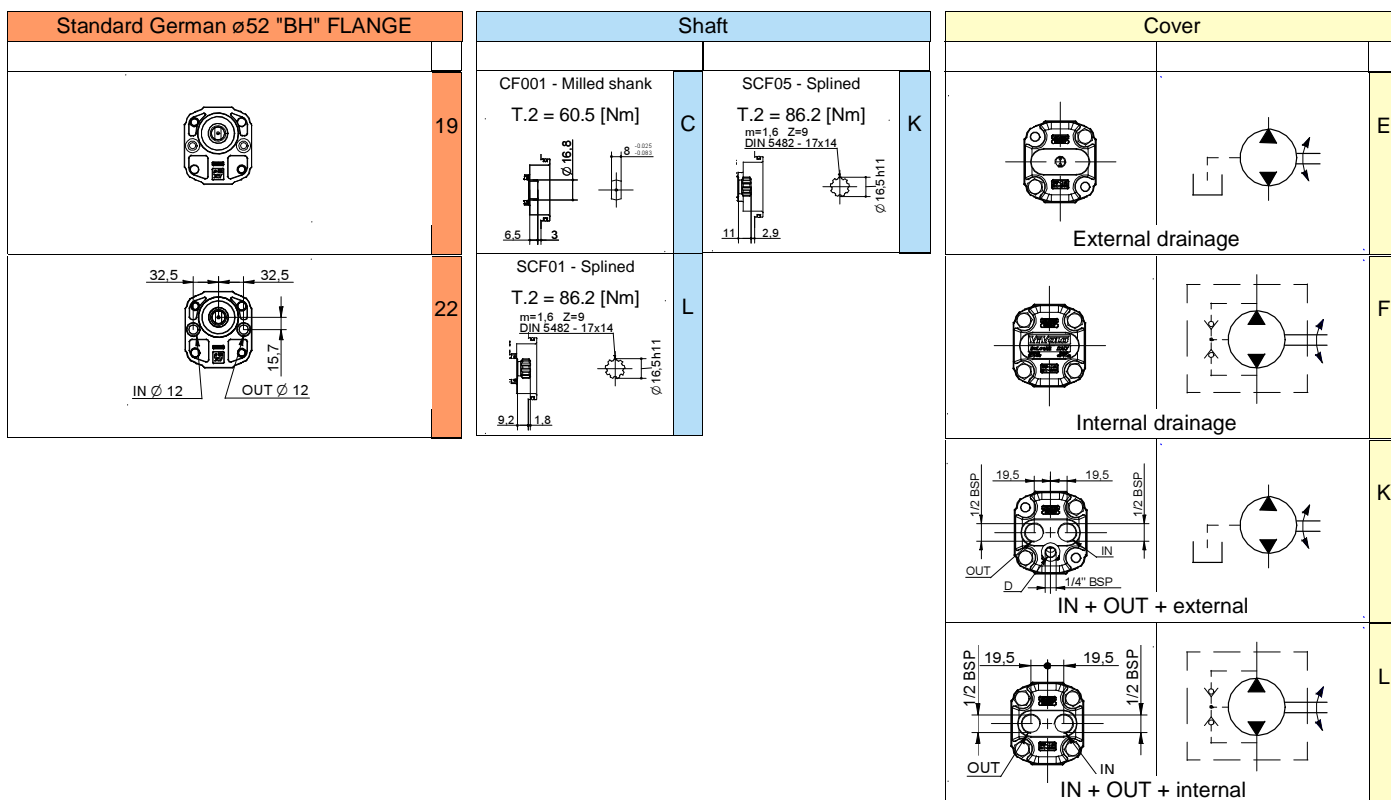
T.2 = 60.5 [Nm] - admissible shaft torque (N.B. When choosing a shaft, always check the admissible torque).

T.4 = 0.3÷0.5 bar - max. drainage pressure

# Table of variations

**XV-2R**

## Standard German ø52 "BH" FLANGE



Displacement	
TYPE	CODE
XV-2R/04	41
XV-2R/06	43
XV-2R/09	45
XV-2R/11	47
XV-2R/14	49
XV-2R/17	51
XV-2R/19	53
XV-2R/22	55
XV-2R/26	57
XV-2R/30	59
XV-2R/34	61
XV-2R/40	63

Standard bodies				
Displacement cm <sup>3</sup> /rev	Standard threads			
	4	O - O	R - R	B - B
6	O - O	R - R	B - B	Z - Z
9	O - O	R - R	B - B	Z - Z
11	O - O	R - R	B - B	Z - Z
14	P - P	R - R	C - C	Z - Z
17	P - P	R - R	C - C	Z - Z
19	P - P	R - R	C - C	Z - Z
22	P - P	R - R	C - C	Z - Z
26	Q - P	S - S	D - D	Z - Z
30	Q - P	S - S	D - D	Z - Z
34	Q - P	S - S	D - D	Z - Z
40	Q - P	S - S	D - D	Z - Z

Table showing standard flange and thread combinations available in stock

