

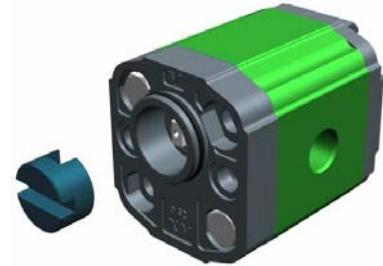
unidirectional motor - series XV

XV-1U

STANDARD GERMAN "BH" TYPE MOTOR
 ø32 BODY-SHAPED FLANGE - MILLED SHANK

X 1 U 25 32 C B B A

Series	X	series XV
Group	1	group 1
Category	U	unidirectional motor
Displacement	25	3.8
Flange	32	Ø32 BH GERMAN STANDARDIZED right rotation
Shaft	C	CF001 - Milled shank ø10 - thk.5 ("BH" Standard German)
Body	IN	inlet - 3/8" GAS
	OUT	outlet - 3/8" GAS
Cover	A	standard



XU161

Technical data table

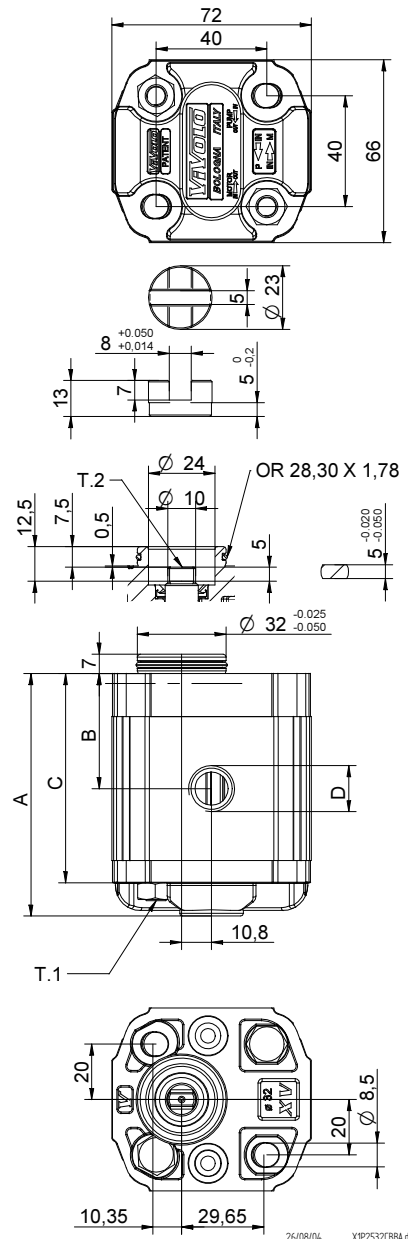
TYPE	Displacement cm3/rev	Max. Pressure		CODE	
		P1 bar	P3 bar	Left rotation	Right rotation
XV-1U/0.9	0,91	240	280	X 1 U 16 31 C B B A	X 1 U 16 32 C B B A
XV-1U/1.2	1,17	250	290	X 1 U 17 31 C B B A	X 1 U 17 32 C B B A
XV-1U/1.7	1,56	250	290	X 1 U 18 31 C B B A	X 1 U 18 32 C B B A
XV-1U/2.2	2,08	250	290	X 1 U 20 31 C B B A	X 1 U 20 32 C B B A
XV-1U/2.6	2,60	250	300	X 1 U 21 31 C B B A	X 1 U 21 32 C B B A
XV-1U/3.2	3,12	250	300	X 1 U 23 31 C B B A	X 1 U 23 32 C B B A
XV-1U/3.8	3,64	250	300	X 1 U 25 31 C B B A	X 1 U 25 32 C B B A
XV-1U/4.3	4,16	250	300	X 1 U 27 31 C B B A	X 1 U 27 32 C B B A
XV-1U/4.9	4,94	250	300	X 1 U 29 31 C B B A	X 1 U 29 32 C B B A
XV-1U/5.9	5,85	250	300	X 1 U 31 31 C B B A	X 1 U 31 32 C B B A
XV-1U/6.5	6,50	250	300	X 1 U 32 31 C B B A	X 1 U 32 32 C B B A
XV-1U/7.8	7,54	220	260	X 1 U 34 31 C B B A	X 1 U 34 32 C B B A
XV-1U/9.8	9,88	190	230	X 1 U 36 31 C B B A	X 1 U 36 32 C B B A

P1) Max. working pressure - P3) Max. peak pressure

For heavy-duty applications, it is recommended to check the admissible torque of the shaft

Dimensions table

TYPE	Weight kg	A	B	C	D	D
		mm	mm	mm	IN	OUT
XV-1U/0.9	0,950	77,1	36,3	65,1	3/8" BSPP	3/8" BSPP
XV-1U/1.2	0,970	78,0	36,8	66,0	3/8" BSPP	3/8" BSPP
XV-1U/1.7	1,010	79,5	37,5	67,5	3/8" BSPP	3/8" BSPP
XV-1U/2.2	1,030	81,5	38,5	69,5	3/8" BSPP	3/8" BSPP
XV-1U/2.6	1,060	83,5	39,5	71,5	3/8" BSPP	3/8" BSPP
XV-1U/3.2	1,090	85,5	40,5	73,5	3/8" BSPP	3/8" BSPP
XV-1U/3.8	1,120	87,5	41,5	75,5	3/8" BSPP	3/8" BSPP
XV-1U/4.3	1,170	89,5	42,5	77,5	3/8" BSPP	3/8" BSPP
XV-1U/4.9	1,200	92,5	44,0	80,5	3/8" BSPP	3/8" BSPP
XV-1U/5.9	1,260	96,0	45,8	84,0	3/8" BSPP	3/8" BSPP
XV-1U/6.5	1,300	97,5	47,0	85,5	3/8" BSPP	3/8" BSPP
XV-1U/7.8	1,360	102,5	49,0	90,5	3/8" BSPP	3/8" BSPP
XV-1U/9.8	1,500	111,5	53,5	99,5	3/8" BSPP	3/8" BSPP



T.1 = 24.5÷29.4 [Nm] - screw tightening torque M8

T.2 = 13.8 [Nm] - admissible shaft torque (N.B. When choosing a shaft, always check the admissible torque).

Table of variations

XV-1U

Standard German ø32 "BH" FLANGE

Standard German ø32 "BH" FLANGE				Shaft		Cover			
Left rotation		Right rotation				Left rotation	Right rotation		
	31		32	CF001 - Milled shank T.2 = 13.8 [Nm] 	C	SCF01 - Splined T.2 = 42.8 [Nm] m=0,75 Z=15 			A
	33		34	SCF03 - Splined T.2 = 42.8 [Nm] m=0,75 Z=15 	R				B
	35		36						C
	37		38						D

Displacement	
TYPE	CODE
XV-1U/0.9	16
XV-1U/1.2	17
XV-1U/1.7	18
XV-1U/2.2	20
XV-1U/2.6	21
XV-1U/3.2	23
XV-1U/3.8	25
XV-1U/4.3	27
XV-1U/4.9	29
XV-1U/5.9	31
XV-1U/6.5	32
XV-1U/7.8	34
XV-1U/9.8	36

Displacement cm3/rev	Standard bodies						
	Standard threads						
0.9	I - I	B - B	J - J	B - Z	Z - Z	G - F	
1.2	I - I	B - B	J - J	B - Z	Z - Z	G - F	
1.7	I - I	B - B	J - J	B - Z	Z - Z	G - F	
2.2	I - I	B - B	J - J	B - Z	Z - Z	G - F	
2.6	I - I	B - B	J - J	B - Z	Z - Z	G - F	
3.2	I - I	B - B	J - J	B - Z	Z - Z	G - F	
3.8	I - I	B - B	J - J	B - Z	Z - Z	G - F	
4.3	I - I	B - B	J - J	B - Z	Z - Z	G - F	
4.9	I - I	B - B	J - J	B - Z	Z - Z	G - F	
5.9	I - I	B - B	J - J	B - Z	Z - Z	G - F	
6.5	I - I	B - B	J - J	B - Z	Z - Z	G - F	
7.8	I - I	B - B	J - J	B - Z	Z - Z	G - F	
9.8	I - I	B - B	J - J	B - Z	Z - Z	G - F	

Table showing standard flange and thread combinations available in stock

		N
Internal drainage		
		O
External drainage		

Body (threads/flanges)							
	A		B		C		D
	E		F		G		
	H		I		J	Closed Body	Z