

unidirectional motor - series XV

XV-3U

SAE B TYPE MOTOR
ø101.6 FLANGE - SPLINED SHAFT

X 3 U 78 32 I E E A

| | | |
|--------------|-----|--|
| Series | X | series XV |
| Group | 3 | group 3 |
| Category | U | unidirectional motor |
| Displacement | 78 | 38 |
| Flange | 32 | ø101.6 SAE B right rotation |
| Shaft | I | SCF04 - Splined ø21.81 z=13, H=33.55 SAE J498-13T -16/32DP (SAE B) |
| Body | IN | inlet - 1" BSP |
| | OUT | outlet - 1" BSP |
| Cover | A | standard |



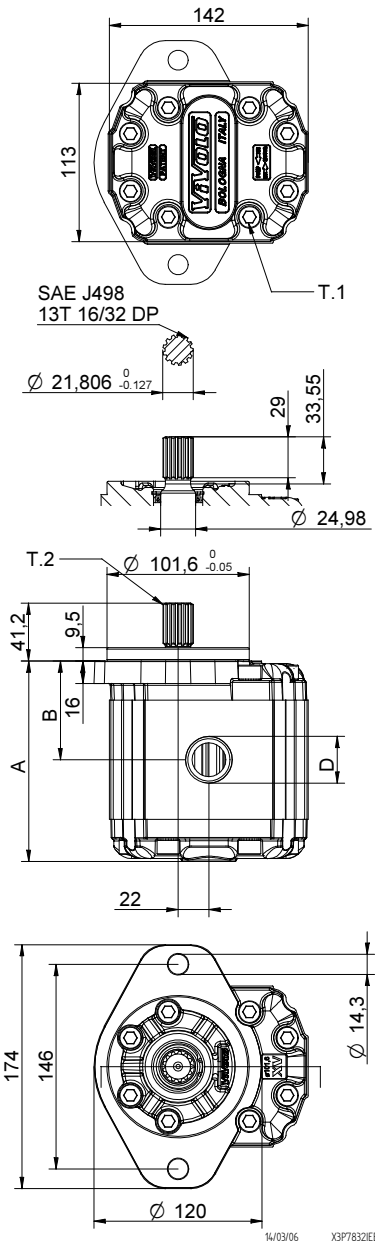
XU331

| Technical data table | | | | | | |
|----------------------|-------------------------|---------------|--------|---------------------|---------------------|--|
| TYPE | Displacement cm3/rev | Max. Pressure | | CODE | | |
| | | P1 bar | P3 bar | Left rotation | Right rotation | |
| XV-3U/15 | 14,89 | 250 | 270 | X 3 U 66 31 I D D A | X 3 U 66 32 I D D A | |
| XV-3U/18 | 17,37 | 250 | 270 | X 3 U 68 31 I D D A | X 3 U 68 32 I D D A | |
| XV-3U/21 | 21,10 | 250 | 270 | X 3 U 70 31 I D D A | X 3 U 70 32 I D D A | |
| XV-3U/27 | 26,97 | 250 | 270 | X 3 U 72 31 I E E A | X 3 U 72 32 I E E A | |
| XV-3U/32 | 32,27 | 250 | 270 | X 3 U 74 31 I E E A | X 3 U 74 32 I E E A | |
| XV-3U/38 | 38,47 | 250 | 270 | X 3 U 78 31 I E E A | X 3 U 78 32 I E E A | |
| XV-3U/43 | 43,44 | 250 | 270 | X 3 U 79 31 I E E A | X 3 U 79 32 I E E A | |
| XV-3U/47 | 47,16 | 230 | 250 | X 3 U 80 31 I E E A | X 3 U 80 32 I E E A | |
| XV-3U/51 | 50,88 | 230 | 250 | X 3 U 81 31 I E E A | X 3 U 81 32 I E E A | |
| XV-3U/54 | 54,60 | 230 | 250 | X 3 U 82 31 I E E A | X 3 U 82 32 I E E A | |
| XV-3U/61 | 60,81 | 230 | 250 | X 3 U 83 31 I F F A | X 3 U 83 32 I F F A | |
| XV-3U/64 | 64,53 | 210 | 230 | X 3 U 85 31 I F F A | X 3 U 85 32 I F F A | |
| XV-3U/70 | 70,74 | 200 | 220 | X 3 U 86 31 I F F A | X 3 U 86 32 I F F A | |
| XV-3U/74 | 74,46 | 180 | 200 | X 3 U 87 31 I F F A | X 3 U 87 32 I F F A | |
| XV-3U/90 | 86,87 | 150 | 170 | X 3 U 89 31 I F F A | X 3 U 89 32 I F F A | |

P1) Max. working pressure - P3) Max. peak pressure

For heavy-duty applications, it is recommended to check the admissible torque of the shaft

| Dimensions table | | | | | |
|------------------|--------|-------|------|-------------|-------------|
| TYPE | Weight | A | B | D | D |
| | kg | mm | mm | IN | OUT |
| XV-3U/15 | 7,010 | 124,0 | 61,0 | 3/4" BSPP | 3/4" BSPP |
| XV-3U/18 | 7,070 | 126,0 | 62,0 | 3/4" BSPP | 3/4" BSPP |
| XV-3U/21 | 7,150 | 129,0 | 63,5 | 3/4" BSPP | 3/4" BSPP |
| XV-3U/27 | 7,250 | 133,0 | 65,5 | 1" BSPP | 1" BSPP |
| XV-3U/32 | 7,390 | 138,0 | 68,0 | 1" BSPP | 1" BSPP |
| XV-3U/38 | 7,520 | 143,0 | 70,5 | 1" BSPP | 1" BSPP |
| XV-3U/43 | 7,630 | 147,0 | 72,5 | 1" BSPP | 1" BSPP |
| XV-3U/47 | 7,710 | 150,0 | 74,0 | 1" BSPP | 1" BSPP |
| XV-3U/51 | 7,790 | 153,0 | 75,5 | 1" BSPP | 1" BSPP |
| XV-3U/54 | 7,870 | 156,0 | 77,0 | 1" BSPP | 1" BSPP |
| XV-3U/61 | 8,010 | 161,0 | 79,5 | 1" 1/4 BSPP | 1" 1/4 BSPP |
| XV-3U/64 | 8,090 | 164,0 | 81,0 | 1" 1/4 BSPP | 1" 1/4 BSPP |
| XV-3U/70 | 8,220 | 169,0 | 83,5 | 1" 1/4 BSPP | 1" 1/4 BSPP |
| XV-3U/74 | 8,300 | 172,0 | 85,0 | 1" 1/4 BSPP | 1" 1/4 BSPP |
| XV-3U/90 | 8,570 | 182,0 | 90,0 | 1" 1/4 BSPP | 1" 1/4 BSPP |



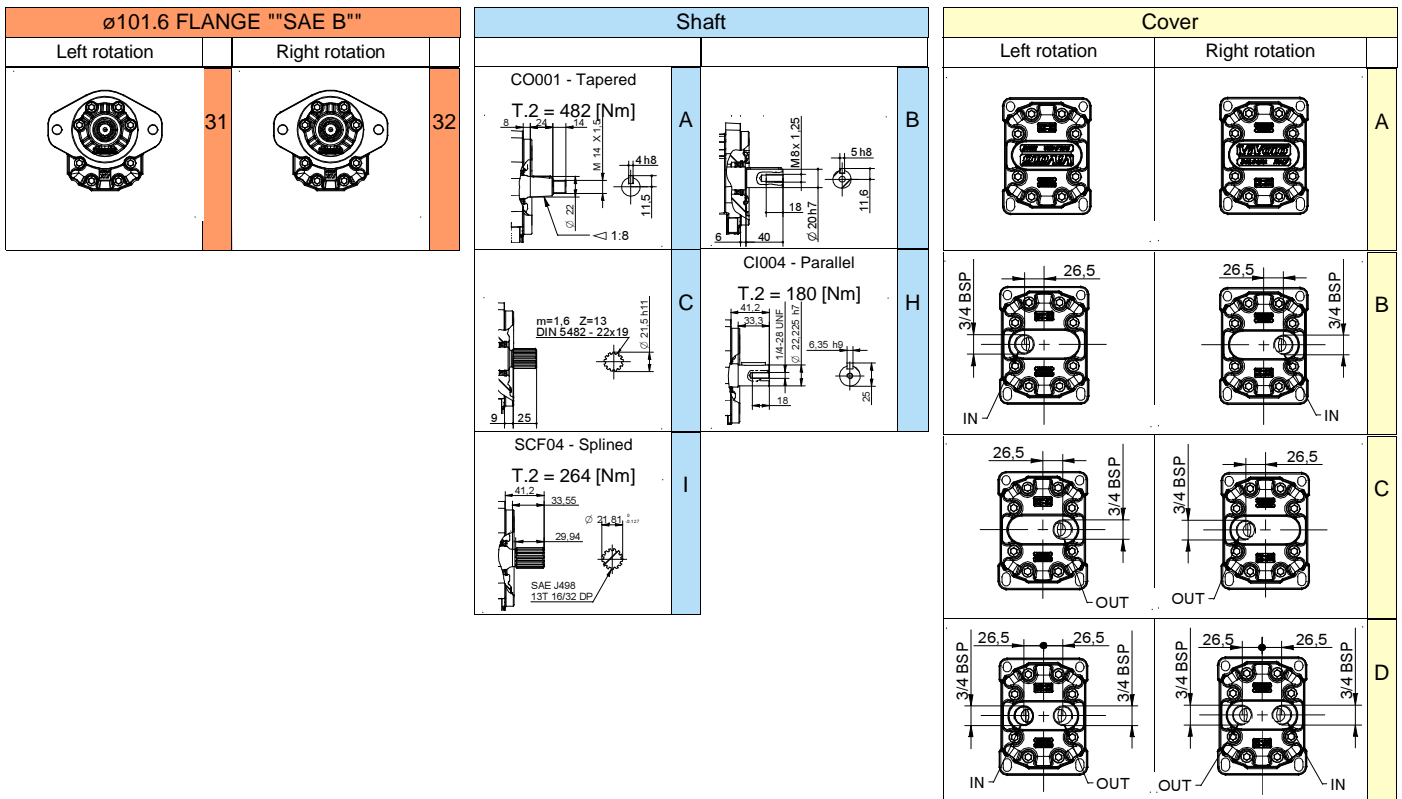
T.1 = 60÷65 [Nm] - screw tightening torque M10

T.2 = 264 [Nm] - admissible shaft torque (N.B. When choosing a shaft, always check the admissible torque).

Table of variations

XV-3U

ø101.6 FLANGE ""SAE B""



| Displacement | |
|--------------|------|
| TYPE | CODE |
| XV-3U/15 | 66 |
| XV-3U/18 | 68 |
| XV-3U/21 | 70 |
| XV-3U/27 | 72 |
| XV-3U/32 | 74 |
| XV-3U/38 | 78 |
| XV-3U/43 | 79 |
| XV-3U/47 | 80 |
| XV-3U/51 | 81 |
| XV-3U/54 | 82 |
| XV-3U/61 | 83 |
| XV-3U/64 | 85 |
| XV-3U/70 | 86 |
| XV-3U/74 | 87 |
| XV-3U/90 | 89 |

| Displacement cm3/rev | Standard bodies | | |
|----------------------|------------------|-------|-------|
| | Standard threads | | |
| 15 | A - A | D - D | H - H |
| 18 | A - A | D - D | H - H |
| 21 | A - A | D - D | H - H |
| 27 | A - A | E - E | H - H |
| 32 | B - B | E - E | H - H |
| 38 | B - B | E - E | H - H |
| 43 | B - B | E - E | H - H |
| 47 | B - B | E - E | H - H |
| 51 | B - B | E - E | H - H |
| 54 | B - B | E - E | H - H |
| 61 | C - C | F - F | |
| 64 | C - C | F - F | |
| 70 | C - C | F - F | |
| 74 | C - C | F - F | |
| 90 | C - C | F - F | |

Table showing standard flange and thread combinations available in stock

