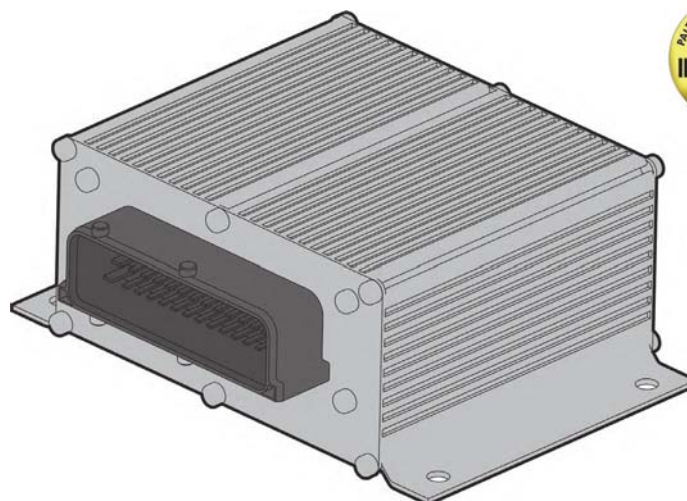




SMARTDRIVE™ EASY ECU



Electronic control units

Displays

Electronic components

Connectors

Cables

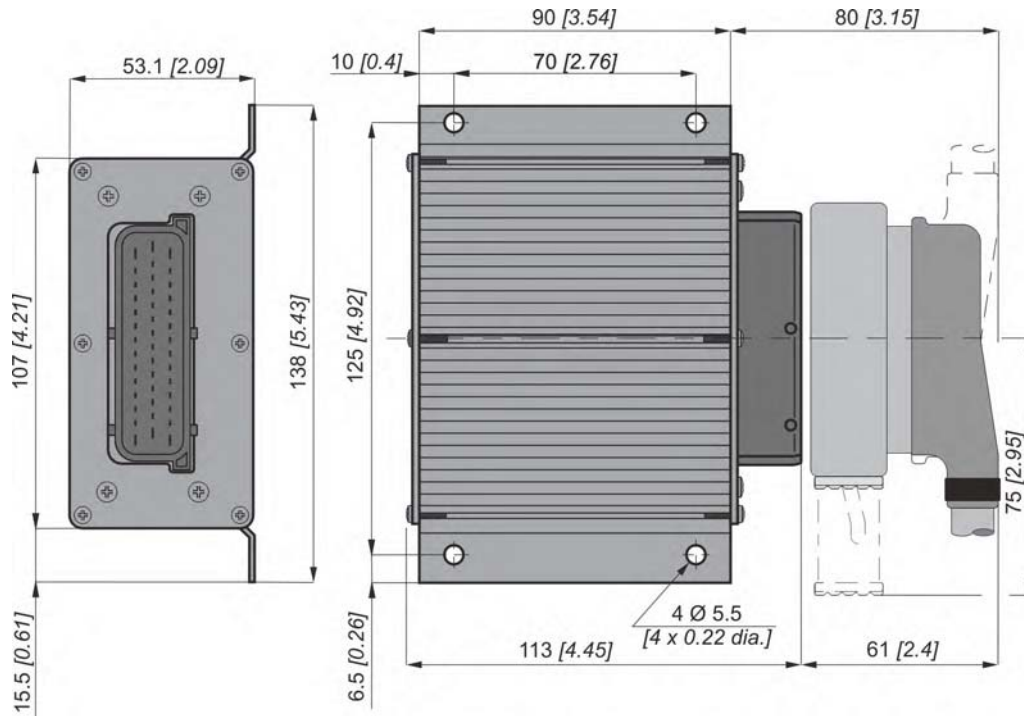
Model code	SD-EASY-PLUS	SD-AUTO	SD-EASY-EXTENDED	SD-AUTO-EXTENDED
Part number	B20252M	B20255Q	B20253N	B20256R

Features

Supply voltage	12 V DC 24 V DC			
Operating temperature	- 40°C à 85°C [-40°F à 185°F]			
Material	Aluminum			
Mass	0.5 kg [1.1 lb]			
Mounting	4 x Ø 5.5 mm 4 x [0.22" dia.]			
ECU regulator protection index with its connectors	IP 65(weather proofing)			
Maximum current	14 A			
Electrical protection	Excess voltage, reverse polarity, short circuit			
Microprocessor	16 bits			
Microprocessor frequency	25 MHz			
Flash memory	128 Ko		256 Ko	
ECU programming	Programming with a PC using the PHASES™ software application			
ECU set-up	Set-up with the software PHASES™ or the HHT			
Electromagnetic compatibility	<ul style="list-style-type: none"> • IEC CISPR 25 : Measure of electromagnetic and radiated emissions. • ISO 11452 : Susceptibility to the radiations of electric fields. • ISO 7637 : Immunity to transitory overvoltage. • ISO10605 : Immunity to electrostatic discharges. 			

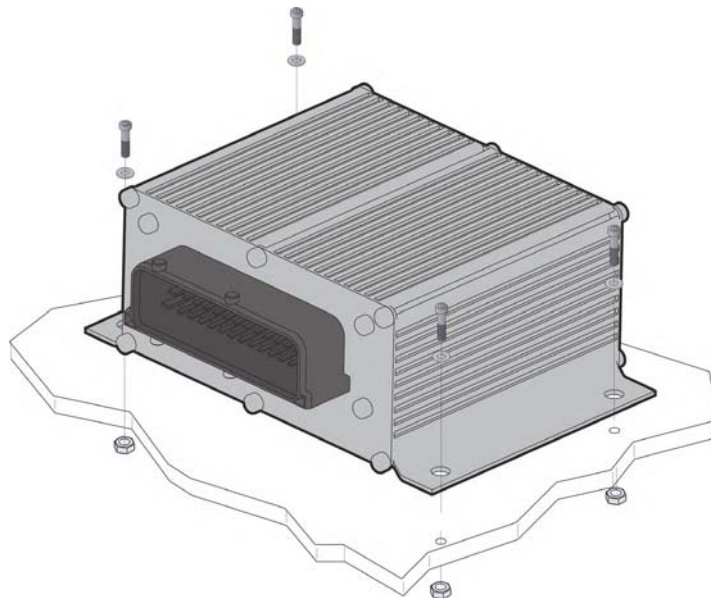




Overall dimensions of the ECU regulator



Installation

Chassis fixing



	Quantity	Class	 N.m [lb.ft] ± 10 %
M 5	4	8.8	10±1 [7.37±0.73]

Electrical connections	Commercial name	Part number
SmartDrive™ Easy cable	1 m CABLE-SD-EASY-42-1000	A20311C
	5 m CABLE-SD-EASY-42-5000	A20313E
42-pin connector	KIT-CONNECTEUR-MAIN-SD-EASY	A02809D
Communication male connector	KIT-CONNECTEUR-MALE-COM-SD	A50515H
Communication connector	COM-SD-CONNECTOR-PLUG	007142204Q
SmartDrive™ communication cable	1 m COM-CABLE-SD-1000	A20360F
	5 m COM-CABLE-SD-5000	A20361G