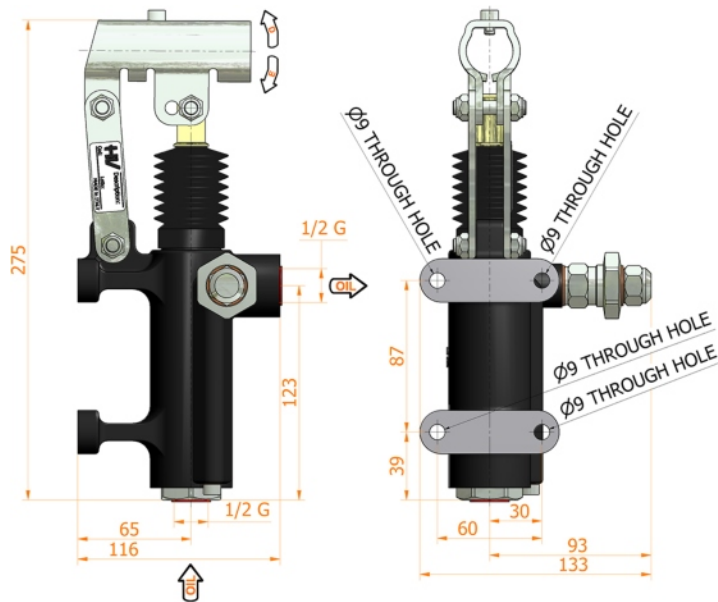
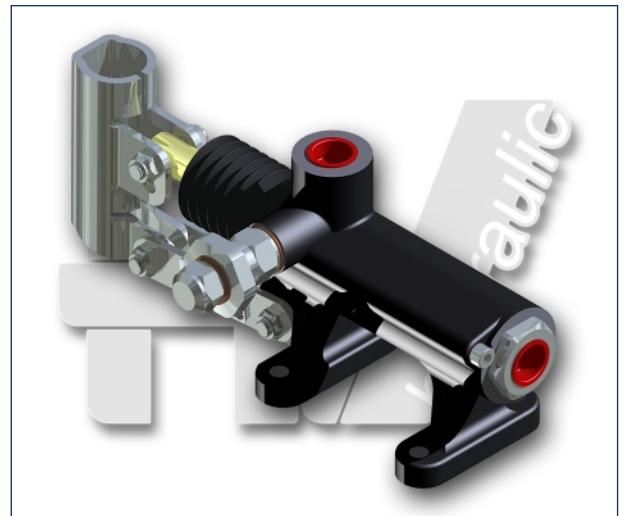
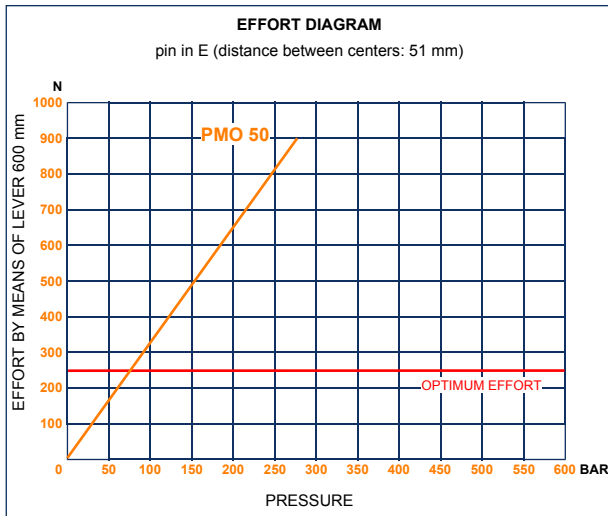
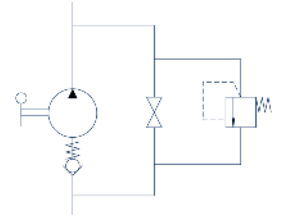




PMO 50 byB-s

with release hand knob
with pressure relief valve
double acting hand pump for single acting cylinder
for fixing to wall



- Specifications:**
- Cast iron body
 - Piston treated with Niploy
 - White zinc plated support lever
 - Lever connection Ø 27
 - White zinc plated external parts
 - Standard colour black
 - Pressure relief valve standard setting: 100 bar

DISPLACEMENT cm ³	A mm	B mm	C mm	D °	E °	ACTUAL DISPLACEMENT cm ³	PRESSURE BAR		MASS KG	CODE WITHOUT BELLOWS	CODE WITH BELLOWS
							OPTIMAL	MAX			
50	--	--	--	38	37	43,825	80	280	3,400	6077.0010	6077.0037