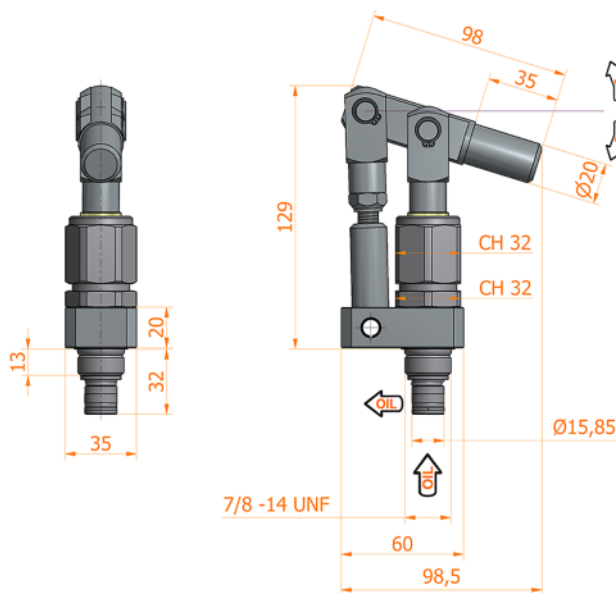
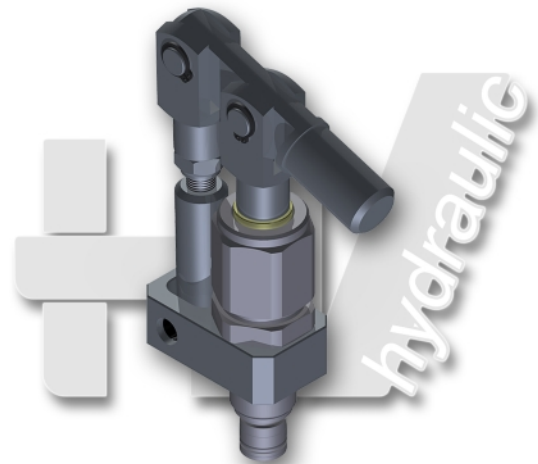
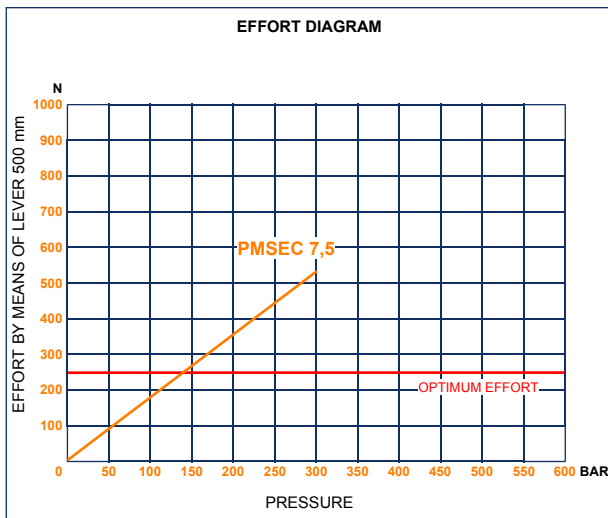
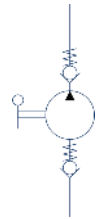




PMSEC 7,5 e

without release hand knob
single-acting version to operate a single-acting cylinder
for fixing to a wall



Specifications:

- Steel body
- Niploy coated piston
- White zinc plated support lever
- Lever connection Ø 20
- White zinc plated external parts

DISPLACEMENT cm ³	A mm	B mm	C mm	D °	E °	ACTUAL DISPLACEMENT cm ³	PRESSURE BAR		MASS KG	CODE WITHOUT BELLOWS	CODE WITH BELLOWS
							OPTIMAL	MAX			
7,5	--	--	--	33	17	8,470	140	300	1,069	6107.0000	--