

FSB

Port sizes: 1" 1/4 ÷ 4"

Flow rates: 10 ÷ 600 l/min

TECHNICAL DATA

Filter element collapse pressure:
standard: Δp 100 kPa (1 bar)

Working temperature: $-25 \div +110^{\circ}\text{C}$

MATERIALS

Cover:
aluminium

Housing:

FSB 110 and FSB 501 aluminium and polyamide

FSB 550 and FSB 560 aluminium

FSB 535 and FSB 540 steel

Seals: standard NBR

on request FKM

COMPATIBILITY (ISO 2943:1999)

Full with fluids: HH-HL-HM-HV-HTG

(according to ISO 6743/4).

For fluids different than the above mentioned, please contact our Sales Department.

All tests performed according to the following standards:

ISO 2941: Element collapse resistance test

ISO 2942: Production integrity test

ISO 2943: Fluids compatibility

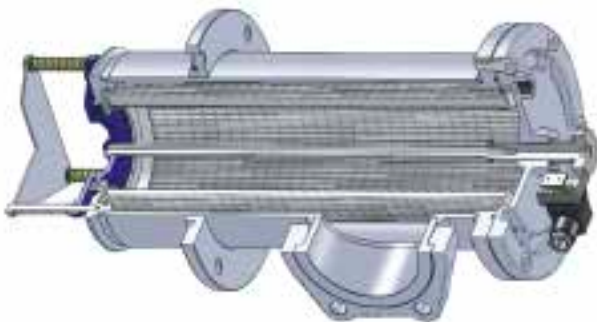
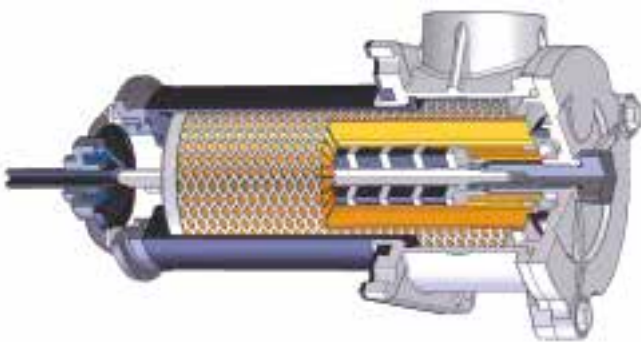
ISO 3723: End load test method

ISO 3724: Flow fatigue resistance method

ISO 3968: Pressure drop versus flow rate

ISO 16889: Multipass test.

For further information contact our Technical Dept.



HOW TO ORDER THE COMPLETE FILTER

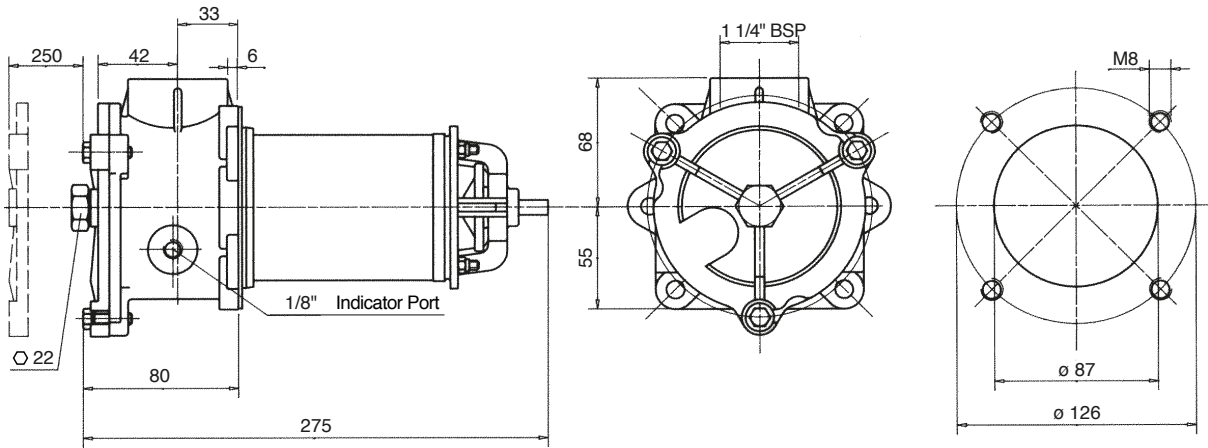
HOW TO ORDER THE FILTER ELEMENT

FSB	Type	110	501	550	535	560	540	Type	CSF
		110	510	515	535	520	540		
	Filter media							Filter media	
	CD = 10 μ Paper	CD	CD	-	CD	-	CD	CD = 10 μ Paper	
	CV = 25 μ	CV	CV	-	CV	-	CV	CV = 25 μ	
	RT = 30 μ	RT	RT	-	RT	-	RT	RT = 30 μ	
	MS = 60 μ Metall wire mesh	MS	MS	MS	MS	MS	MS	MS = 60 μ Metall wire mesh	
	MN = 90 μ	MN	MN	MN	MN	MN	MN	MN = 90 μ	
	DC = 250 μ	DC	DC	DC	DC	DC	DC	DC = 250 μ	
	Seals							Seals	0
	1 = NBR Nitrile	1	1	1	1	1	1	1 = NBR Nitrile	
	3 = Treatment for water-glycol	3	3	3	3	3	3	3 = Treatment for water-glycol	
0	Bypass type								
	0 = No bypass	0	0	0	0	0	0		
	Ports								
	B = BSP	B	B	-	-	-	-		
	F = SAE flange 3000 psi	-	F	F	F	F	F		
	Port size								
	6 = 1" 1/4	6	-	-	-	-	-		
	7 = 1" 1/2 only B	-	7	-	-	-	-		
	8 = 2" only F	-	8	-	-	-	-		
	9 = 2" 1/2 only F	-	9	-	-	-	-		
	A = 3"	-	-	A	A	-	-		
	C = 4"	-	-	-	-	C	C		
	Indicators								
	01= nr. 1 port 1/8" plugged	-	-	-	-	-	-	01	
	04= nr. 2 ports 1/8" plugged	04	04	04	04	04	04	-	
	10= Vacuum gauge	10	10	10	10	10	10	10	
	91= Vacuum switch	91	91	91	91	91	91	91	
	Accessories								
	S = Without	S	S	S	S	S	S	S	
	M = Magnetic core	-	M	M	M	M	M	M	
	Accessories								
	S = Without	S	S	S	S	S	S	S	
	E = Safety microswitch	-	E	E	E	E	E	E	

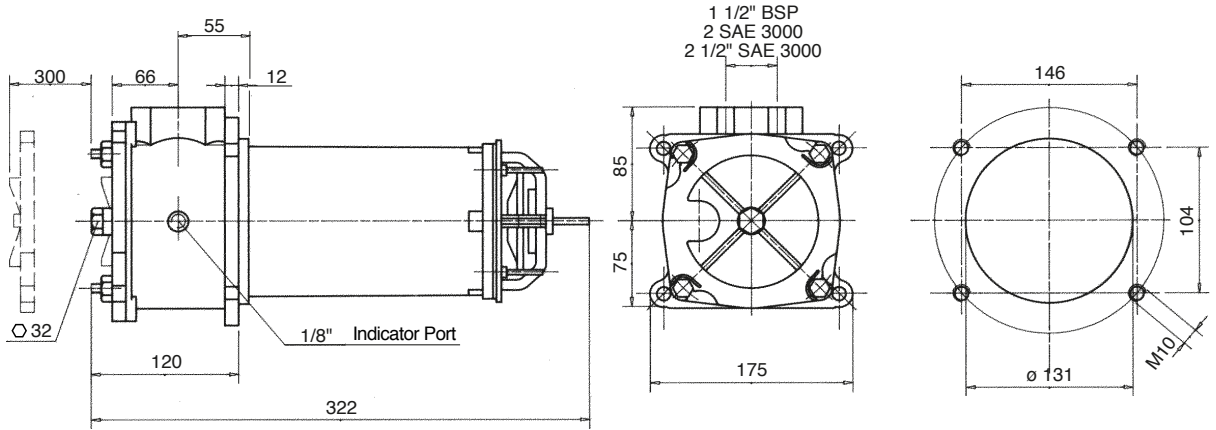
DIMENSIONAL LAYOUT

(mm)

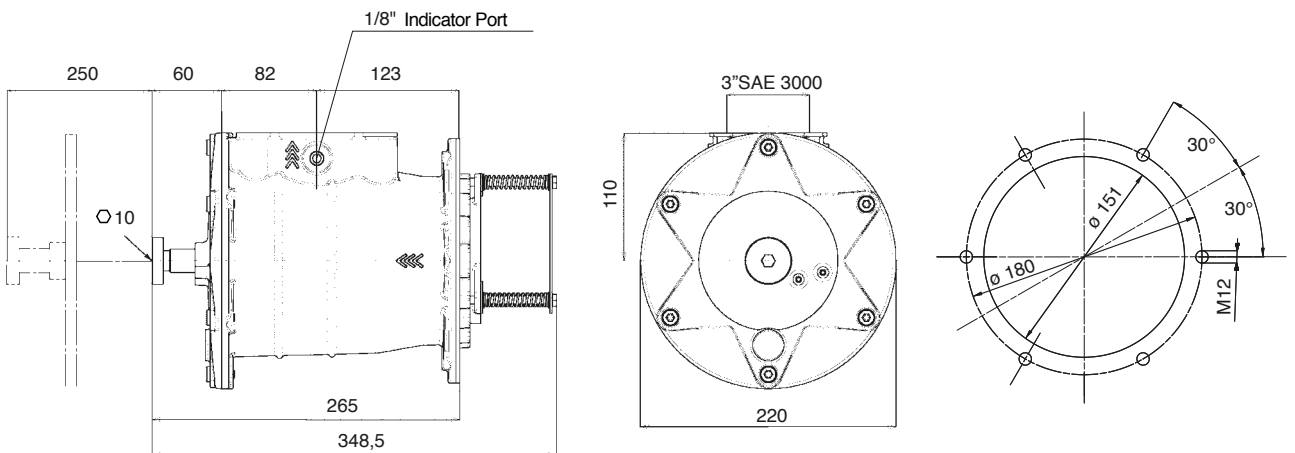
FSB 110



FSB 501



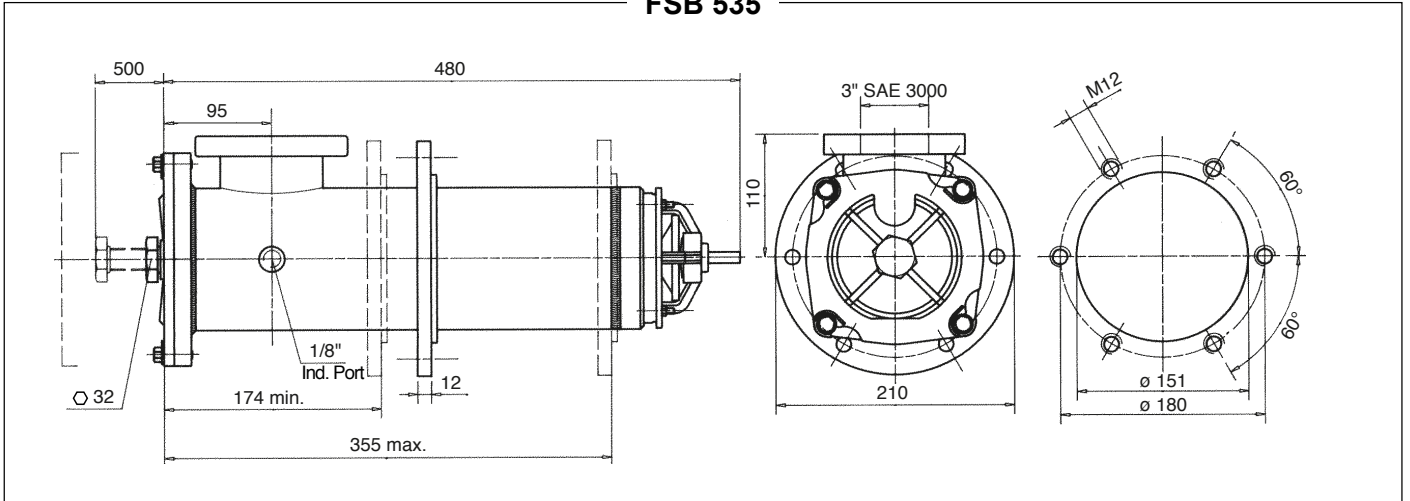
FSB 550



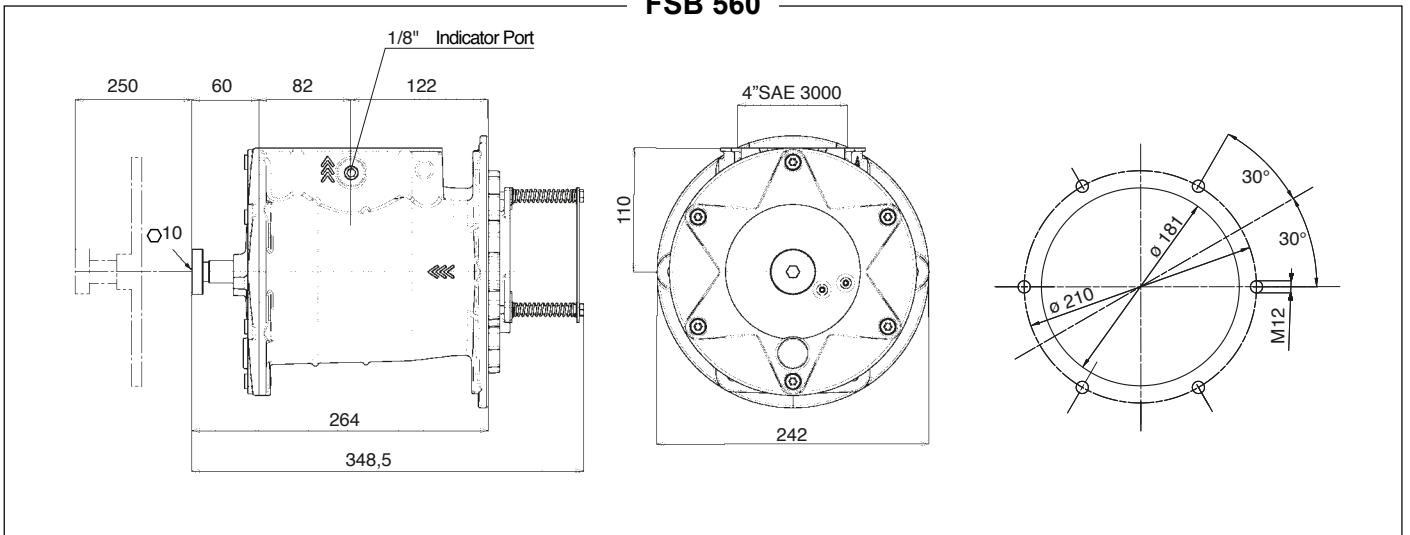
DIMENSIONAL LAYOUT

(mm)

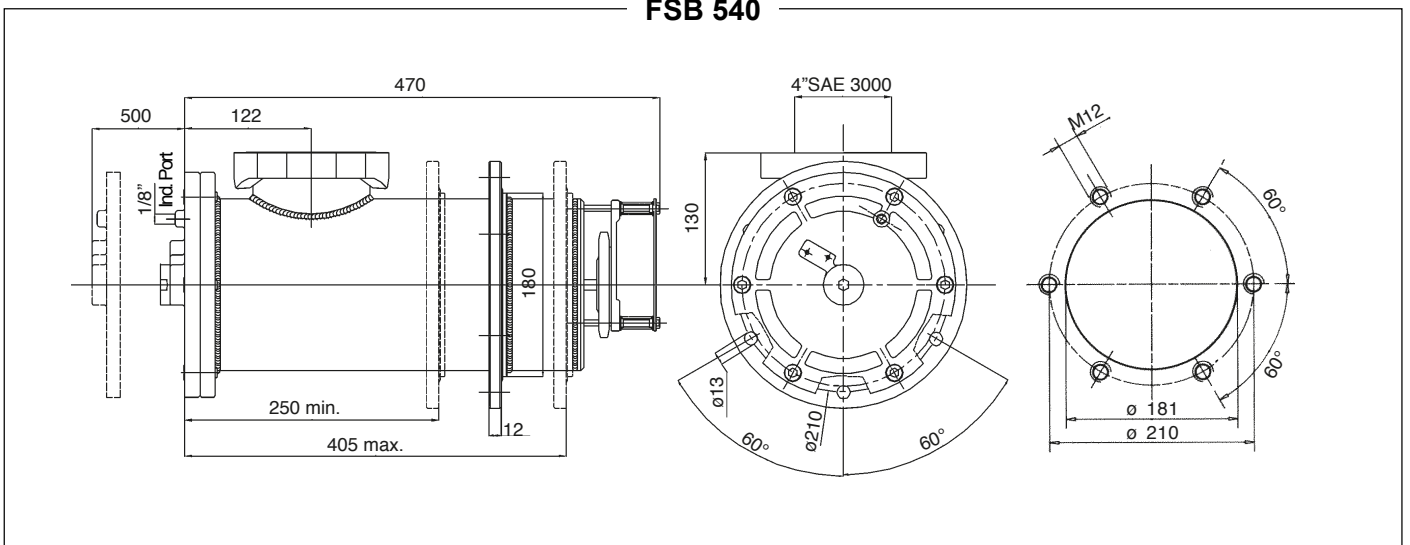
FSB 535



FSB 560



FSB 540



CLOGGING INDICATORS

NBR	FKM	Vacuum gauge	
10	-	Scale 0 ÷ 100 kPa (1 bar)	

NBR	FKM	Pressure switch	
91	-	Setting 20 kPa (0,2 bar)	
SPDT, C.C. 30V: > max resistive or inductive load 3A - 1A respectively C.A. 125 or 250V: > max resistive or inductive load 3A - 0,5A respectively Protection IP65 - Connector DIN 43650			

FLOW RATES

(l/min)

$\Delta p = 2 \text{ kPa (0,02 bar)}$

Type	Filter Media	$\Delta p 2 \text{ kPa (0,02 bar)}$	$\Delta p 4 \text{ kPa (0,04 bar)}$	$\Delta p 6 \text{ kPa (0,06 bar)}$
FSB 110	CD - CV	46	100	150
	RT	54	120	180
	MS - MN - DC	60	160	240
FSB 501	CD - CV	73	150	190
	RT	77	180	228
	MS - MN - DC	85	240	305
FSB 550	MS - MN - DC	160	260	320
FSB 535	CD - CV	160	200	250
	RT	195	240	300
	MS - MN - DC	210	320	400
FSB 560	MS - MN - DC	220	380	500
FSB 540	CD - CV	210	250	350
	RT	260	300	420
	MS - MN - DC	300	400	600

The reference fluid has a kinematic viscosity of 30 cSt and a density of 0,86 Kg/dm³.
 For different oil viscosity please contact our Sales Department for further information.

FILTER AREA

(cm²)

Type	Filter Media	
	CD - CV	RT - MS - MN - DC
CSF 110	2560	1600
CSF 510	3070	1845
CSF 515	-	2400
CSF 520	-	2600
CSF 535	5670	3545
CSF 540	8100	5065