

# CETOP-03 SIZE LEVER-OPERATED DISTRIBUTOR

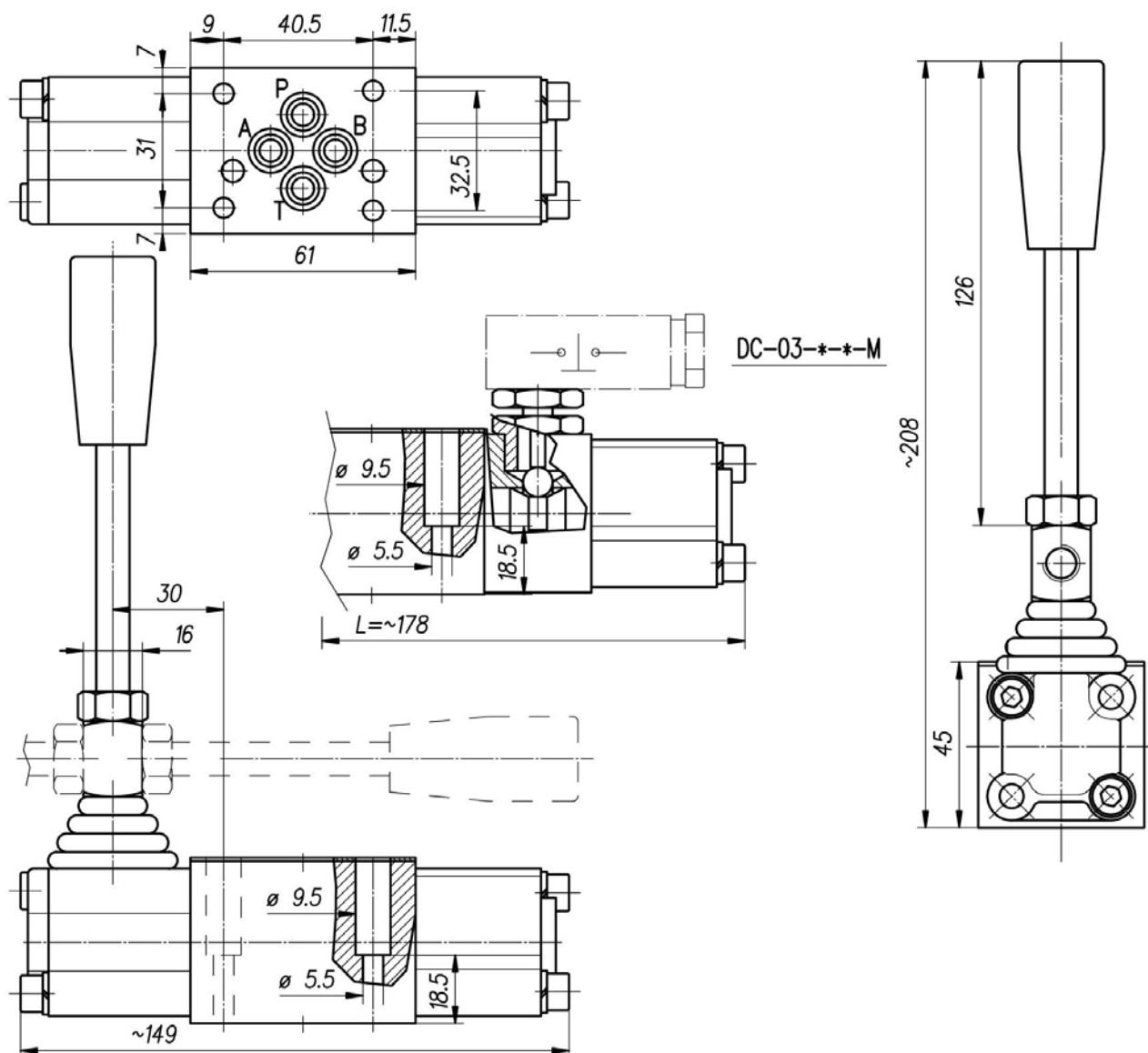


## Characteristics

TYPE	MAX PRESSURE	SUGGESTED MAX FLOW	WEIGHT
DC-03-**-*	350 bar	50 l/min	0.8 Kg.

**Description** Cetop-03 size, lever-operated, four-way, two or three- position, spool distributor.

## Dimensions



## Installation rules

- The distributors type DC-03 can be mounted in any position
- Fluid to be used: hydraulic oil in compliance with DIN 51524 rules, viscosity between 30 and 100 mm<sup>2</sup>/s (cSt) at 40°C
- Recommended filtration: 25 $\mu$
- Hydraulic fluid temperature: from -20° to +75°C

# CETOP-03 SIZE LEVER-OPERATED DISTRIBUTOR



## "A" TABLE

### Type of control

1	<p>3 positions, spring return to the center position</p>
2	<p>2 positions - spring return to the internal position</p>
4	<p>3 positions - with detent in three position</p>
5	<p>2 positions - with detent in two positions</p>
6	<p>2 positions - with detent in two positions</p>
6*/A	<p>2 positions - with detent in two positions</p>

## "B" TABLE

### Type of spool

0		5	
1		6	
3		7	
4			

## Ordering code

DC-03 - \* - \* -M

\_\_\_\_\_  
 -M equipped with microswitch (otherwise omit it)  
 \_\_\_\_\_  
 Spool type (see B table)  
 \_\_\_\_\_  
 Control type (see A table)  
 \_\_\_\_\_  
 Lever operated distributor