

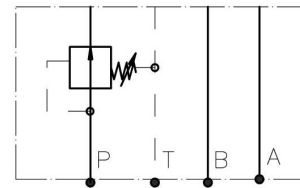
CETOP-03 SIZE MODULAR SEQUENCE VALVE



Characteristics

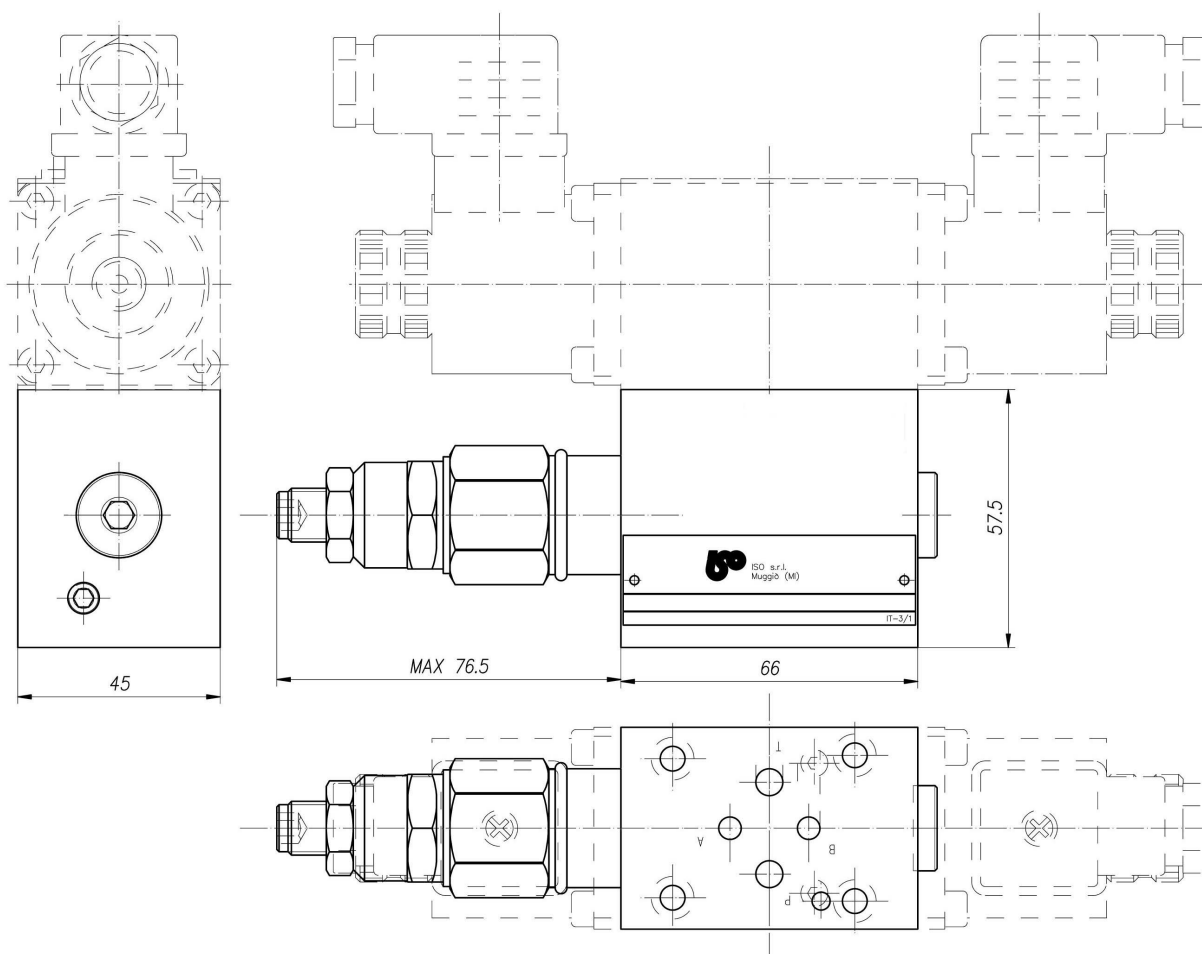
Symbol

TYPE	MAX FLOW	MAX PRESSURE	WEIGHT
IRS-03/P	40 l/min.	315 bar	Kg. 0.8



Description Cetop-03 size, modular sequence valve.
The reduced pressure setting is achieved by regulating the adjusting handle (clockwise it increases).

Dimensions



Installation rules

- The valves type IRS can be mounted in any position
- Fluid to be used: hydraulic oil in compliance with DIN 51524 rules, viscosity between 30 and 100 mm²/s (cSt) at 40°C
- Recommended filtration: 25μ
- Hydraulic fluid temperature: from -20° to +75°C

Ordering code

IRS-03/P ***

Setting range: **40**=3-40 bar **100**=3-100 bar
CETOP-03 size modular sequence valve