

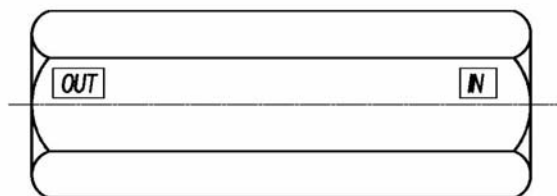
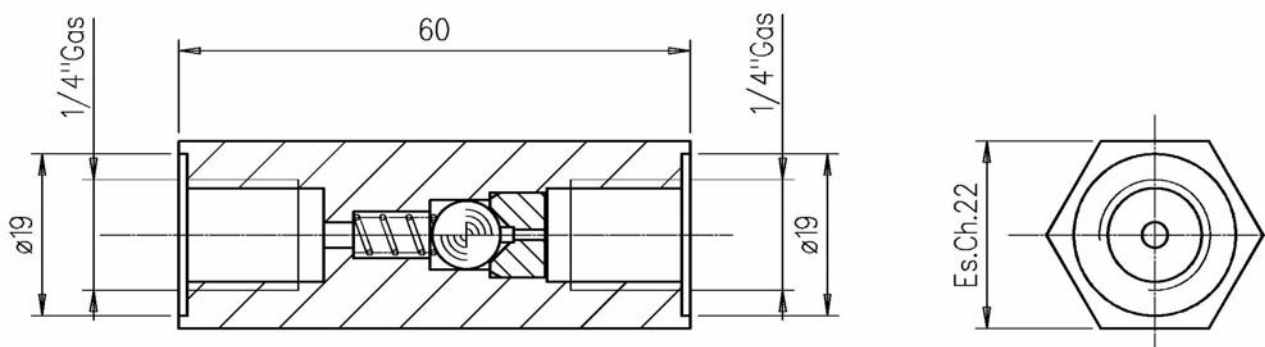


Characteristics

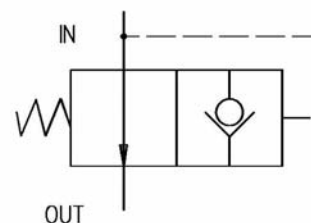
TYPE	SIZE	MIN FLOW	MAX PRESSURE
DRS-14	1/4" BSP	5 l/min.	350 bar

Description The use of DRS valves allows the complete elimination of air inside the circuits. It makes the priming of the pumps easier, it is particularly useful on pistons and vane pumps.

Dimensions



Symbol



Installation rules

- The valves type DRS are to be installed preferably with out upside.
- Fluid to be used: hydraulic oil in compliance with DIN 51524 rules, viscosity between 30 and 100 mm²/s (cSt) at 40°C
- Recommended filtration: 25μ
- Hydraulic fluid temperature: from -20° to +75°C

Ordering code

DRS - 14

14 = 1/4" BSP threads
Vent hole valve