

UNIDIRECTIONAL, SOLENOID OPERATED OPENING, CARTRIDGE CHECK VALVE



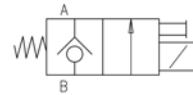
Characteristics

TYPE	PORT SIZE	MAX FLOW	OPERATING PRESSURE	WEIGHT	STANDARD VOLTAGE	
VAS-**-114	1 1/4" BSP	260 l/min	Max. 350 Bar	Kg. 2.1	DC 12-24-110 RAC	Other voltage on request

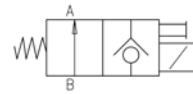
Description

Unidirectional pilot operated solenoid cartridge check valves. They allow perfect sealing in one direction and flow in the opposite one, when the solenoid is energized. ON-OFF electric control.

Symbol

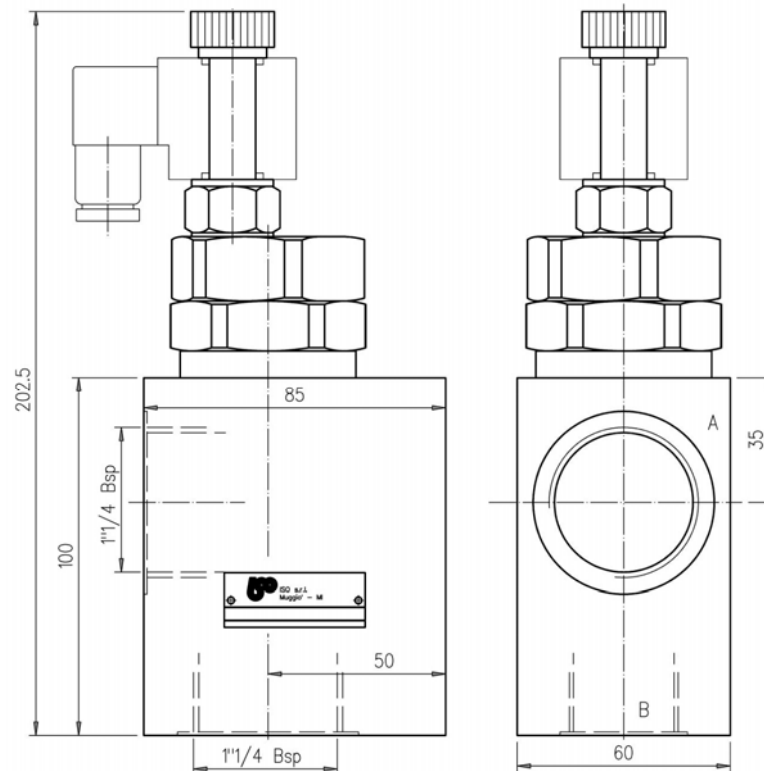


De-Energized	Energized
B ∇ A	B \rightarrow A
A \rightarrow B	A \rightarrow B



De-Energized	Energized
B \rightarrow A	B ∇ A
A \rightarrow B	A \rightarrow B

Dimensions



Installation rules

- The valves type VAS can be mounted in any direction
- Fluid to be used: hydraulic oil in compliance with DIN 51524 rules, viscosity between 30 and 100 mm²/s (cSt) at 40°C
- Recommended filtration: 25μ
- Hydraulic fluid temperature: from -20° to +75°C
- Feeding voltage tolerance around -10% +5%

Ordering code

VAS	-	**	-	114
				1 1/4" BSP ports
				NC = normally closed NA = normally opened
				ON-OFF two-way cartridge valve

Diagram

