

CARTRIDGE CHECK VALVE



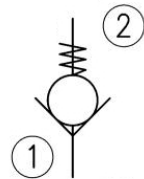
Characteristics

TYPE	SIZE	MAX. FLOW	MAX. PRESSURE	CRACKING PRESSURE	LOCKING TORQUE	WEIGHT
IRCR-14	1/4" Bsp	20 l./min.	350 bar	0.3 ; 1 ; 3 bar	6 Nm	0.013 Kg
IRCR-38	3/8" Bsp	30 l./min.			6 Nm	0.021 Kg
IRCR-12	1/2" Bsp	50 l./min.			10 Nm	0.041 Kg
IRCR-34	3/4" Bsp	80 l./min.			20 Nm	0.082 Kg

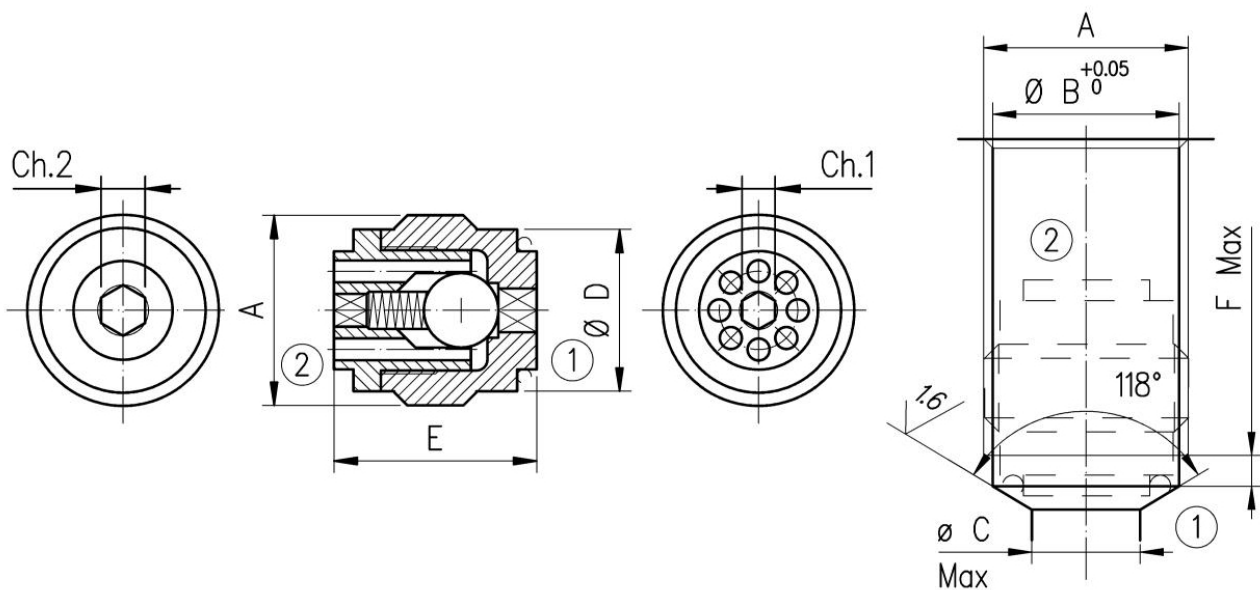
Description

The valves type IRCR allow free flow from '1' to '2' and stop it in the opposite direction. The mounting is made in a threaded recess with a shoulder at 118° to ensure a perfect seal. Due to the double seat of the seal, OR rings can be mounted on both sides. Max operating pressure is 350 bar. The body and seats are made of free-cutting steel, while the obturator is tempered and rectified.

Symbol



Valve cavity



Dimension

TYPE	A	B	C	D	E	F	Ch1	Ch2
IRCR-14	11.4	7	11.3	17	3	3	3	2.5
IRCR-38	14.9	9	14.8	18.5	3	4	4	3
IRCR-12	18.6	12	18.5	22.5	4	6	6	5
IRCR-34	24.1	17	24	28	5	8	8	8

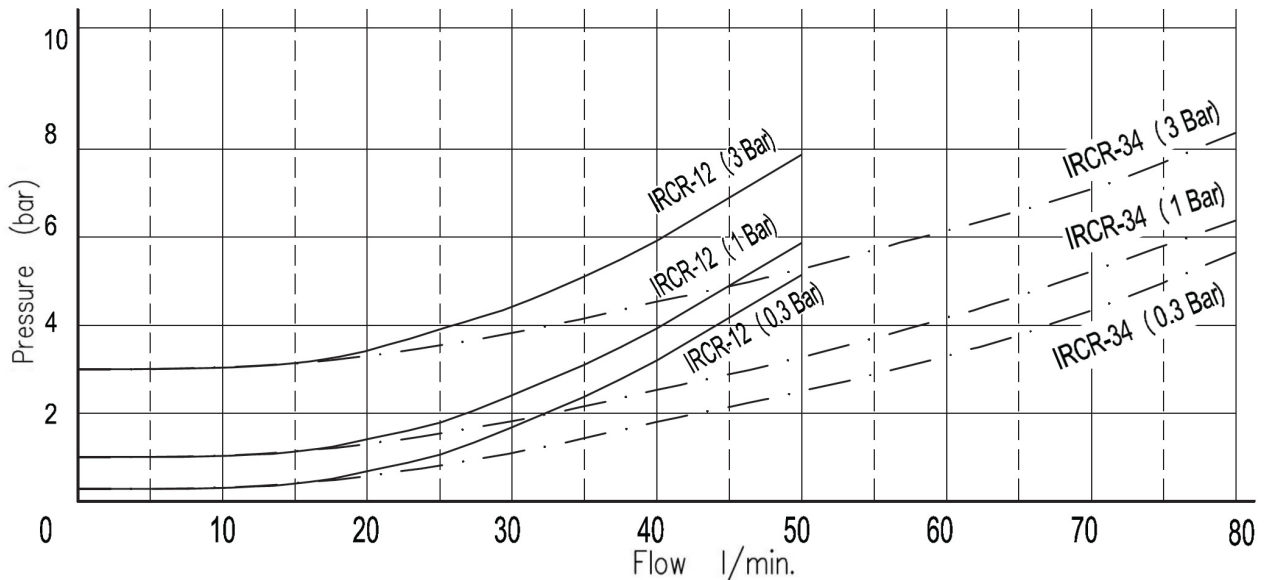
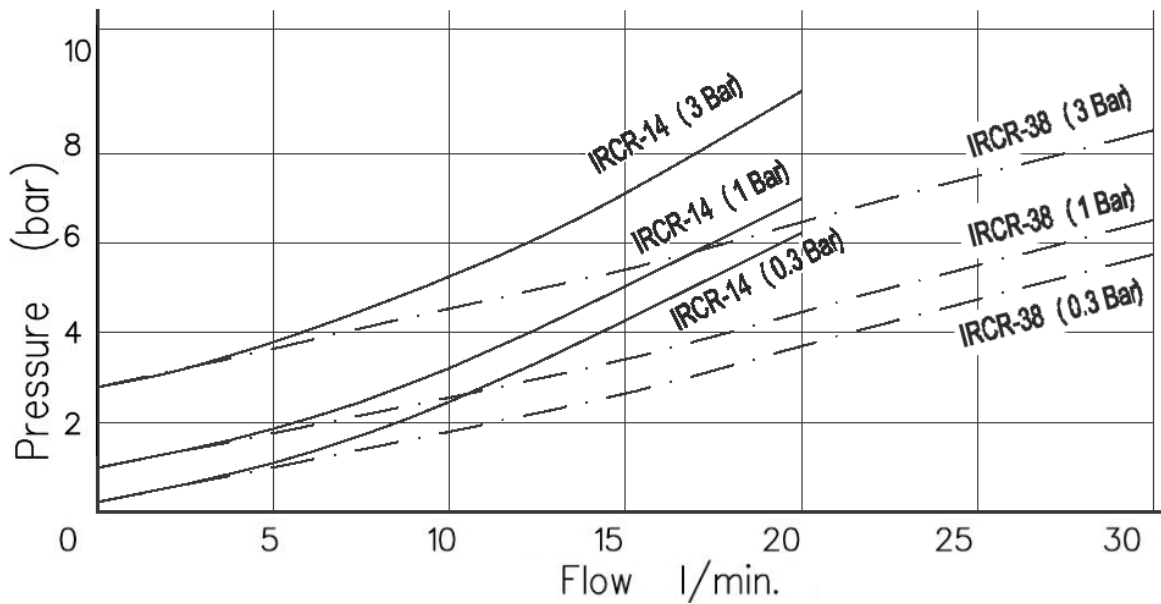
CARTRIDGE CHECK VALVE



Installation rules

- The valves type IRCR can be mounted in any position.
- Fluid to be used: hydraulic oil in compliance with DIN 51524 rules, viscosity between 30 and 100 mm²/s (cSt) at 40°C
- Recommended filtration: 25μ
- Hydraulic fluid temperature: from -20° to +110°C

Diagram



Ordering code

IRCR - * / *

Cracking pressure: if not specified 0,3 Bar on request /1 = 1Bar /3 = 3 Bar

Size : 14 = 1/4" Bsp 38 = 3/8" Bsp 12 = 1/2" Bsp 34 = 3/4" Bsp

Cartridge check valve