

# HOSE BURST CHECK VALVES



## Characteristics

TYPE	SIZE	MAX. FLOW	MAX. PRESSURE	WEIGHT	LOCKING TORQUE
VPN*-14-H-**	1/4" BSP	25 l./min.	350 bar	0.005 Kg.	2 Nm.
VPN*-38-H-**	3/8" BSP	50 l./min.	350 bar	0.010 Kg.	3 Nm.
VPN*-12-H-**	1/2" BSP	80 l./min.	350 bar	0.020 Kg.	4 Nm.
VPN*-34-H-**	3/4" BSP	150 l./min.	350 bar	0.042 Kg.	10 Nm.

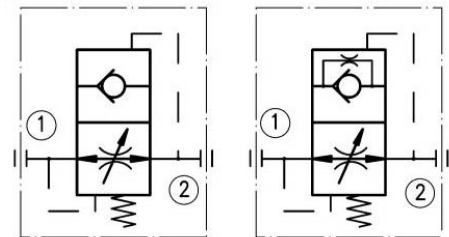
## Description

The valves type VPN are commonly called "Parachute" in fact, they block the cylinder descent, should an accidental breaking of the hose occur, preventing the free load drop.

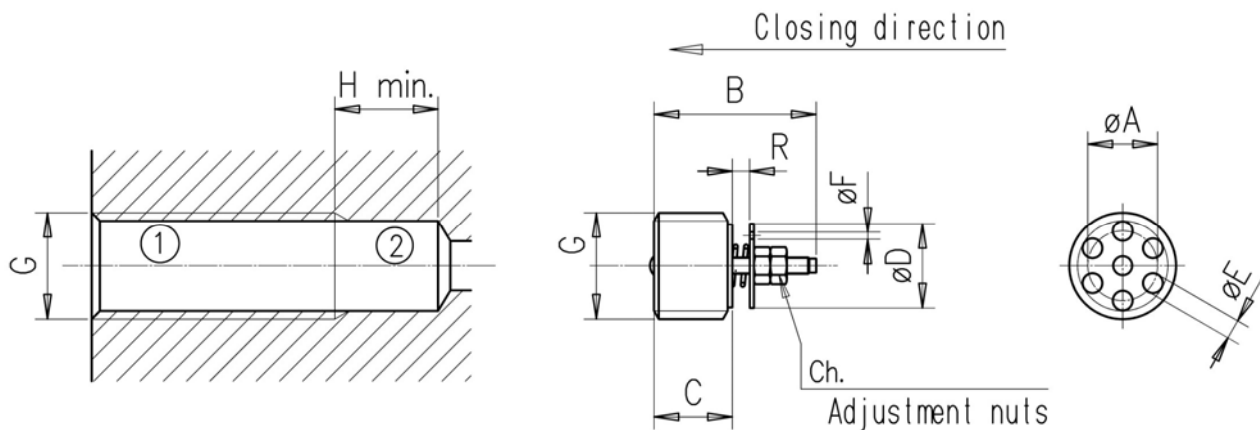
They can be supplied with a throttling hose on the sealing disk, having the purpose to let the cylinder descend slowly, allowing the oil passage from position "2" to "1" of the valve (see drawing).

The 'R' distance must correspond to a flow, at least 50% higher than the set flow.

## Symbol



## Dimensions

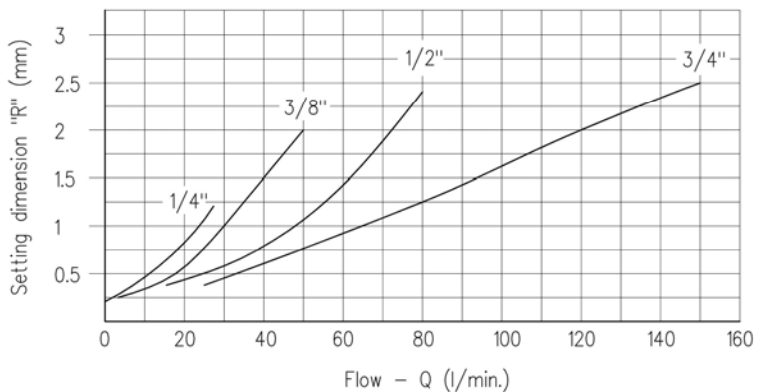


G	A	B	C	D	E	H	ch.
1/4" BSP	8.5	17.5	8	9.5	2.4	11	5.5
3/8" BSP	10.5	23	10.5	12.5	3.5	11	5.5
1/2" BSP	13	25	12	15	4.5	15	7
3/4" BSP	16	30.5	17	18	6	16	7

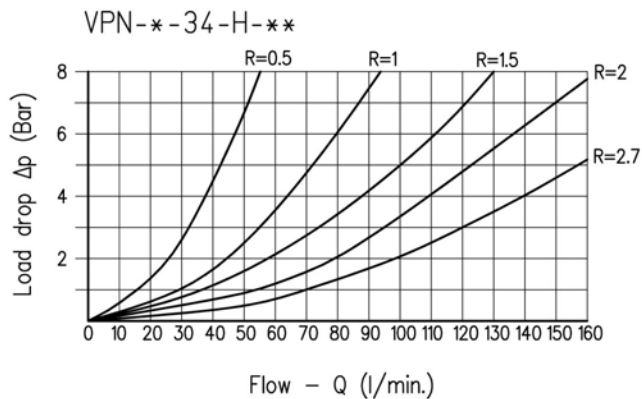
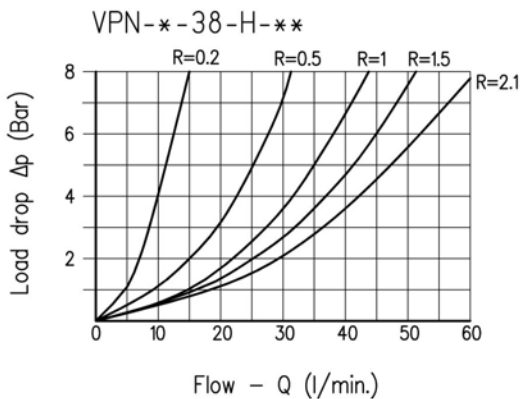
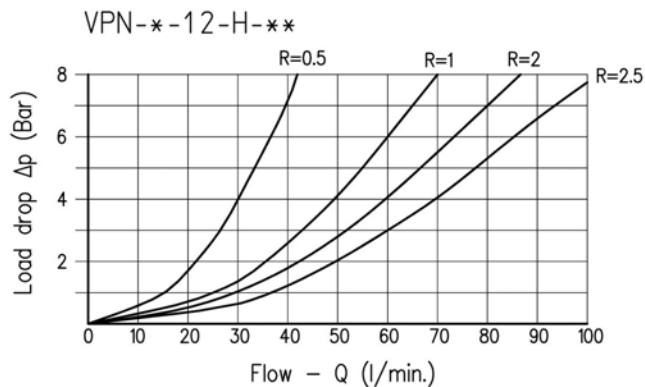
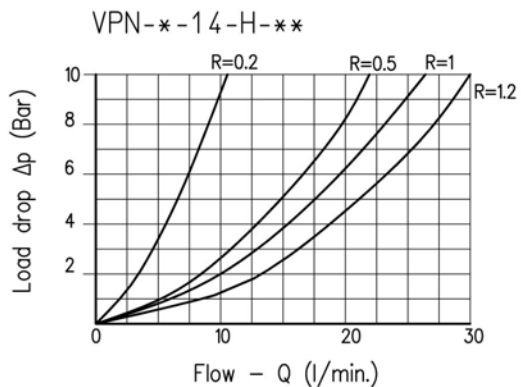


## Characteristics

Characteristic curves in free flow



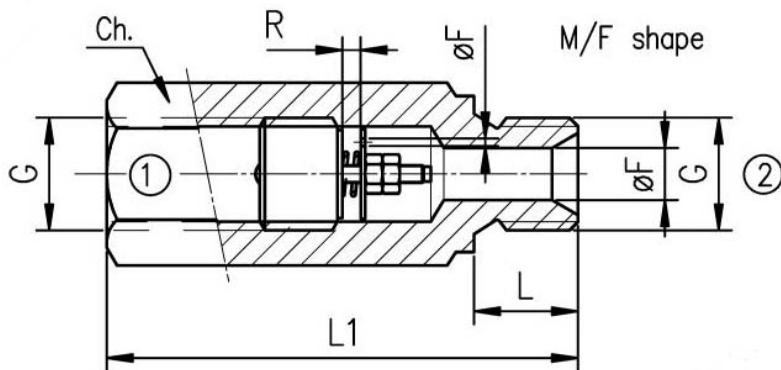
## Diagrams



# HOSE BURST CHECK VALVES



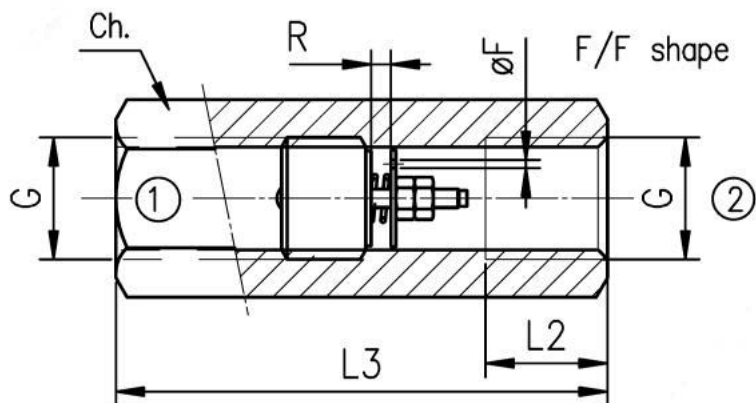
## Body 1



Cod. VPN-\*\*-1

Ports	M/F shape body size			
	G	F	L	L1
1/4" BSP	6	10	50	19
3/8" BSP	9	12	55	22
1/2" BSP	12	14	70	27
3/4" BSP	16	16	75	36

## Body 2



Cod. VPN-\*\*-2

Ports	F/F shape body size		
	G	L2	L3
1/4" BSP	13	48	19
3/8" BSP	13	52	22
1/2" BSP	14	60	27
3/4" BSP	17	72	32

## Installation rules

- The valves type VPN can be mounted in any position
- Fluid to be used: hydraulic oil in compliance with DIN 51524 rules, viscosity between 30 and 100 mm<sup>2</sup>/s (cSt) at 40°C
- Recommended filtration: 25µ
- Hydraulic fluid temperature: from -20° to +75°C
- The valve can be supplied already set according to the user's needs

## Ordering code

VPN - \* - \*\* - \* - \*\*

Standard : R=0,5 x 1/4"-3/8" R=0,7 x 1/2"-3/4" setting on request

H = with hole (F) Ø1 mm 0 = without hole

Size : 14=1/4"BSP 38=3/8"BSP 12=1/2"BSP 34=3/4"BSP

0 = only cartridge 1 = with MF body 2 = with FF body

Hose burst check valve