

LOGIC CARTRIDGE VALVE IN UNIQUE BODY DIN 24342



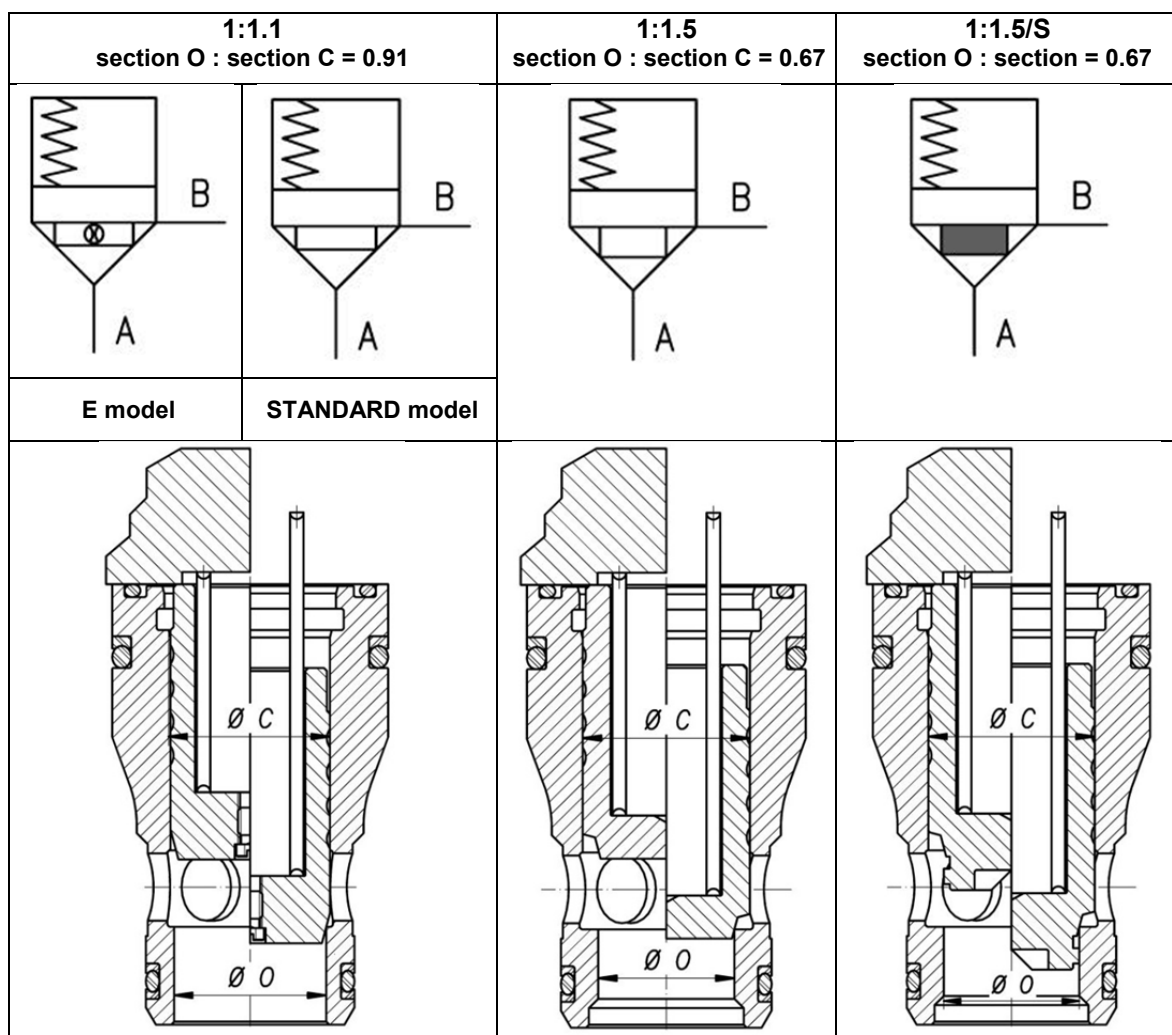
Characteristics

TYPE	SIZE	MAX PRESSURE	AREA RATIO
ICLI-A16	DN 16	350 bar	1 : 1.1 1 : 1.5 1 : 1.5/S
ICLI-A25	DN 25		
ICLI-A32	DN 32		
ICLI-A40	DN 40		
ICLI-A50	DN 50		1 : 1.1 1 : 2

Description

Two-way logic cartridges in unique body used to implement pressure, flow and direction controls. Housing cavity dimensions DIN 24342 compliant.

Models and symbols



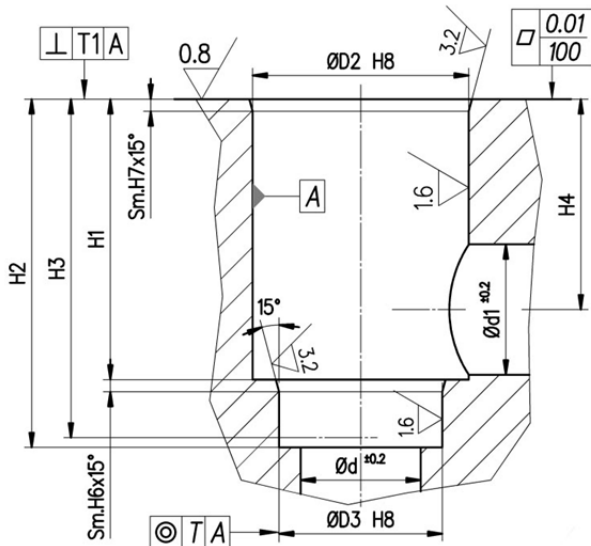
LOGIC CARTRIDGE VALVE IN UNIQUE BODY DIN 24342



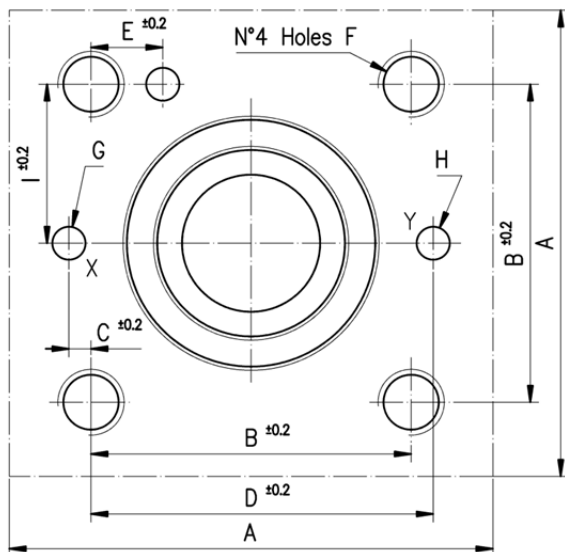
Installation rules

- The cartridges type ICLI-A** can be mounted in any position
- Fluid to be used: hydraulic oil DIN 51524 compliant, viscosity between 30 and 100 mm²/s (cSt) at 40°C
- Recommended filtration: 25µ
- Hydraulic fluid temperature: from -20° to +75°C

Dimensions



TYPE	ICLI-16	ICLI-25	ICLI-32	ICLI-40	ICLI-50
Ø d	16	25	32	40	50
Ø d1	22.5	27	38.5	54.4	62.5
Ø D2	32	45	60	75	90
Ø D3	25	34	45	55	68
H1 ^{+0.1} / ₀	43	58	70	87	100
H2 ^{+0.1} / ₀	56	72	85	105	122
H3	54	70	83	102	117
H4 ⁰ / _{-0.1}	31	43.5	49	57	66
H5	20	30	30	30	35
H6	2	2.5	2.5	3	3
H7	2	2.5	2.5	3	3
T	0.03	0.03	0.03	0.05	0.05
T1	0.05	0.05	0.1	0.1	0.1

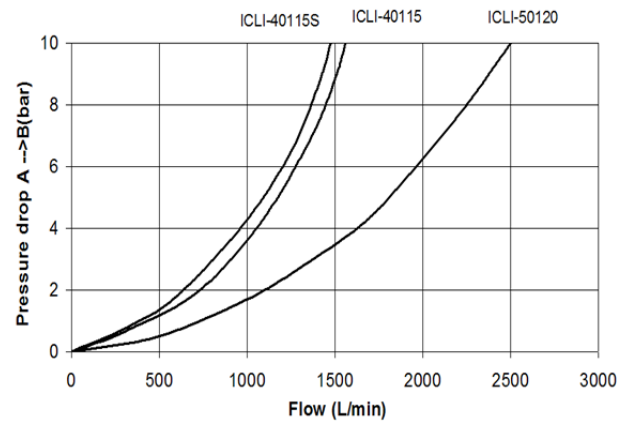
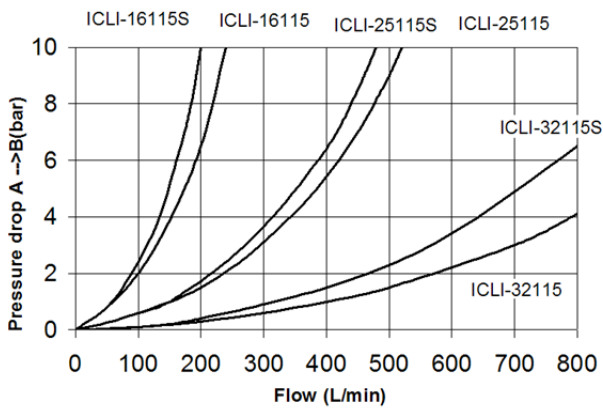
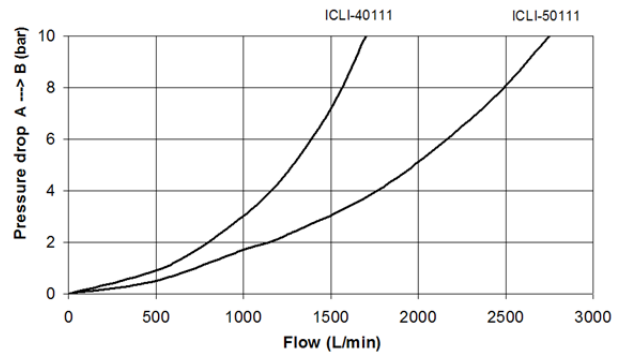
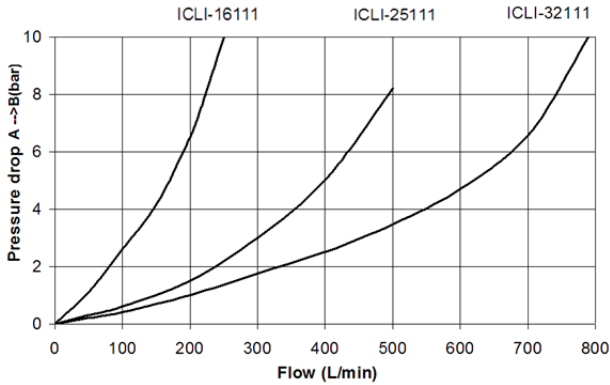


TYPE	ICLI-16	ICLI-25	ICLI-32	ICLI-40	ICLI-50
A	65	85	102	125	140
B	46	58	70	85	100
C	2	4	6	7.5	8
D	48	62	76	92.5	108
E	12.5	13	18	19.5	20
F	M8x22	M12x30	M16x38	M20x46	M20x46
G	4	6	8	10	10
H	4	6	8	10	10
I	23	29	35	42.5	50

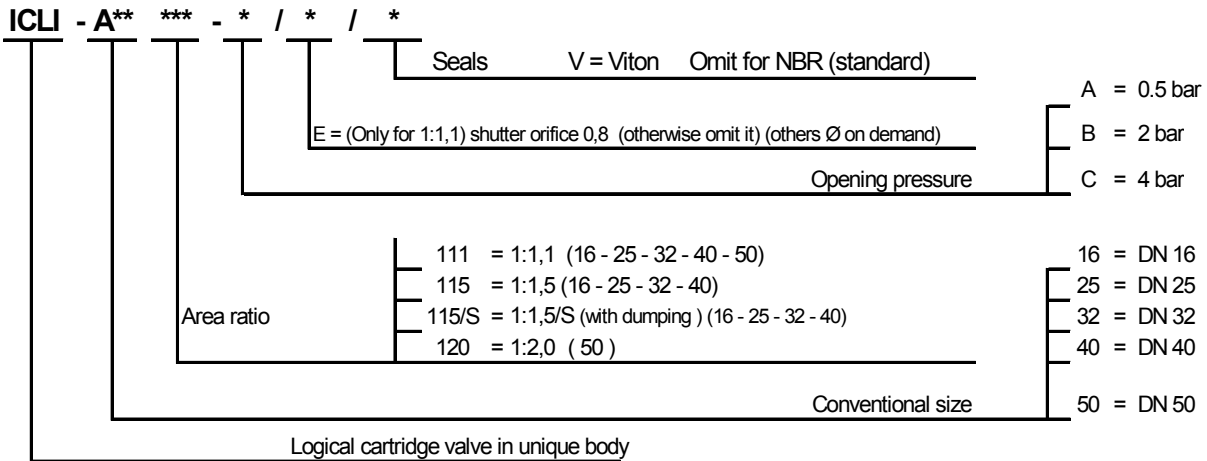
LOGIC CARTRIDGE VALVE IN UNIQUE BODY DIN 24342



Diagrams



Ordering code



Example:

ICLI-A25111-B = DN 25 ; ratio 1:1.1; Spring 2 bar; Seal NBR