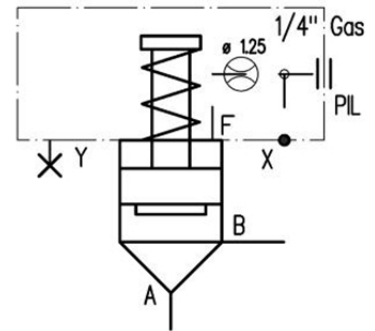


NORMALLY OPENED LOGICAL CARTRIDGE VALVE IN UNIQUE BODY - DIN 24342

Characteristics

TYPE	SIZE	MAX WORKING PRESSURE	AREA RATIO
ICLI – A16111/NA	DN 16	350 bar	1 : 1.1
ICLI – A25111/NA	DN 25		
ICLI – A32111/NA	DN 32		

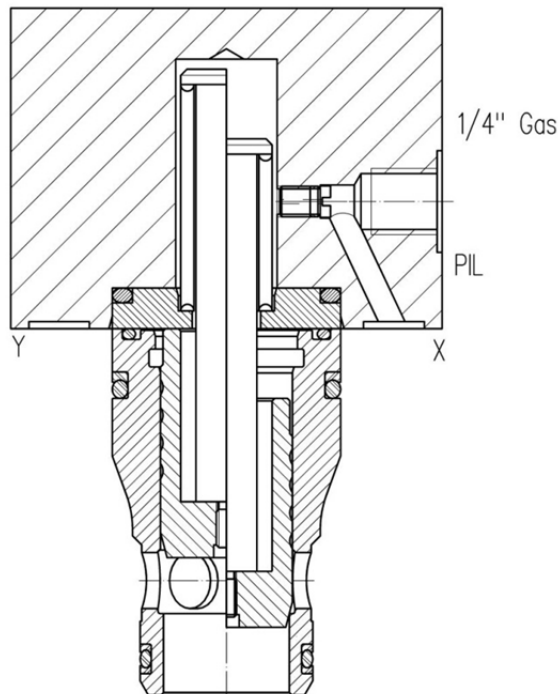
Symbol



Description

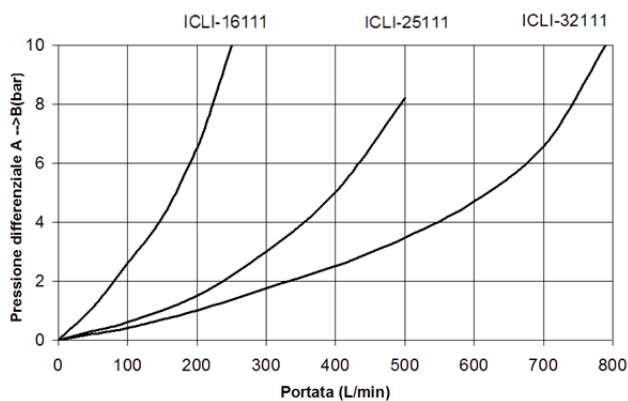
Normally opened poppet logic cartridges.
Cavity dimensions in compliance with DIN 24342.

Overall dimensions

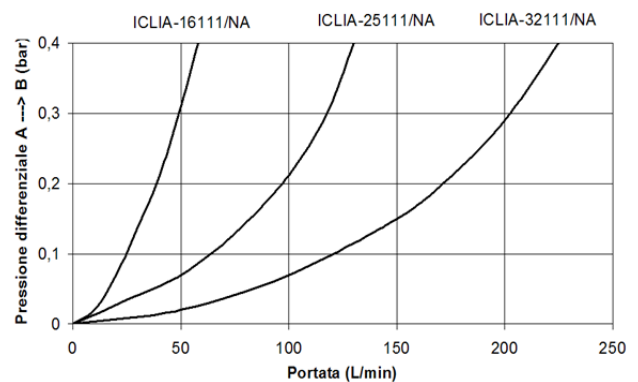


Diagrams

Load drop



Load drop for suction use ΔP max recommended 0.3 bar



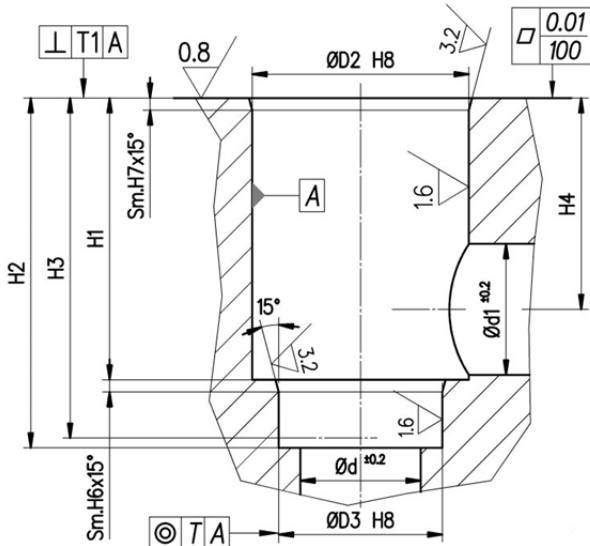
NORMALLY OPENED LOGICAL CARTRIDGE VALVE IN UNIQUE BODY - DIN 24342



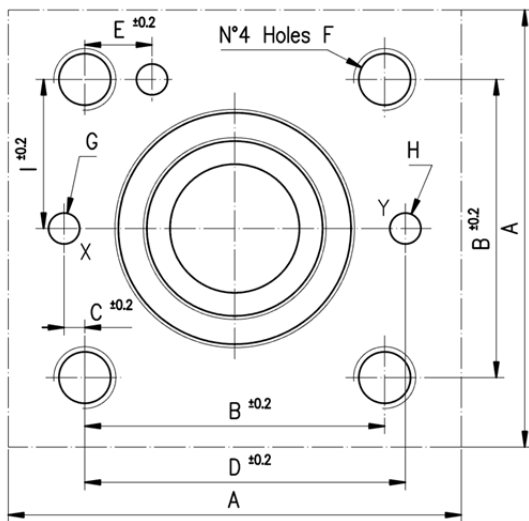
Installation rules

- Cartridges type ICLI -A**111/NA can be mounted in any position
- Fluid to be used: hydraulic oil in compliance with DIN 51524 rules, with viscosity between 30 and 100 mm²/s (cSt) at 40°C
- Recommended filtration: 25µ
- Hydraulic fluid temperature: from -20° to +75°C

Dimensions



TYPE	ICLI-16	ICLI-25	ICLI-32
Ø d	16	25	32
Ø d1	22.5	27	38.5
Ø D2	32	45	60
Ø D3	25	34	45
H1	$\begin{matrix} +0.1 \\ 0 \end{matrix}$ 43	58	70
H2	$\begin{matrix} +0.1 \\ 0 \end{matrix}$ 56	72	85
H3	54	70	83
H4	$\begin{matrix} 0 \\ -0.1 \end{matrix}$ 31	43.5	49
H5	20	30	30
H6	2	2.5	2.5
H7	2	2.5	2.5
T	0.03	0.03	0.03
T1	0.05	0.05	0.1



TYPE	ICLI-16	ICLI-25	ICLI-32
A	65	85	102
B	46	58	70
C	2	4	6
D	48	62	76
E	12.5	13	18
F	M8x22	M12x30	M16x38
G	4	6	8
H	4	6	8
I	23	29	35

Ordering code

ICLI - A ** 111 - NA / *

Seals / V = Viton (otherwise omit it)

Conventional size
 16 = DN 16
 25 = DN 25
 32 = DN 32

Logical cartridge

CAPP. ICLI ** / NA

Cap ordering code