



HERION & RAU  
Fluidtechnik GmbH

# Compact-Pressure Switch SW 27 Series PDC

Electromechanical Pressure Switch

Switching Point adjustable: 0,2 to 16bar

Pneumatics



90076.1009

Zeppelinstraße 6  
D-71083 Herrenberg

fon +49 (0) 7032/2017-0  
fax +49 (0) 7032/2017-199

kontakt@bar-control.de  
www.bar-control.de

## Features

Compact-Pressure Switches SW 27 series PDC are electro-mechanical signal converter, distinguished by high precision that are changing the pressure of fluids into electrical signals.

Switching point and hysteresis are being offered factory-set. Optional the setting of pressure and hysteresis are adjustable by the user.

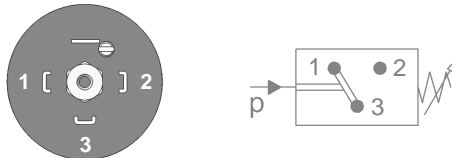
Compact-Pressure Switches series PDC are designed for use in fluid-technical-systems under normal environmental conditions. The PDC operates as a diaphragm pressure switch and is intended for use with different gradings up to max.16bar setting pressure range. The specific design of the PDC, laid-out as a changer, enables overhanging electrical performance characteristics. Based on this the PDC is applicable reliably for a voltage up to max. 250V with a switching current up to 4A but also for small currents and voltages of 5V with minimum 5mA.

The units are available with sockets DIN EN 175301-803.



## Contact Arrangement / Circuit Symbols

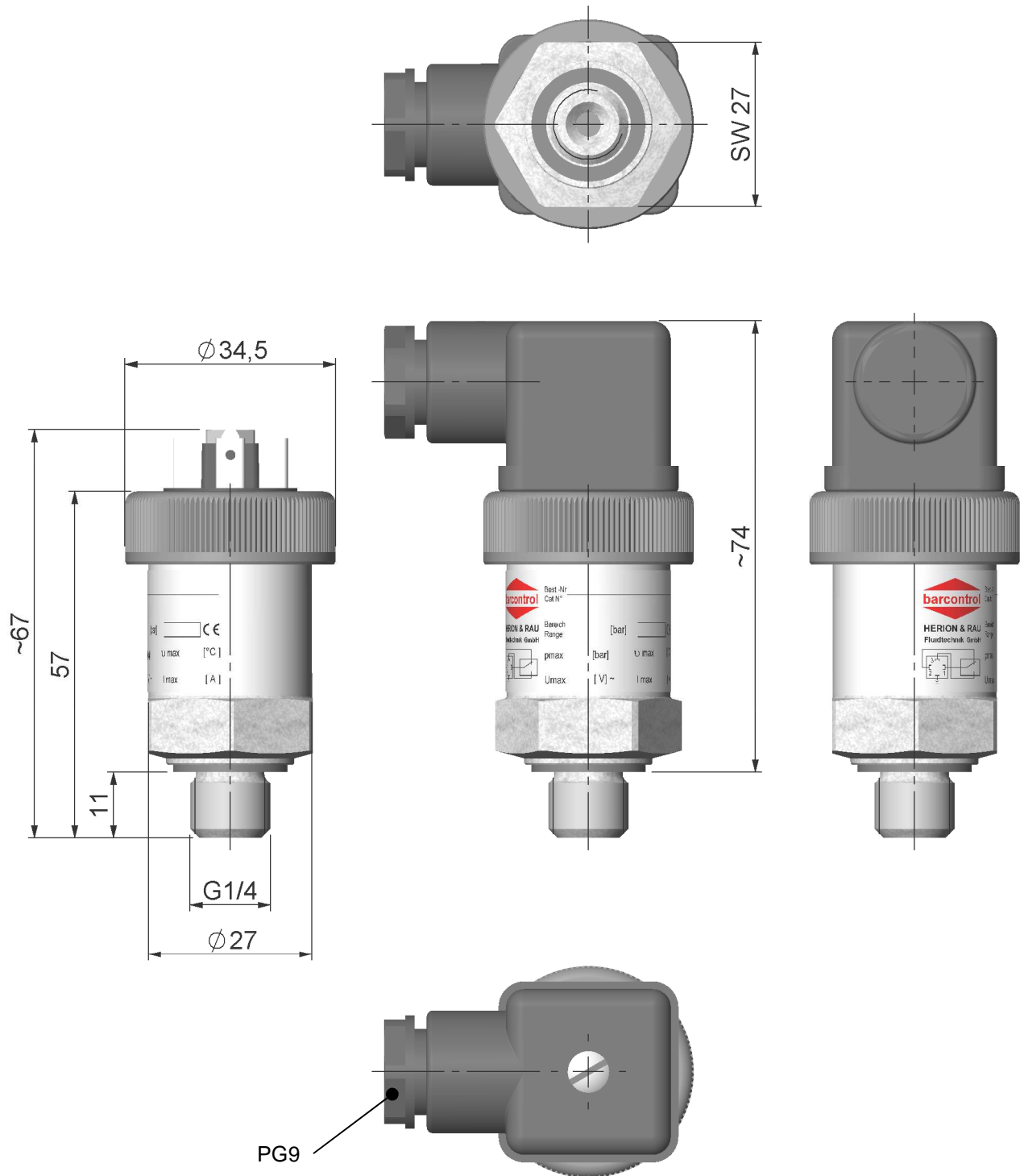
DIN EN 175301-803



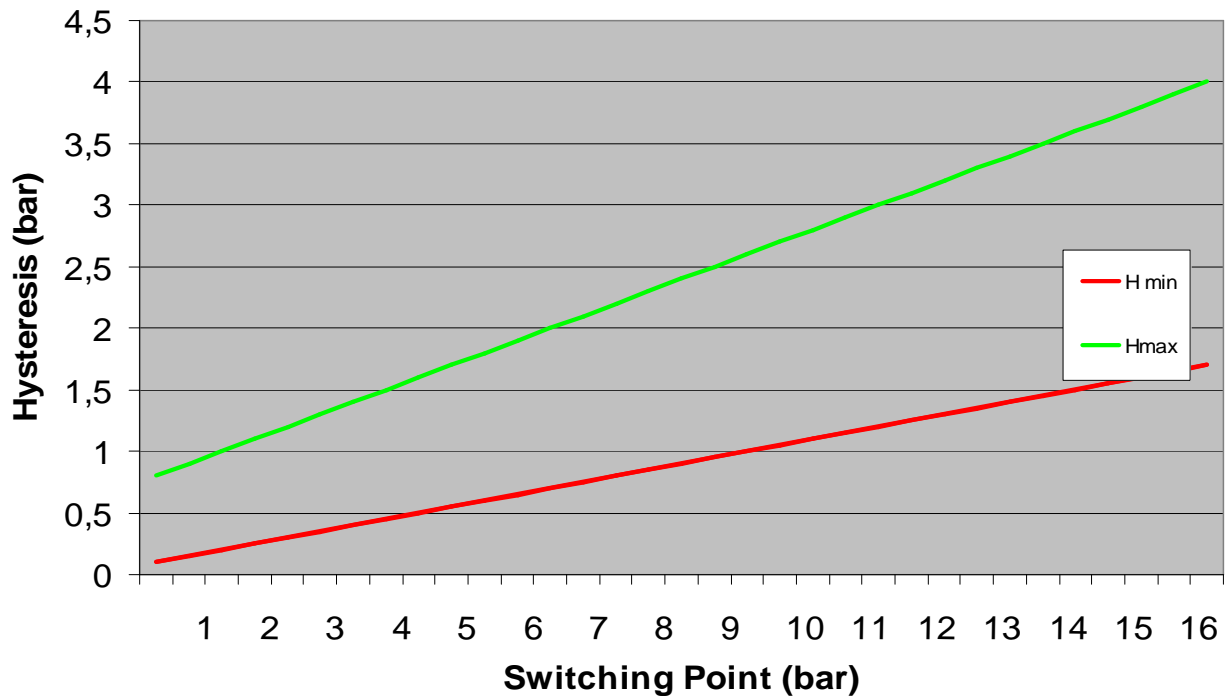
## Technical Data

Operating fluid:	compressed air; neutral fluids
Type of mounting:	with fluid connection
Fluid connection:	external thread G <sup>1</sup> / <sub>8</sub> " , G <sup>1</sup> / <sub>4</sub> " , M10x1, 1/8NPT, 1/4NPT, other on request
Mounting position:	optional
Operating pressure range:	0,2...2bar; 0,5...8bar; 1...16bar (max. system pressure 60bar)
Repeatability:	±2% relating to operating range maximum value
Switching pressure difference:	adjustable, see diagram switching pressure difference page 4
Max. switching frequency:	100/min
Temperature range:	-20°C to +80°C
Vibration resistance:	10g (10 ... 2000Hz)
Shock resistance:	30g
Electrical connection:	socket DIN EN 175301-803 (DIN 43650 type A)
Switching element:	change-over switch with catch spring as switching element and self-cleaning contacts
Operating current and voltage at operating category:	AC12 acc. to VDE0660 (EN60947): 4A at 250VAC AC14 acc. to VDE0660 (EN60947): 1A at 250VAC DC12 acc. to VDE0660 (EN60947): 2A at 28VDC DC14 acc. to VDE0660 (EN60947): 0,5A at 28VDC
CE-Certification:	acc. to EU-Standard 73/23/EWG
Protection category EN 60529:	IP65 with fitted socket
Material:	housing: steel-zinc coated, other on request seal/diaphragm: NBR
Weight:	0,100 kg

## Dimensions



## Switching Pressure Difference



**Example:** At a switching point of 4bar the switching pressure difference (hysteresis) is adjustable from 0,5bar up to 1,5bar (guiding value).

## Order Code

**PDC - 1 - XXX - M - X - 1 - GE XXX**

- Customer tailored design
- Electrical Connection  
1 = plug connector with socket DIN EN 175301-803
- Fluid connection  
1 = nipple G 1/8", fixed      E = nipple 1/8NPT, fixed  
3 = nipple G 1/4", fixed      6 = nipple 1/4NPT, fixed  
9 = nipple M10x1, fixed
- Version M = diaphragm
- Operating Pressure Range  
002 = 0,2 ... 2bar  
008 = 0,5 ... 8bar  
016 = 1 ... 16bar
- Electrical Function  
1 = change-over switch
- Pneumatic Compact-Pressure Switch SW 27

**Order Example:**  
**PDC-1-008-M-3-1**  
 - Pneumatic Compact-Pressure Switch SW 27  
 - change-over switch  
 - operating pressure range 0,5 ... 8bar  
 - diaphragm operated  
 - fluid connection nipple G 1/4", fixed  
 - electrical connection plug connector with socket DIN EN 175301-803

Specifications are subject to change without notice.