



HERION & RAU
Fluidtechnik GmbH

Vacuum Pressure Switches Series VDS

Electromechanical Pressure Switch

Switching Point adjustable: - 0,85 ... +1bar

Pneumatic



90039.1107

Zeppelinstraße 6
D-71083 Herrenberg

fon +49 (0) 7032/2017-0
fax +49 (0) 7032/2017-199

kontakt@bar-control.de
www.bar-control.de

Features

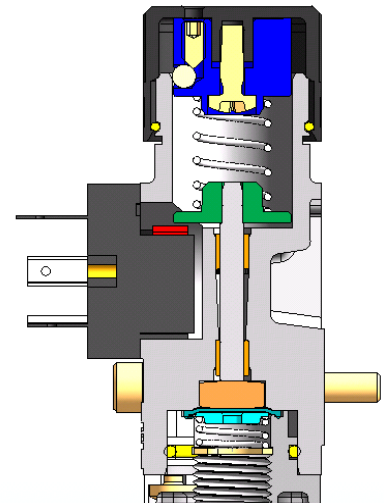
The Vacuum Pressure Switch series VDS is primarily used in a rough vacuum (technical vacuum). Vacuum in this sense means a Gas/Fluid with a pressure lower than atmospheric pressure (1,013bar absolut).

With the VDS series pneumatic signals are changed into electrical signals. The switching point is fully adjustable by means of an adjusting knob (see technical data: Operating Pressure Range).

The built-in micro switch can be used to open, close or change the circuit.

Models for use in special environmental conditions, as well as other special setting requirements are available on request.

Sockets with or without LEDs can be supplied as accessories.



Contact Arrangement / Circuit Symbols

DIN 43650:



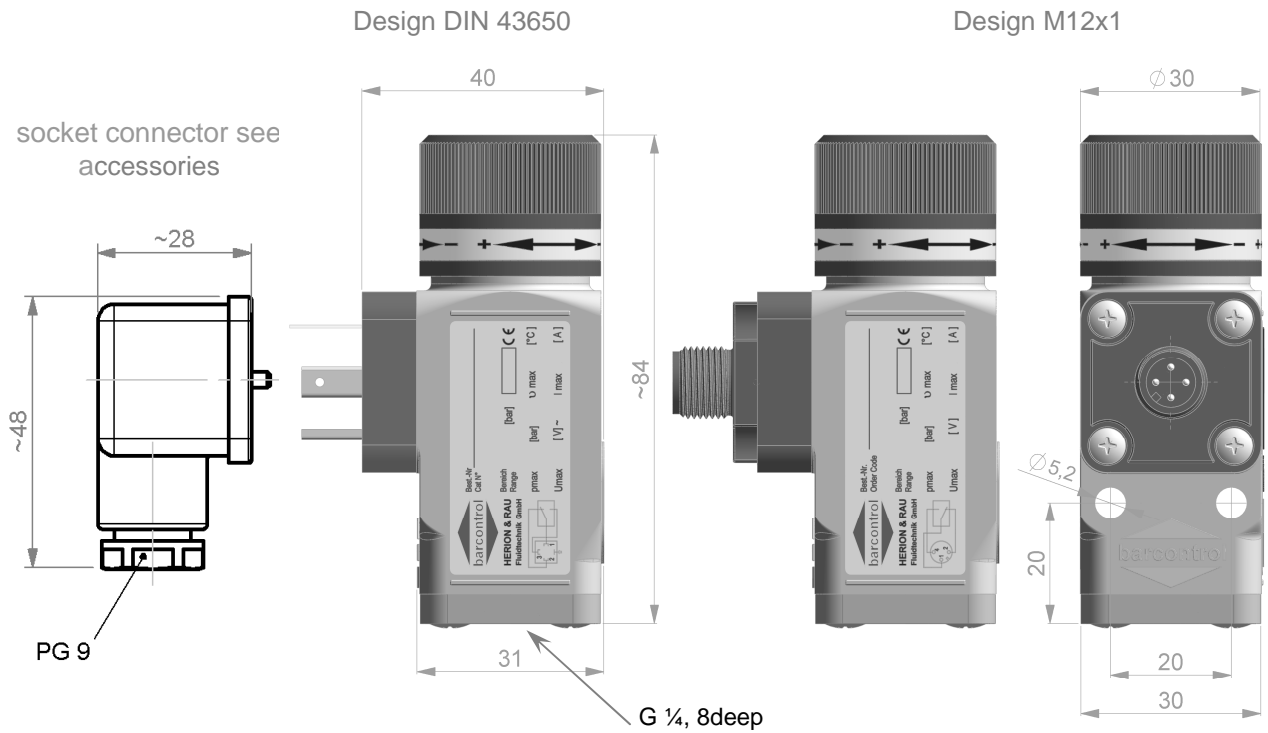
M12x1:



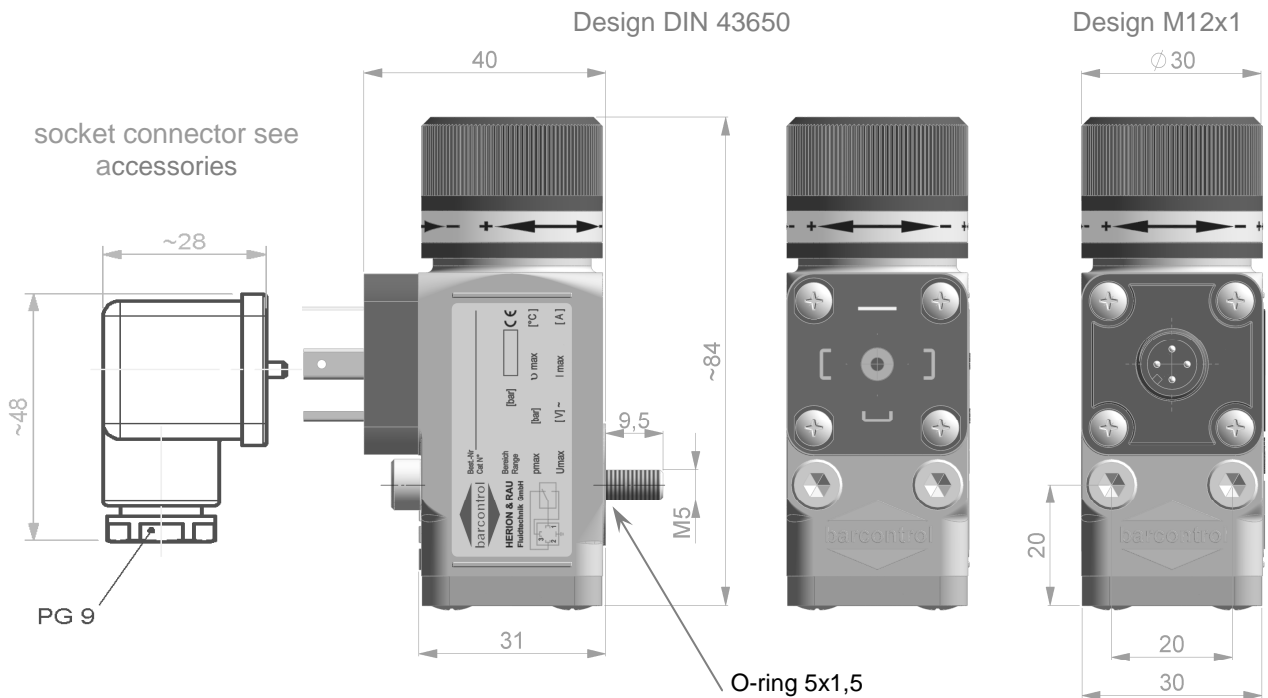
Technical Data

Fluid:	Compressed air, 50µm filtered, oiled or not oiled
Mounting holes:	2 through-holes in housing, Ø5,2mm
Fluid Connection:	G1/4", Flange
Mounting position:	optional
Operating pressure range:	-0,85... +1 bar (max. System pressure 20 bar)
Repeatability:	±2% of operating range maximum value
Switching pressure difference:	see Diagram Switching pressure difference page 4
Max. switching frequency:	200/min
Temperature range:	-10°C bis +80°C
Vibration resistance:	10g (10 ... 2000Hz)
Shock resistance:	30g
Electrical connection:	According to DIN 43650, Type A (EN175301-803, ISO4400); M12x1
Switching element:	Spring-snap switcher with self-cleaning contacts
Operating voltage at operating category:	AC12: VDE0660 (EN60947): 4A at 250 VAC AC14: VDE0660 (EN60947): 1A at 250 VAC DC12: VDE0660 (EN60947): 3A at 28 VDC DC14: VDE0660 (EN60947): 1A at 28 VDC
CE-Certification:	Acc. to EU-Standard 73/23/EWG
Degree of protection:	IP65; M12x1: IP67
Material:	Housing: Zinc pressure die-cast; Adjusting knob: Aluminium, powder-coated; Seals/Diaphragm: NBR
Weight:	0,295 kg

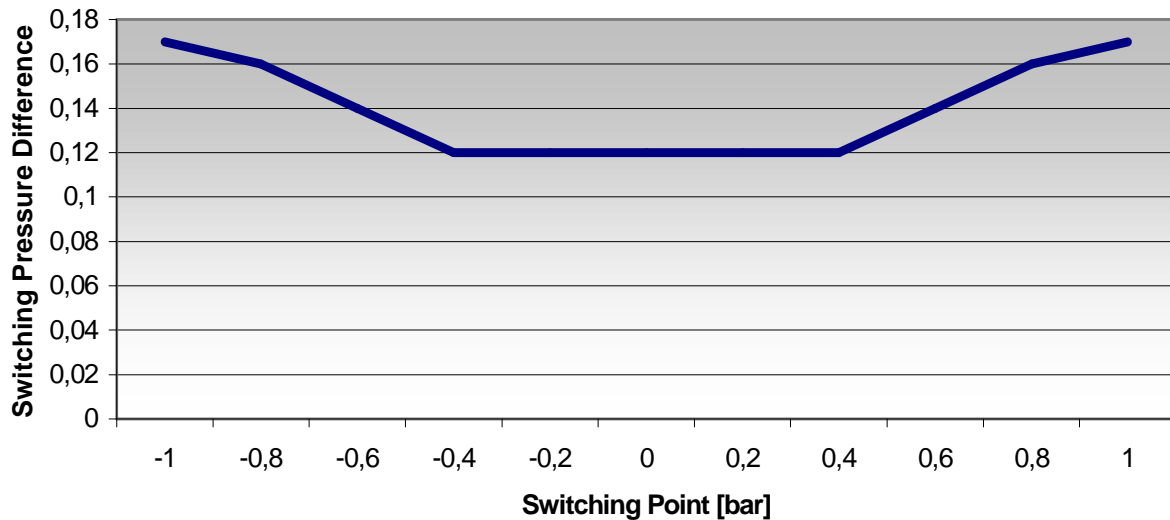
Fluid Connection: G 1/4"



Fluid Connection: Flange

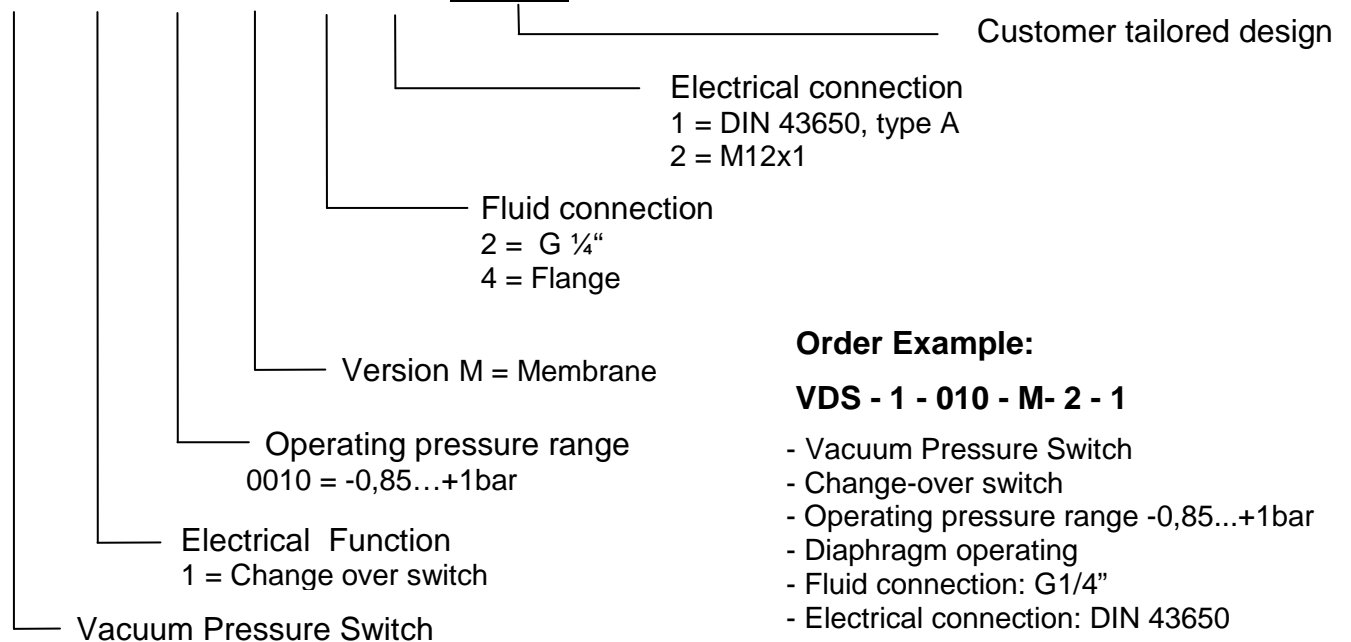


Switching Pressure Difference



Order Code

VDS - 1 - 010 - M - X - 1 - GE XXX



Accessories

Standard Socket, DIN 43650 Type A, ISO 4400	Part Number. 11 000
28V Socket with 2 LEDs, DIN 43650	Part Number. 11 001
110V Socket with 2 LEDs, DIN 43650	Part Number. 11 002
230V Socket with 2 LEDs, DIN 43650	Part Number. 11 003
Socket with cable (L=1,5m), 4-pole, straight, for M12x1	Part Number. 11 041

Specifications are subject to change without notice