

DZC*

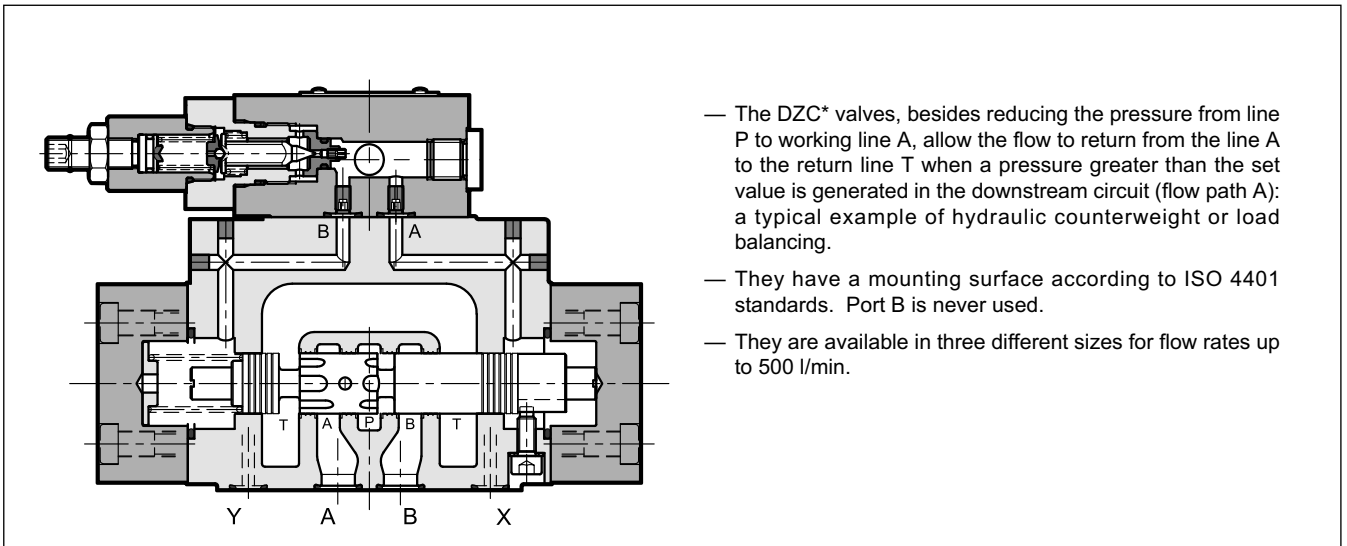
PRESSURE REDUCING VALVES SERIES 12



DZC5 **CETOP P05**
DZC5R **ISO 4401-05**
DZC7 **ISO 4401-07**
DZC8 **ISO 4401-08**

p max **350** bar
Q max (see table of performances)

OPERATING PRINCIPLE

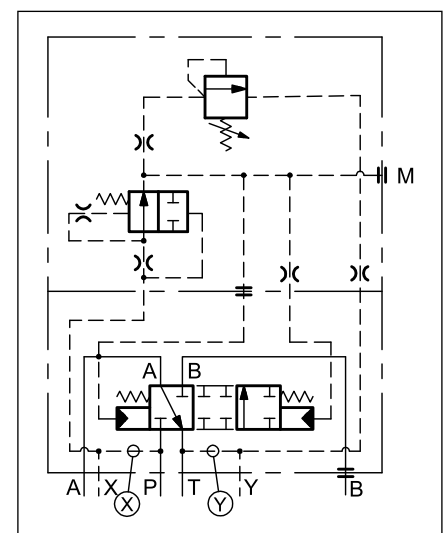


PERFORMANCES

(obtained with mineral oil with viscosity of 36 cSt at 50°C)

		DZC5 DZC5R	DZC7	DZC8
Maximum operating pressure	bar	350		
Maximum flow	l/min	150	300	500
Ambient temperature range	°C	-20 / +50		
Fluid temperature range	°C	-20 / +80		
Fluid viscosity range	cSt	10 ÷ 400		
Fluid contamination degree	According to ISO 4406:1999 class 20/18/15			
Recommended viscosity	cSt	25		
Mass:	kg	6,3	8,6	15

HYDRAULIC SYMBOL



1 - IDENTIFICATION CODE

D	Z	C	-	/ 12	-	/	
----------	----------	----------	----------	-------------	----------	----------	--

Pressure reducing valve

Nominal size:
5 = CETOP P05 (**NOTE**)
5R = ISO 4401-05
7 = ISO 4401-07
8 = ISO 4401-08

Pressure control range
070 = 5 + 70 bar
140 = 5 + 140 bar
210 = 5 + 210 bar

Series No.
 (the overall and mounting dimensions remain unchanged from 10 to 19)

NOTE: This version is interchangeable with the previous model ZC4 Duplomatic

K1 = Adjustment knob (omit for adjustment with socket hex screw)

Drainage: **I** = internal
E = external

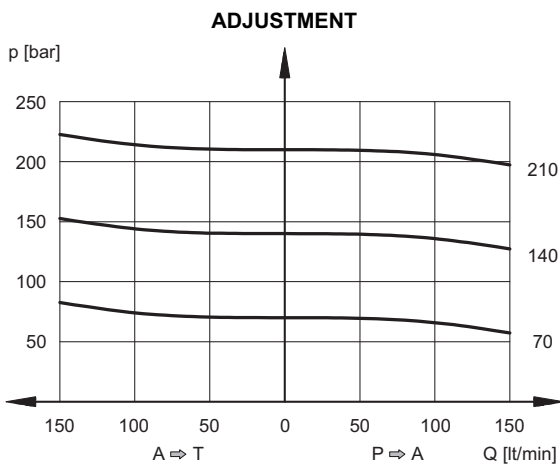
Piloting: **I** = internal
E = external

Seals:
N = NBR seals for mineral oil (**standard**)
V = FPM seals for special fluids

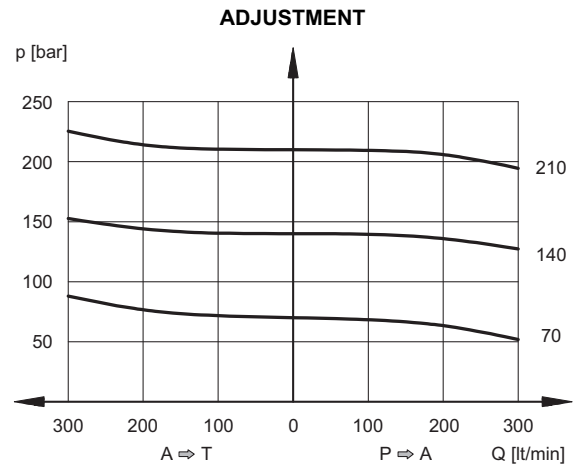
2 - CHARACTERISTIC CURVES

(obtained with mineral oil with viscosity of 36 cSt at 50°C)

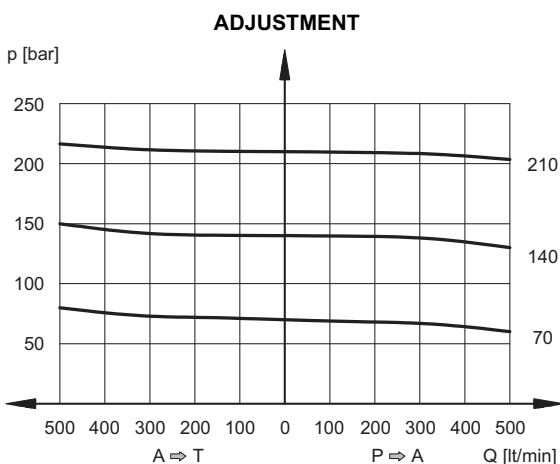
2.1 - Characteristic curves DZC5 and DZC5R



2.2 - Characteristic curves DZC7



2.3 - Characteristic curves DZC8



3 - HYDRAULIC FLUIDS

Use mineral oil-based hydraulic fluids HL or HM type, according to ISO 6743-4. For these fluids, use NBR seals (code N). For fluids HFDR type (phosphate esters) use FPM seals (code V). For the use of other kinds of fluid such as HFA, HFB, HFC, please consult our technical department. Using fluids at temperatures higher than 80 °C causes a faster degradation of the fluid and of the seals characteristics.

The fluid must be preserved in its physical and chemical characteristics.

4 - PILOTING AND DRAINAGE

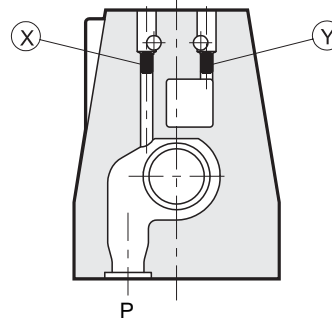
The valves are available with piloting and drainage, both internal and external. The version with external drainage allows a higher backpressure on the unloading.

TYPE OF VALVE	Plug assembly	
	X	Y
IE INTERNAL PILOT AND EXTERNAL DRAIN	NO	YES
II INTERNAL PILOT AND INTERNAL DRAIN	NO	NO
EE EXTERNAL PILOT AND EXTERNAL DRAIN	YES	YES
EI EXTERNAL PILOT AND INTERNAL DRAIN	YES	NO

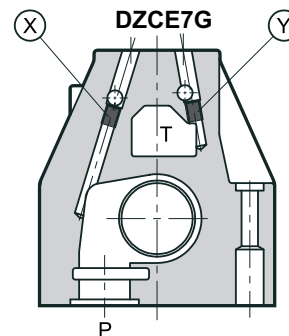
PRESSURES (bar)

Pressure	MIN	MAX
Pilot pressure on port X	30	210
Pressure on T port with internal drain	-	2
Pressure on T port with external drain	-	250

DZCE5 and DZCE5RG

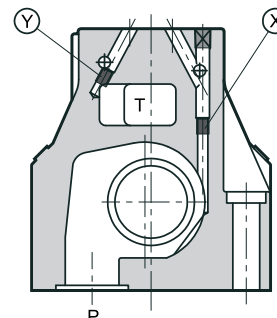


X: M5x6 plug for external pilot
Y: M5x6 plug for external drain



X: M6x8 plug for external pilot
Y: M6x8 plug for external drain

DZCE8G



X: M6x8 plug for external pilot
Y: M6x8 plug for external drain

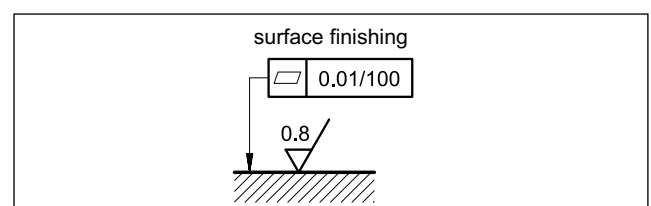
5 - INSTALLATION

The DZC* valves can be installed in any position without impairing correct operation.

Connect the valve T port directly to the tank. Add any backpressure value detected in the T line to the controlled pressure value.

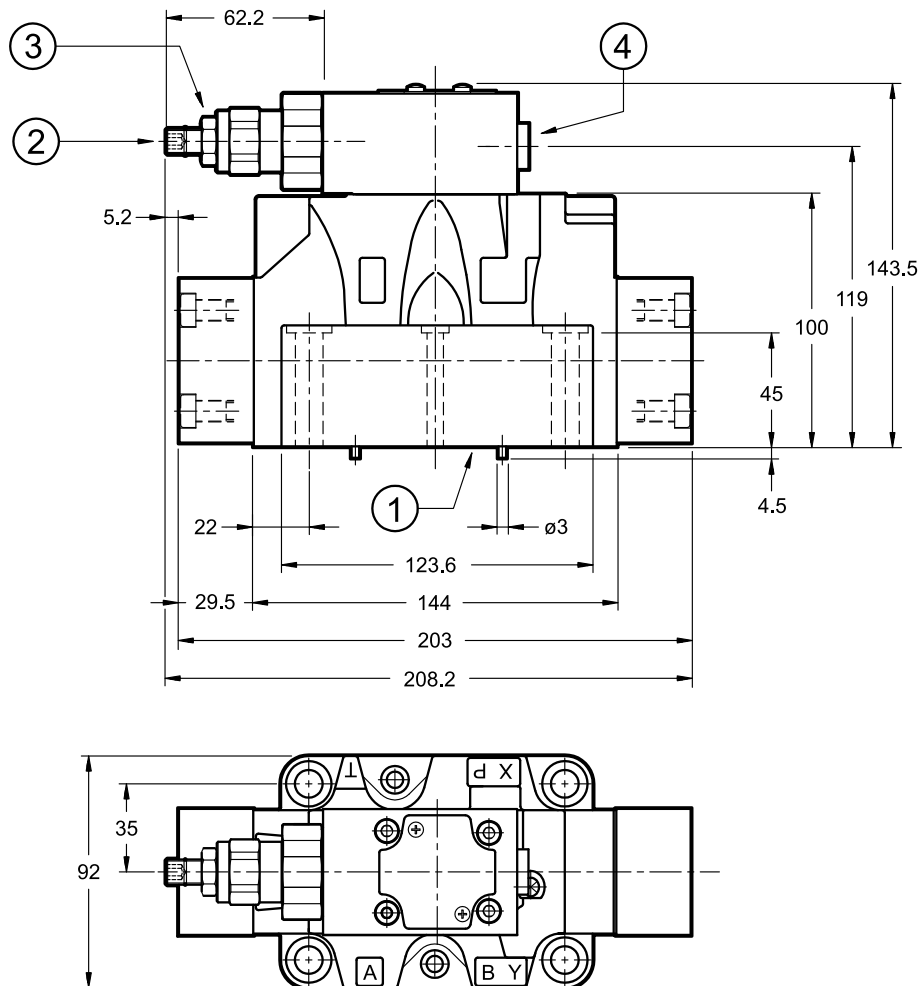
Maximum admissible backpressure in the T line, under operational conditions, is 2 bar.

Valves are fixed by means of screws or tie rods on a flat surface with planarity and roughness equal to or better than those indicated in the relative symbols. If minimum values are not observed, fluid can easily leak between the valve and support surface.



7 - DZC7 OVERALL AND MOUNTING DIMENSIONS

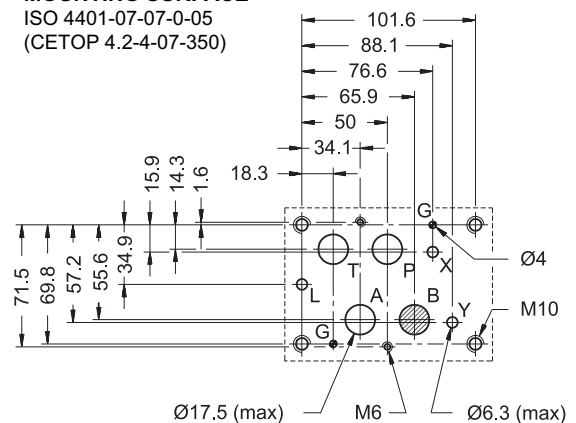
dimensions in mm



1	Mounting surface with sealing rings: N. 4 OR type 130 (22.22x2.62) - 90 Shore N. 2 OR type 2043 (10.82x1.78) - 90 Shore
2	Socket hex adjustment screw: Allen key 5. Clockwise rotation to increase pressure
3	Locking nut: spanner 17
4	Pressure gauge port 1/4" BSP

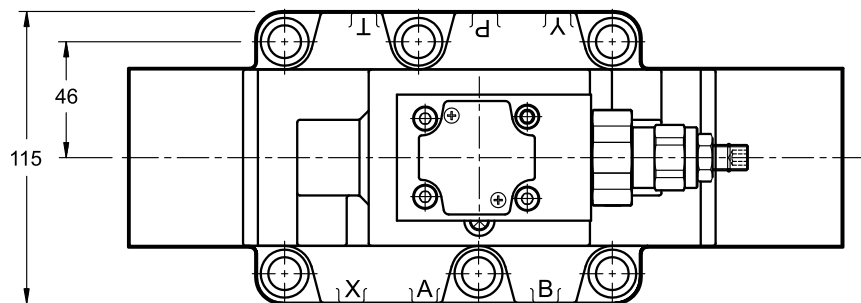
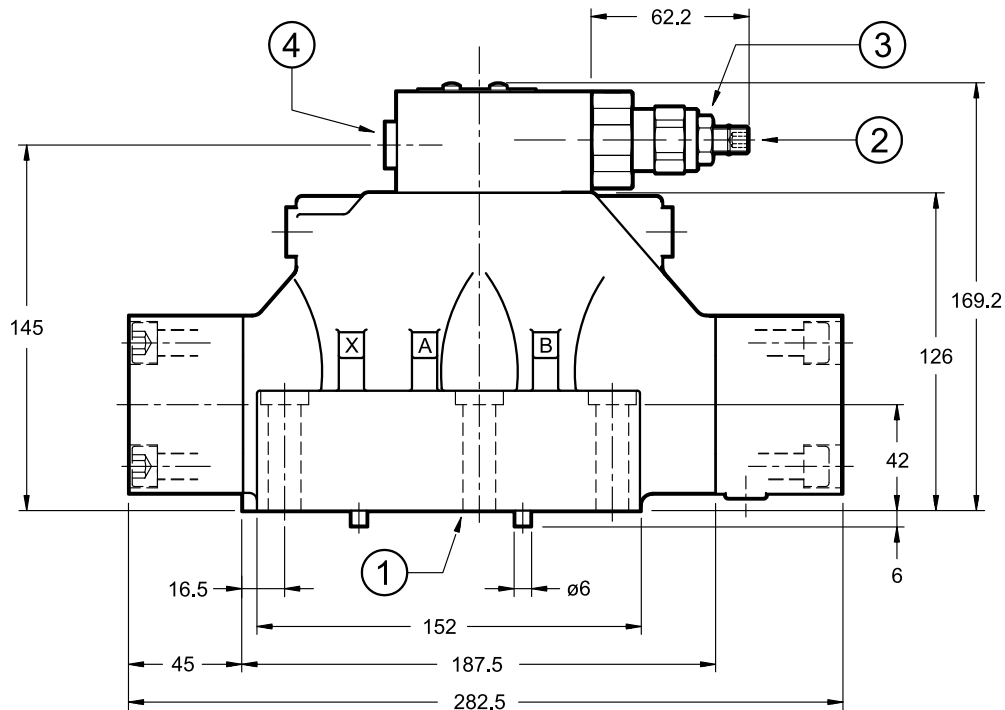
Single valve fastening:	N. 4 SHC bolts ISO 4762 M10x60 N. 2 SHC bolts ISO 4762 M6x60
Tightening torque M10x60:	40 Nm (A 8.8 bolts)
M6x60:	8 Nm (A 8.8 bolts)
Thread of mounting holes:	M6x18; M10x18

MOUNTING SURFACE

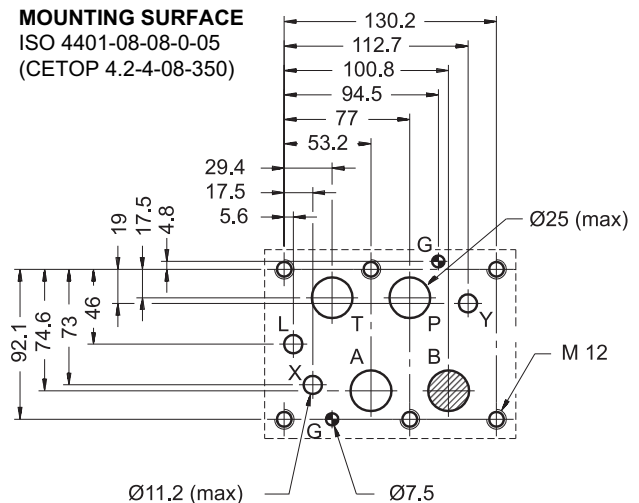
 ISO 4401-07-07-0-05
 (GETOP 4.2-4-07-350)


8 - DZC8 OVERALL AND MOUNTING DIMENSIONS

dimensions in mm



MOUNTING SURFACE
ISO 4401-08-08-0-05
(CETOP 4.2-4-08-350)



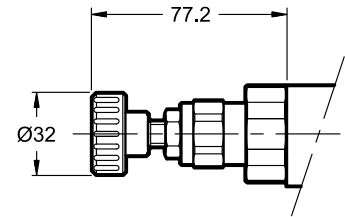
1	Mounting surface with sealing rings: N. 4 OR type 3118 (29.82x2.62) - 90 Shore N: 2 OR type 3081 (20.24x2.62) - 90 Shore
2	Socket hex adjustment screw: Allen key 5. Clockwise rotation to increase pressure
3	Locking nut: spanner 17
5	Pressure gauge port 1/4" BSP

Valve fastening: N. 6 SHC bolts ISO 4762 M12x60
Tightening torque: 69 Nm (A 8.8 bolts)
Thread of mounting holes: M12x20



9 - OPTIONS

The valves can be equipped with adjustment knob instead of the standard socket head screw.
Add **K1** at the identification code end (see par.1).



10 - SUBPLATES

(See catalogue 51 000)

	DZC5	DZC7	DZC8
Model with rear ports	PME4-AI5G	PME07-AI6G	-
Model with side ports	PME4-AL5G	PME07-AL6G	PME5-AL8G
Thread of ports: P - T - A - B X - Y	3/4" BSP 1/4" BSP	1" BSP 1/4" BSP	1 1/2" BSP 1/4" BSP



DIPLOMATiC OLEODiNAMiCA S.p.A.
20015 PARABIAGO (MI) • Via M. Re Depaolini 24
Tel. +39 0331.895.111
Fax +39 0331.895.339
www.diplomatic.com • e-mail: sales.exp@diplomatic.com

