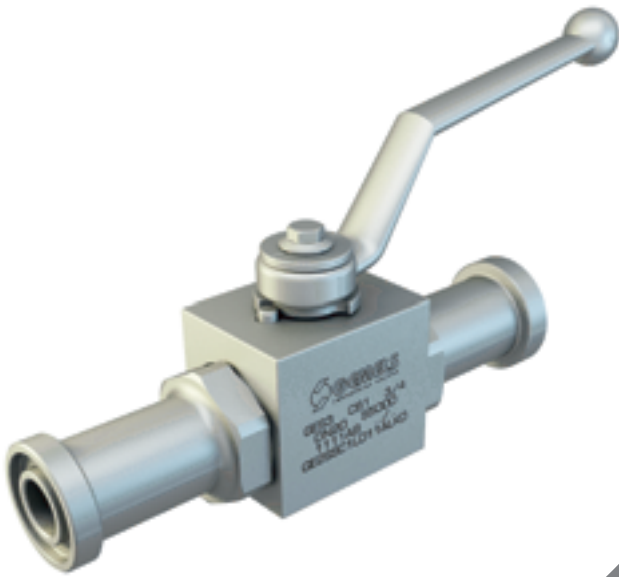



+ GES

2-WAY HIGH PRESSURE BALL VALVES




CARBON STEEL

- Type: ball valve GES 2 way 
- Body: block
- Material: 1,0737
- Ball seats: from DN13 up to DN25
- O-Rings: NBR, FKM, EPDM, MVQ
- Operating pressure: S3000 (PN210) S6000 (PN420) depending on valve size and seal materials selected
- Temp range: -20°C to +100°C depending on seal material selected

GE	S3	DN13	1	1	1	1	A	B
Type and way of valve GE 2-way	Valves dimension of pressure (psi) S3 S6 S3000 S6000	Nominal dimension DN13 DN20 DN25	Body material 1 1,0737	Adapter material 1 1,0737	Stem material 1 1,0737	Ball material 1 1,0737	Ball seat material A POM D PEEK G PA612 K GEMPTFE C PTFE	Adapter and stem seal material B NBR E FKM F EPDM L MVQ

STAINLESS STEEL

- Type: ball valve GES 2 way 
- Body: block
- Material: 1,4404
- Ball seats: from DN13 up to DN25
- O-Rings: NBR, FKM, EPDM, MVQ
- Operating pressure: S3000 (PN210) S6000 (PN420) depending on valve size and seal materials selected
- Temp range: -60°C to +230°C depending on seal material selected

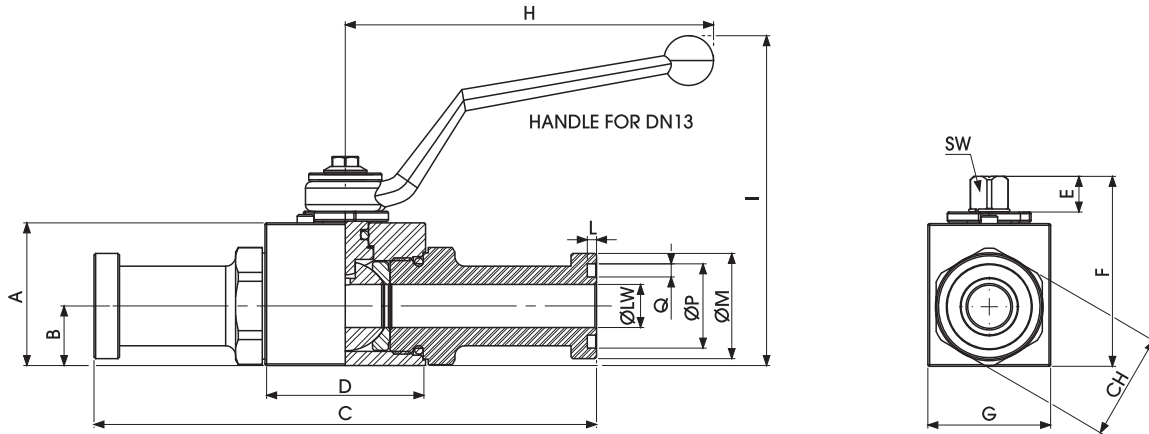
GE	S3	DN13	4	4	4	4	A	B
Type and way of valve GE 2-way	Valves dimension of pressure (psi) S3 S6 S3000 S6000	Nominal dimension DN13 DN20 DN25	Body material 4 1,4404	Adapter material 4 1,4404	Stem material 4 1,4404	Ball material 4 1,4404	Ball seat material A POM D PEEK G PA612 K GEMPTFE C PTFE	Adapter and stem seal material B NBR E FKM F EPDM L MVQ





2-WAY HIGH PRESSURE BALL VALVES

Specialist in Ball Valves



GES SAE J518 S3000

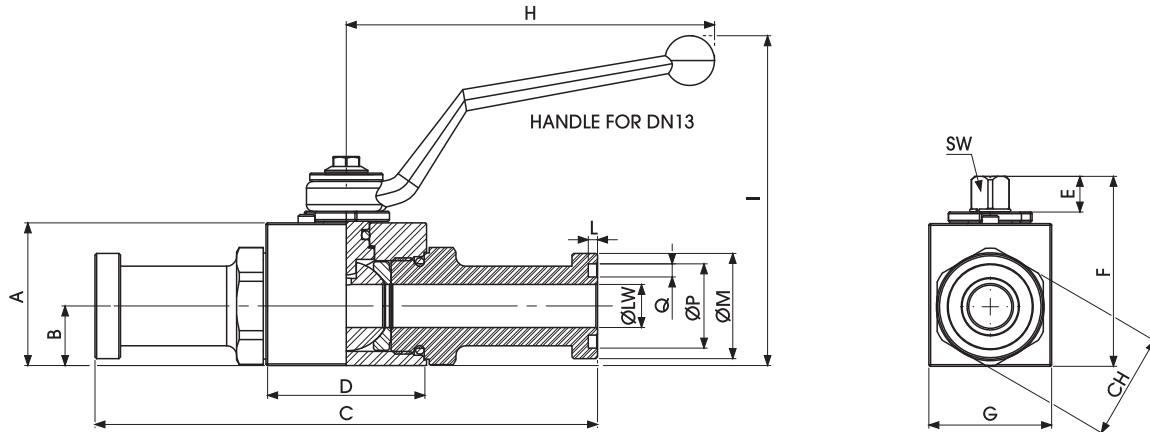
Standard

TYPE	PN	DN	A	B	C	D	E	F	G	H	I	L	ØM	CH	ØP	Q	SW	ØLW	KG	CARBON STEEL	STAINLESS STEEL
																				ITEM CODE	ITEM CODE
GES3	5000 Psi	13	43	18	151,5	48,4	11	57	37	110	99,5	2,79	30,2	32	25,4	3,94	9	13	0,96	GE2SSC0L011A000	GE2SSC0L044A000
GES3	5000 Psi	20	55	23,4	162	62,5	14	73,5	45	180	106,5	2,79	38,1	41	31,75	3,94	14	20	1,717	GE2SSC1L011A000	GE2SSC1L044A000
GES3	5000 Psi	25	65	29,5	178	66,5	14	83,5	55	180	116,5	2,79	44,4	50	39,2	3,94	14	25	2,597	GE2SSC2L011A000	GE2SSC2L044A000

+ GES

2-WAY HIGH PRESSURE BALL VALVES

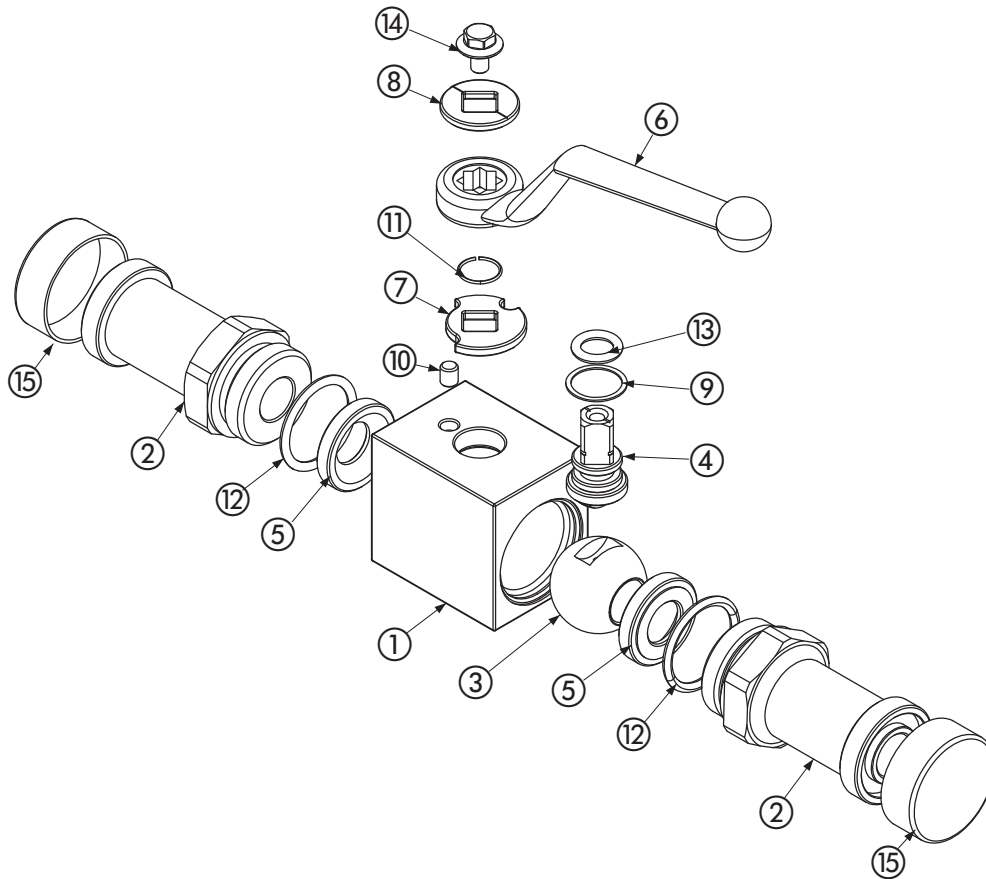
www.gemels.it



GES SAE J518 S6000

Standard

TYPE	PN	DN	A	B	C	D	E	F	G	H	I	L	ØM	CH	ØP	Q	SW	ØLW	KG	CARBON STEEL	STAINLESS STEEL
																				ITEM CODE	ITEM CODE
GES6	6000 Psi	13	43	18	151,5	48,4	11	57	37	110	99,5	2,79	31,6	32	25,4	3,94	9	13	0,956	GE2SSC6G011A000	GE2SSC6G044A000
GES6	5800 Psi	20	55	23,4	174	62,5	14	73,5	45	180	106,5	2,79	41,3	41	31,75	3,94	14	20	1,792	GE2SSC74011A000	GE2SSC74044A000
GES6	5000 Psi	25	65	29,5	198	66,5	14	83,5	55	180	116,5	2,79	47,8	50	39,2	3,94	14	25	2,759	GE2SSC83011A000	GE2SSC83044A000



Carbon steel

Pos	Description	Material	Q.tà
1	Body	1,0737	1
2	Adapter	1,0737	2
3	Ball	1,0737	1
4	Stem	1,0737	1
5	Ball seat	POM	2
6	Handle	ZINC	1
7	Washer	1,0116	1
8	Washer	1,0116	1
9	Stem ring	POM	1
10	Spine	1,0737	1
11	Seeger	1,4301	1
12	Adapter o-ring	NBR	2
13	Stem o-ring	NBR	1
14	Screw	Din 6921 8.8	1
15	Caps	PVC	2

- On request**
- Reduced bore
 - O-Ring in FKM, EPDM, HNBR, KALREZ
 - Seals in PTFE, PEEK, PA612, GEMPTFE, METAL TO METAL
 - Special threads
 - Stem in stainless steel 1,4404
 - Ball in stainless steel 1,4404
 - Pressure class up to PN6000 Psi
 - Pneumatic and electrical actuator
 - Locking device

Stainless steel

Pos	Description	Material	Q.tà
1	Body	1,4404	1
2	Adapter	1,4404	2
3	Ball	1,4404	1
4	Stem	1,4404	1
5	Ball seat	POM	2
6	Handle	ZINC	1
7	Washer	1,4301	1
8	Washer	1,4301	1
9	Stem ring	POM	1
10	Spine	1,4301	1
11	Seeger	1,4301	1
12	Adapter o-ring	NBR	2
13	Stem o-ring	NBR	1
14	Screw	Din 6921 A2	1
15	Caps	PVC	2

- On request**
- Reduced bore
 - O-Ring in FKM, EPDM, HNBR, KALREZ
 - Seals in PTFE, PEEK, PA612, GEMPTFE, METAL TO METAL
 - Special threads
 - Pressure class up to PN6000 Psi
 - Pneumatic and electrical actuator
 - Locking device

For further special requests please consult our technical/commercial service