



FT 1237/5

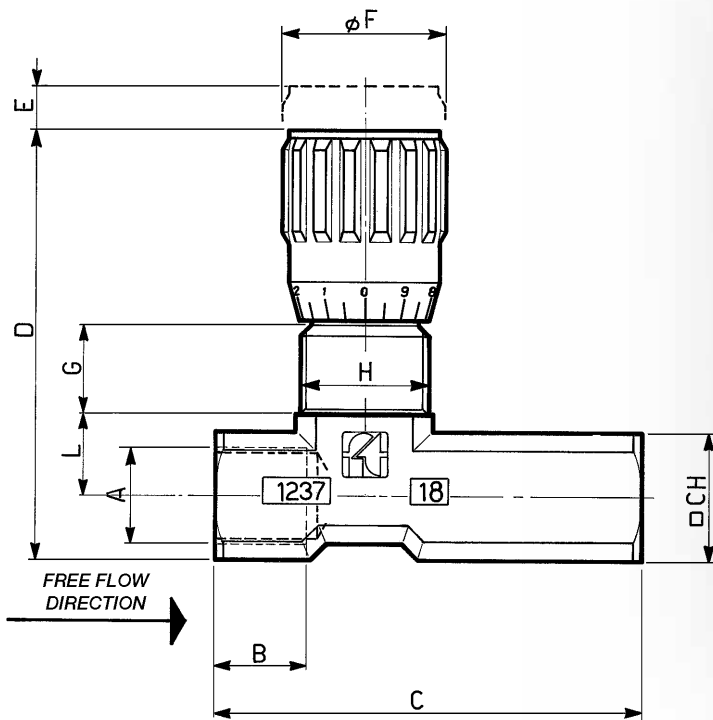


### MATERIALS

BODY	OT 58 - UNI 5705 - BLACK CHROMIUM PLATING
NEEDLE	X 10 CR NI S 1809 - UNI EN 10088
OR	NITRILE
ANTIEXTRUSION RING	PTFE
KNOB	GD AL SI 12 - UNI 5706
SPRING	AISI 302
BALL	UNI 100 C 6
BALL GUIDE	NYLON 66 + CARBON FIBER

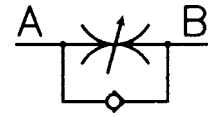
### EXAMPLE FOR ORDERING

	CODE	TYPE	PANEL RING NUT	VITON SEAL
BRASS	FT 1237/5	18	G	V



### DIMENSIONS

TYPE	A UNI 338	B	C	D	E	ØF	G	H	L	□ CH	WEIGHT KG
18	1/8" G	8	46,5	55	4	22	12	M15x1	9,5	15	0,110



## SINGLE-ACTING FINE CONTROL VALVES IN LINE

It is the solution for application requiring special adjustment of small flow rates. For both hydraulic-pneumatic applications with flow rate up to max. 3 l/min. They can be used also with fluids different from oil, such as: gas and liquids in general.

This version has the same characteristics as the series FT 1250 and it maintains its main characteristics:

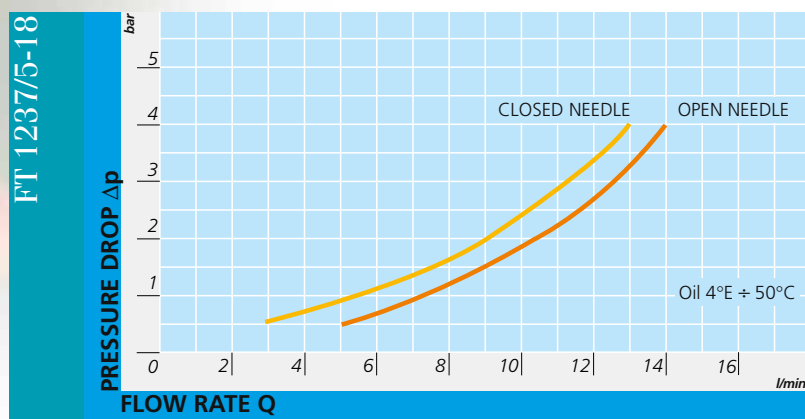
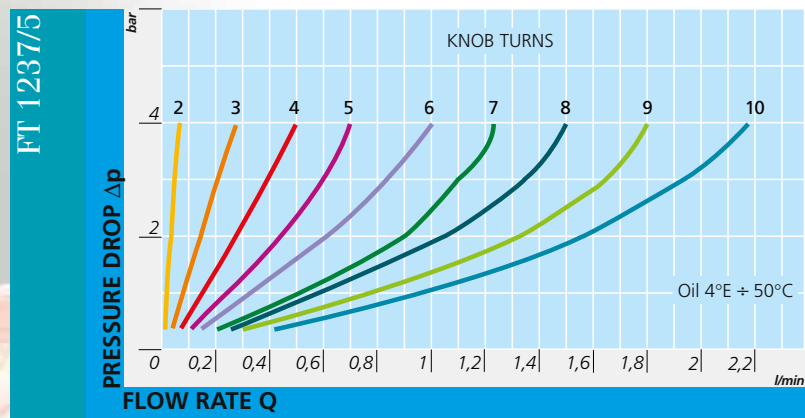
- metallic sealing;
- provision for panel mounting;
- security against accidental needle withdrawal.

### On request

- NPT threads
- Viton (V) seals



# FT 1237/5



## TECHNICAL DATA

TYPE	FLOW SQ MM <sup>2</sup>	MAX WORKING PRESSURE BAR	WORKING TEMPERATURE °C	FILTRATION GRADE μM
18	3,14	210	-20°/+100°	25