

unidirectional pump - series XV

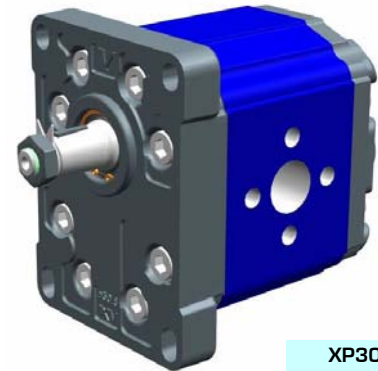
XV-3P

STANDARD EUROPEAN PUMP
ø50.8 FLANGE - TAPER SHAFT



X 3 P 78 02 A B B A

| | | |
|--------------|-----|---------------------------------------|
| Series | X | series XV |
| Group | 3 | group 3 |
| Category | P | unidirectional pump |
| Displacement | 78 | 38 |
| Flange | 02 | ø50.8 right rotation |
| Shaft | A | CO001 - Tapered 1:8 - ø22 - key thk.4 |
| Body | IN | inlet - ø51 ø27 M10 |
| | OUT | outlet - ø51 ø27 M10 |
| Cover | A | standard |



XP301

Technical data table

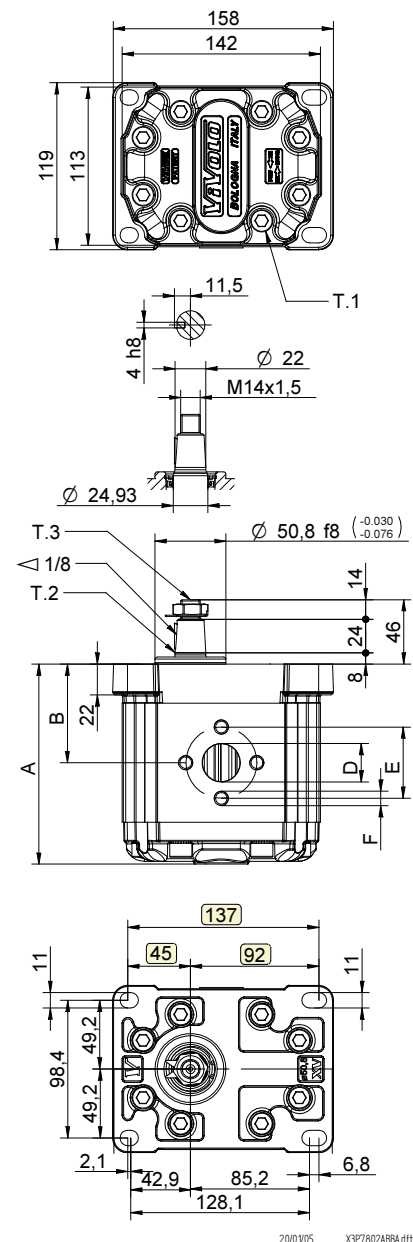
| TYPE | Displacement cm3/rev | Max. Pressure | | CODE | |
|----------|-------------------------|---------------|--------|---------------------|---------------------|
| | | P1 bar | P3 bar | Left rotation | Right rotation |
| XV-3P/15 | 14,89 | 300 | 320 | X 3 P 66 01 A A A A | X 3 P 66 02 A A A A |
| XV-3P/18 | 17,37 | 300 | 320 | X 3 P 68 01 A A A A | X 3 P 68 02 A A A A |
| XV-3P/21 | 21,10 | 280 | 300 | X 3 P 70 01 A A A A | X 3 P 70 02 A A A A |
| XV-3P/27 | 26,97 | 250 | 270 | X 3 P 72 01 A A A A | X 3 P 72 02 A A A A |
| XV-3P/32 | 32,27 | 250 | 270 | X 3 P 74 01 A B B A | X 3 P 74 02 A B B A |
| XV-3P/38 | 38,47 | 250 | 270 | X 3 P 78 01 A B B A | X 3 P 78 02 A B B A |
| XV-3P/43 | 43,44 | 250 | 270 | X 3 P 79 01 A B B A | X 3 P 79 02 A B B A |
| XV-3P/47 | 47,16 | 230 | 250 | X 3 P 80 01 A B B A | X 3 P 80 02 A B B A |
| XV-3P/51 | 50,88 | 230 | 250 | X 3 P 81 01 A B B A | X 3 P 81 02 A B B A |
| XV-3P/54 | 54,60 | 230 | 250 | X 3 P 82 01 A B B A | X 3 P 82 02 A B B A |
| XV-3P/61 | 60,81 | 230 | 250 | X 3 P 83 01 A C C A | X 3 P 83 02 A C C A |
| XV-3P/64 | 64,53 | 210 | 230 | X 3 P 85 01 A C C A | X 3 P 85 02 A C C A |
| XV-3P/70 | 70,74 | 200 | 220 | X 3 P 86 01 A C C A | X 3 P 86 02 A C C A |
| XV-3P/74 | 74,46 | 180 | 200 | X 3 P 87 01 A C C A | X 3 P 87 02 A C C A |
| XV-3P/90 | 86,87 | 150 | 170 | X 3 P 89 01 A C C A | X 3 P 89 02 A C C A |

P1) Max. working pressure - P3) Max. peak pressure

For heavy-duty applications, it is recommended to check the admissible torque of the shaft

Dimensions table

| TYPE | Weight kg | A | B | D | E | F | D | E | F |
|----------|--------------|-------|------|-----|----|-----|-----|----|-----|
| | | mm | mm | IN | | | OUT | | |
| XV-3P/15 | 7,010 | 124,0 | 61,0 | ø20 | 40 | M8 | ø20 | 40 | M8 |
| XV-3P/18 | 7,070 | 126,0 | 62,0 | ø20 | 40 | M8 | ø20 | 40 | M8 |
| XV-3P/21 | 7,150 | 129,0 | 63,5 | ø20 | 40 | M8 | ø20 | 40 | M8 |
| XV-3P/27 | 7,250 | 133,0 | 65,5 | ø20 | 40 | M8 | ø20 | 40 | M8 |
| XV-3P/32 | 7,390 | 138,0 | 68,0 | ø27 | 51 | M10 | ø27 | 51 | M10 |
| XV-3P/38 | 7,520 | 143,0 | 70,5 | ø27 | 51 | M10 | ø27 | 51 | M10 |
| XV-3P/43 | 7,630 | 147,0 | 72,5 | ø27 | 51 | M10 | ø27 | 51 | M10 |
| XV-3P/47 | 7,710 | 150,0 | 74,0 | ø27 | 51 | M10 | ø27 | 51 | M10 |
| XV-3P/51 | 7,790 | 153,0 | 75,5 | ø27 | 51 | M10 | ø27 | 51 | M10 |
| XV-3P/54 | 7,870 | 156,0 | 77,0 | ø27 | 51 | M10 | ø27 | 51 | M10 |
| XV-3P/61 | 8,010 | 161,0 | 79,5 | ø36 | 62 | M10 | ø36 | 62 | M10 |
| XV-3P/64 | 8,090 | 164,0 | 81,0 | ø36 | 62 | M10 | ø36 | 62 | M10 |
| XV-3P/70 | 8,220 | 169,0 | 83,5 | ø36 | 62 | M10 | ø36 | 62 | M10 |
| XV-3P/74 | 8,300 | 172,0 | 85,0 | ø36 | 62 | M10 | ø36 | 62 | M10 |
| XV-3P/90 | 8,570 | 182,0 | 90,0 | ø36 | 62 | M10 | ø36 | 62 | M10 |



T.1 = 60÷65 [Nm] - screw tightening torque M10

T.3 = 75 [Nm] - torque wrench setting 22

T.2 = 482 [Nm] - admissible shaft torque (N.B. When choosing a shaft, always check the admissible torque).

Table of variations

XV-3P

ø50.8 FLANGE

| ø50.8 FLANGE | | Shaft | | Cover | |
|---------------|----------------|---------------------------------------|----------------------------------------|---------------|----------------|
| Left rotation | Right rotation | | | Left rotation | Right rotation |
| | | CO001 - Tapered T.2 = 482 [Nm] | CI001 - Parallel T.2 = 181 [Nm] | | |
| 01 | 02 | A | B | A | A |
| | | SCF03 - Splined T.2 = 223 [Nm] | CI004 - Parallel T.2 = 180 [Nm] | | |
| | | C | H | B | B |
| | | SCF04 - Splined T.2 = 264 [Nm] | | | |
| | | I | | C | C |
| | | | | | |
| | | | | D | D |

| Displacement | |
|--------------|------|
| TYPE | CODE |
| XV-3P/15 | 66 |
| XV-3P/18 | 68 |
| XV-3P/21 | 70 |
| XV-3P/27 | 72 |
| XV-3P/32 | 74 |
| XV-3P/38 | 78 |
| XV-3P/43 | 79 |
| XV-3P/47 | 80 |
| XV-3P/51 | 81 |
| XV-3P/54 | 82 |
| XV-3P/61 | 83 |
| XV-3P/64 | 85 |
| XV-3P/70 | 86 |
| XV-3P/74 | 87 |
| XV-3P/90 | 89 |

| Displacement cm3/rev | Standard bodies | | |
|----------------------|------------------|-------|-------|
| | Standard threads | | |
| 15 | A - A | D - D | H - H |
| 18 | A - A | D - D | H - H |
| 21 | A - A | D - D | H - H |
| 27 | A - A | E - E | H - H |
| 32 | B - B | E - E | H - H |
| 38 | B - B | E - E | H - H |
| 43 | B - B | E - E | H - H |
| 47 | B - B | E - E | H - H |
| 51 | B - B | E - E | H - H |
| 54 | B - B | E - E | H - H |
| 61 | C - C | F - F | |
| 64 | C - C | F - F | |
| 70 | C - C | F - F | |
| 74 | C - C | F - F | |
| 90 | C - C | F - F | |

Table showing standard flange and thread combinations available in stock

| Body (threads/flanges) | | | | | | | | | | | | | |
|------------------------|---|--|---|--|---|--|---|--|---|--|---|--|---|
| | A | | B | | C | | D | | E | | F | | G |
| | H | | I | | L | | M | | N | | O | | P |
| Closed Body | Z | | | | | | | | | | | | |