

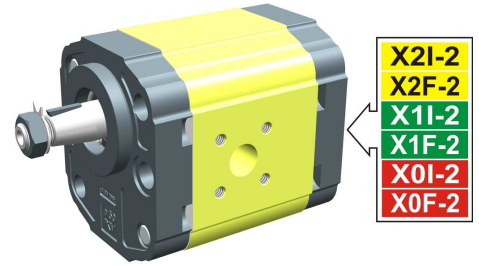
# entrainment pump - series XV

**X2T**

"BH" DRIVING PUMP  
 ø50 BODY-SHAPED FLANGE - TAPER SHAFT

**X 2 T 51 12 F S R D**

Series	X	series XV
Group	2	group 2
Category	T	entrainment pump
Displacement	51	17
Flange	12	ø50 BH GERMAN STARDARDIZED right rotation
Shaft	F	COP02 - Tapered 1:5 - ø17.4 - M12x1.5 - key thk.3
Body	IN	inlet - Ø40 a 45° Ø20 M6
	OUT	outlet - Ø35 a 45° Ø15 M6
Cover	D	ø36,5 body-shaped female cover for left multiple pump element



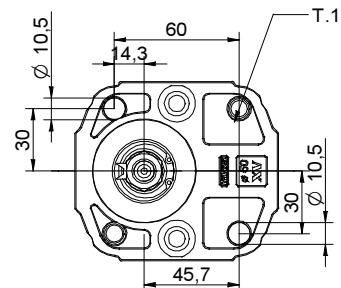
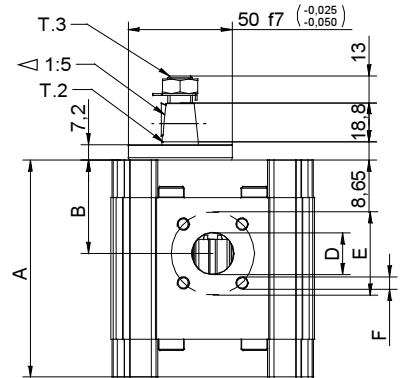
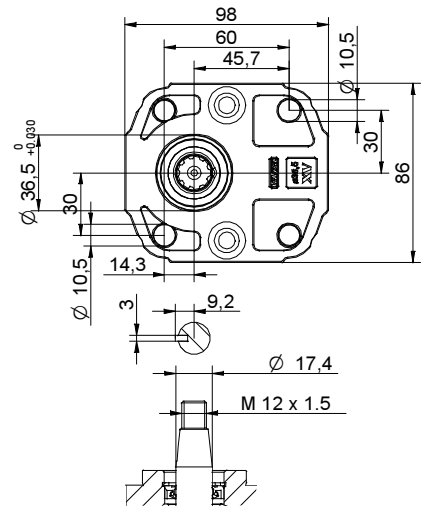
**XT210**

Technical data table																					
TYPE	Displacement cm3/rev	Max. Pressure		CODE																	
		P1 bar	P3 bar	Left rotation			Right rotation														
X2T/04	4,20	260	300	X	2	T	41	11	F	S	R	D	X	2	T	41	12	F	S	R	D
X2T/06	6,00	260	300	X	2	T	43	11	F	S	R	D	X	2	T	43	12	F	S	R	D
X2T/09	8,40	260	300	X	2	T	45	11	F	S	R	D	X	2	T	45	12	F	S	R	D
X2T/11	10,80	260	300	X	2	T	47	11	F	S	R	D	X	2	T	47	12	F	S	R	D
X2T/14	14,40	250	290	X	2	T	49	11	F	S	R	D	X	2	T	49	12	F	S	R	D
X2T/17	16,80	230	270	X	2	T	51	11	F	S	R	D	X	2	T	51	12	F	S	R	D
X2T/19	19,20	210	250	X	2	T	53	11	F	S	R	D	X	2	T	53	12	F	S	R	D
X2T/22	22,80	200	240	X	2	T	55	11	F	S	R	D	X	2	T	55	12	F	S	R	D
X2T/26	26,20	170	210	X	2	T	57	11	F	S	R	D	X	2	T	57	12	F	S	R	D
X2T/30	30,00	160	200	X	2	T	59	11	F	S	S	D	X	2	T	59	12	F	S	S	D
X2T/34	34,20	150	190	X	2	T	61	11	F	S	S	D	X	2	T	61	12	F	S	S	D
X2T/40	39,60	140	180	X	2	T	63	11	F	S	S	D	X	2	T	63	12	F	S	S	D

P1) Max. working pressure - P3) Max. peak pressure

For heavy-duty applications, it is recommended to check the admissible torque of the shaft

Dimensions table									
TYPE	Weight kg	A	B	D	E	F	D	E	F
		mm	mm	IN			OUT		
X2T/04	2,100	83,4	38,6	ø20	40	M6x1	ø15	35	M6x1
X2T/06	2,200	86,4	38,6	ø20	40	M6x2	ø15	35	M6x1
X2T/09	2,300	90,4	40,6	ø20	40	M6x3	ø15	35	M6x1
X2T/11	2,400	94,4	45,0	ø20	40	M6x4	ø15	35	M6x1
X2T/14	2,600	100,4	45,0	ø20	40	M6x5	ø15	35	M6x1
X2T/17	2,700	104,4	45,0	ø20	40	M6x6	ø15	35	M6x1
X2T/19	2,800	108,4	45,0	ø20	40	M6x7	ø15	35	M6x1
X2T/22	2,950	114,4	52,5	ø20	40	M6x8	ø15	35	M6x1
X2T/26	3,050	118,4	52,5	ø20	40	M6x9	ø15	35	M6x1
X2T/30	3,300	126,4	60,7	ø20	40	M6x10	ø20	40	M6x1
X2T/34	3,500	133,4	60,7	ø20	40	M6x11	ø20	40	M6x1
X2T/40	3,700	142,4	60,7	ø20	40	M6x12	ø20	40	M6x1



02/04/08 X2T5112E SR0.dft

T.1 = 54÷58.9 [Nm] - screw tightening torque M10

T.3 = 40 [Nm] - torque wrench setting 19

T.2 = 233.2 [Nm] - admissible shaft torque (N.B. When choosing a shaft, always check the admissible torque).

# Table of variations

**X2T**

## ø50 "BH" Body-Shaped FLANGE

ø50 "BH" Body-Shaped FLANGE				Shaft				Cover		
Left rotation		Right rotation						Left rotation	Right rotation	
	11		12	CIP01 - Parallel T.2 = 44.1 [Nm]		CIP02 - Parallel T.2 = 67.5 [Nm]				A
	13		14	COP01 - Tapered T.2 = 233.2 [Nm]		COP02 - Tapered T.2 = 233.2 [Nm]				D
	15		16	SCP03 - Splined T.2 = 86.2 [Nm]		H				
	17		18							

Displacement	
TYPE	CODE
X2T/04	41
X2T/06	43
X2T/09	45
X2T/11	47
X2T/14	49
X2T/17	51
X2T/19	53
X2T/22	55
X2T/26	57
X2T/30	59
X2T/34	61
X2T/40	63

Standard bodies						
Displacement cm3/rev	Standard threads					
	4	O - O	S - R	B - B	L - M	Z - Z
6	O - O	S - R	B - B	L - M	Z - Z	
9	O - O	S - R	B - B	L - M	Z - Z	
11	O - O	S - R	B - B	L - M	Z - Z	
14	P - O	S - R	C - B	L - M	Z - Z	
17	P - O	S - R	C - B	L - M	Z - Z	
19	P - O	S - R	C - B	L - M	Z - Z	
22	P - O	S - R	C - B	L - M	Z - Z	
26	Q - P	S - R	D - C	L - M	Z - Z	
30	Q - P	S - S	D - C	L - M	Z - Z	
34	Q - P	S - S	D - C	L - M	Z - Z	
40	Q - P	S - S	D - C	L - M	Z - Z	

Table showing standard flange and thread combinations available in stock

Body (threads/flanges)													
	A		B		C		D		E		F		G
	H		I		L		M		N		O		P
	Q		R		S		T		U		V	<b>Closed Body</b>	Z