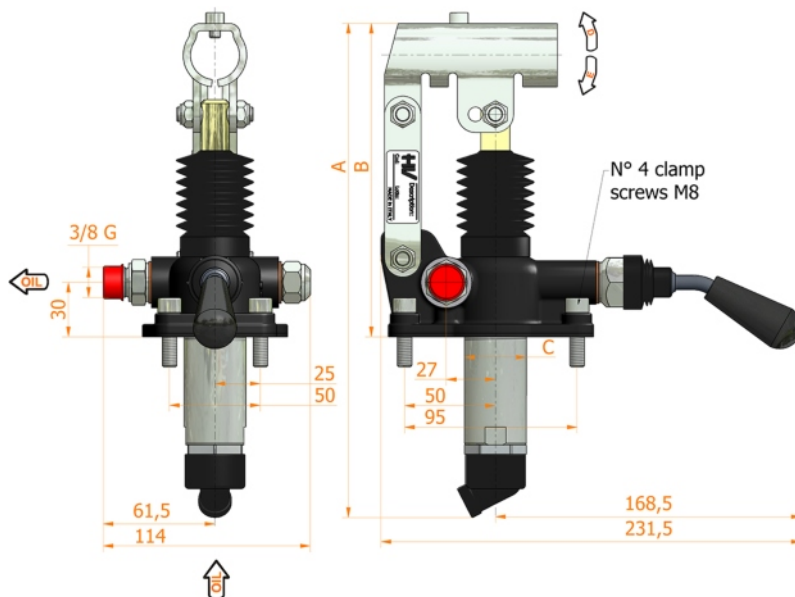
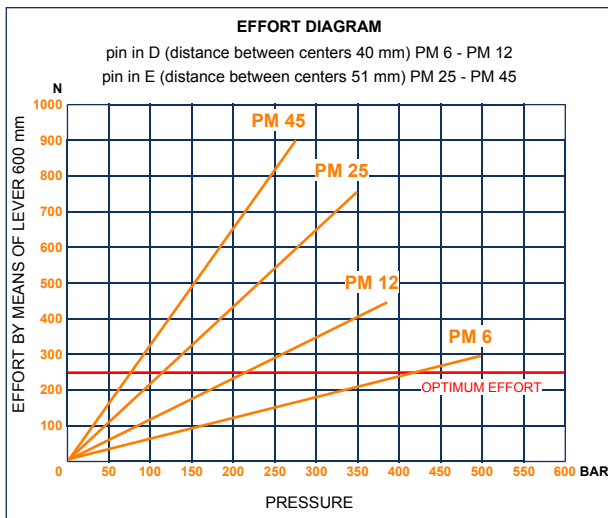
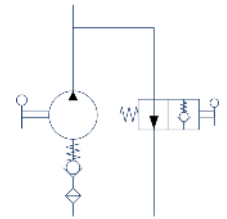




PM 6-12-25-45 mna-s

with normally open manipulator
double acting hand pump for single acting cylinder
for fixing to tank



Specifications:

- Cast iron body
- Piston treated with Niploy
- White zinc plated support lever
- Lever connection Ø 27
- White zinc plated external parts
- Standard colour black
- Oil tank mounting kit included

DISPLACEMENT cm ³	A mm	B mm	C mm	D °	E °	ACTUAL DISPLACEMENT cm ³	PRESSURE BAR		MASS KG	CODE WITHOUT BELLOWS	CODE WITH BELLOWS
							OPTIMAL	MAX			
6	253	166	34	26	31	6,970	420	500	2,900	6049.0139	6049.0140
12	253	166	34	26	31	12,095	220	380	2,900	6050.0139	6050.0140
25	273	172	34	30	30	25,280	120	350	2,950	6051.0139	6051.0140
45	283	172	40	45	33	44,532	80	208	3,000	6052.0139	6052.0140

HV Hydraulic S.r.l.

www.hvhydraulic.com - info@hvhydraulic.com
Via dell'Agricoltura, 162 - Loc. Castelletto di Serravalle - 40053 Valsamoggia (BO) Italy - Tel. +39 051 670.50.11 - Fax +39 051 670.53.74
© ALL RIGHTS RESERVED