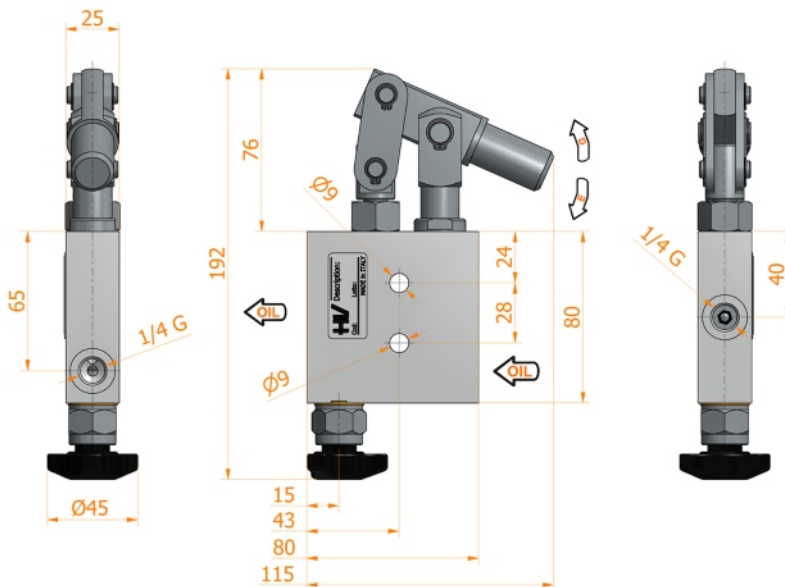
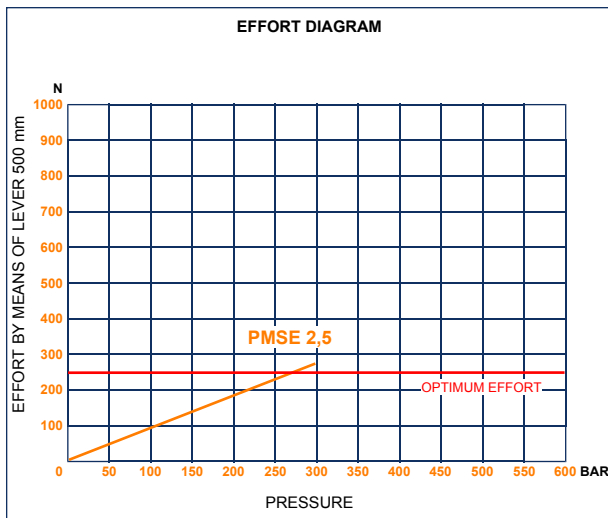
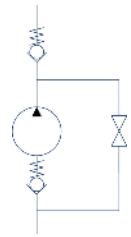




# PMSE 2,5

with release hand wheel  
single acting hand pump for a single acting cylinder  
for fixing to wall



**Specifications:**

- Aluminum body
- Piston treated with Niploy
- Hold lever of zinc plated steel
- Lever connection of diam. 20
- External parts of zinc plated steel

DISPLACEMENT cm <sup>3</sup>	A mm	B mm	C mm	D °	E °	ACTUAL DISPLACEMENT cm <sup>3</sup>	PRESSURE BAR		MASS KG	CODE
							OPTIMAL	MAX		
2,5	--	--	--	9	24	2,610	270	300	1,200	6064.0000