

AMF

1,2 MPa (12 bar)

Port sizes: 3/4" - 1" 1/4 - 1" 1/2

Flow rates: 7 ÷ 375 l/min

TECHNICAL DATA

Max. working pressure: 1,2 MPa (12 bar)

Max. test pressure: 1,5 MPa (15 bar)

Bursting pressure: 2,5 MPa (25 bar)

Fatigue test: 0 ÷ 1,2 MPa (12 bar) / 100.000 cycles

Bypass valve: suction 25 kPa (0,25 bar) ±10%
return 170 kPa (1,7 bar) ±10%

Filter element collapse pressure:
standard: Δp 400 kPa (4 bar)

Working temperature: -25 ÷ +110°C

MATERIALS

Head: die cast aluminium

Seals: standard NBR
on request FKM

COMPATIBILITY (ISO 2943:1999)

Full with fluids: HH-HL-HM-HV-HTG
(according to ISO 6743/4).

For fluids different than the above mentioned,
please contact our Sales Department.

All tests performed according
to the following standards:

ISO 2941: Element collapse resistance test

ISO 2942: Production integrity test

ISO 2943: Fluids compatibility

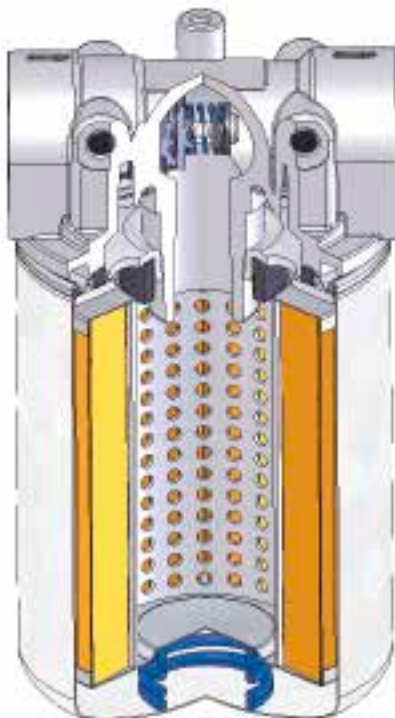
ISO 3723: End load test method

ISO 3724: Flow fatigue resistance method

ISO 3968: Pressure drop versus flow rate

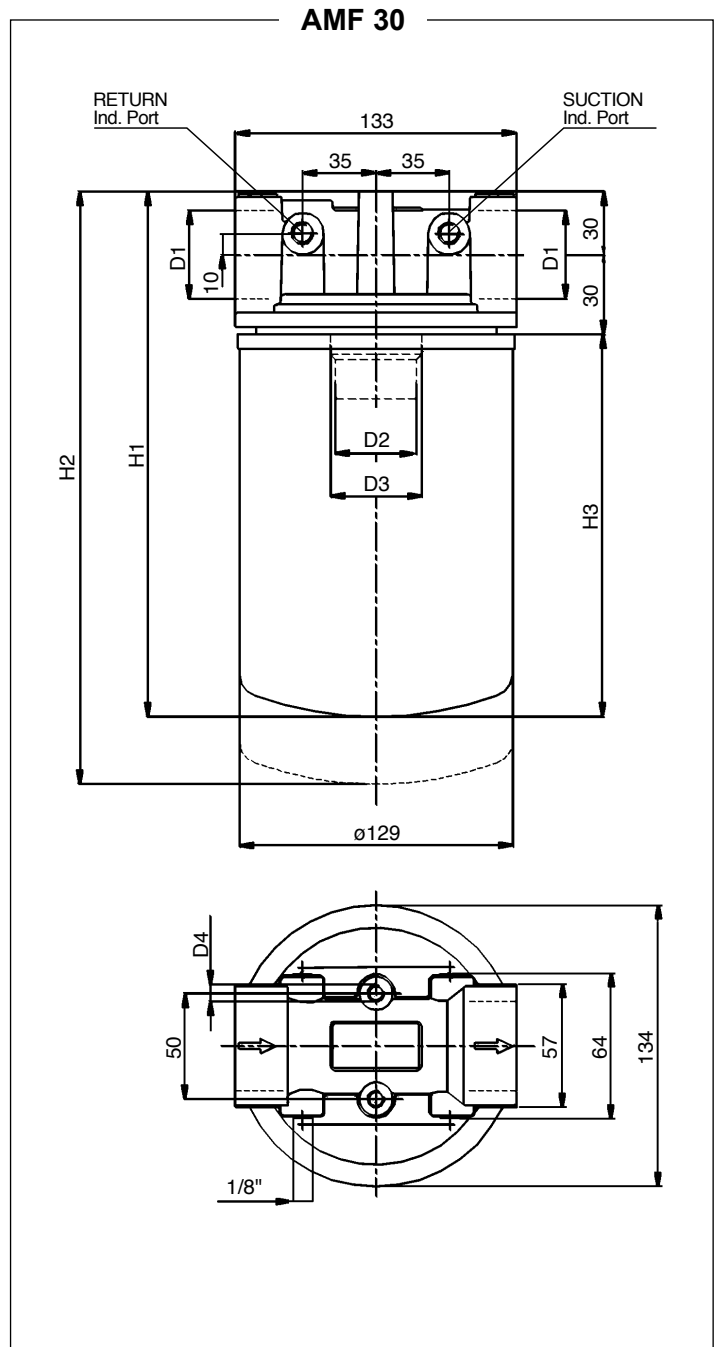
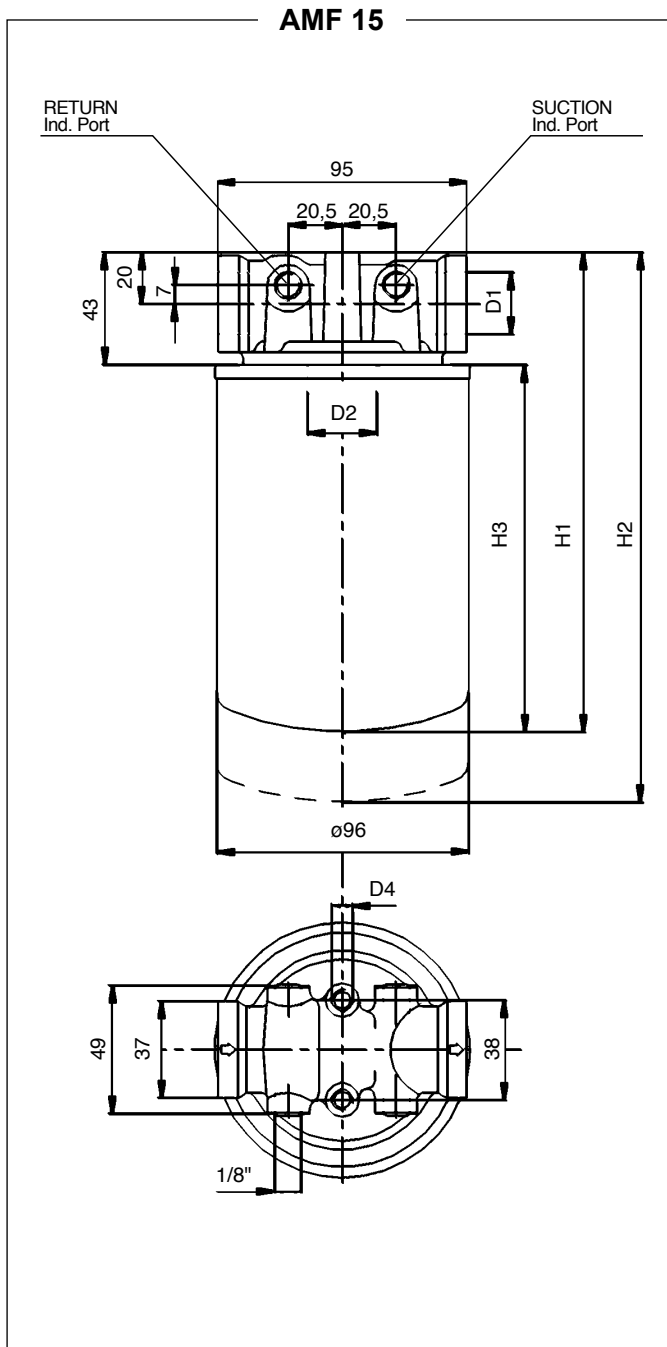
ISO 16889: Multipass test.

For further information contact our Technical Dept.



DIMENSIONAL LAYOUT

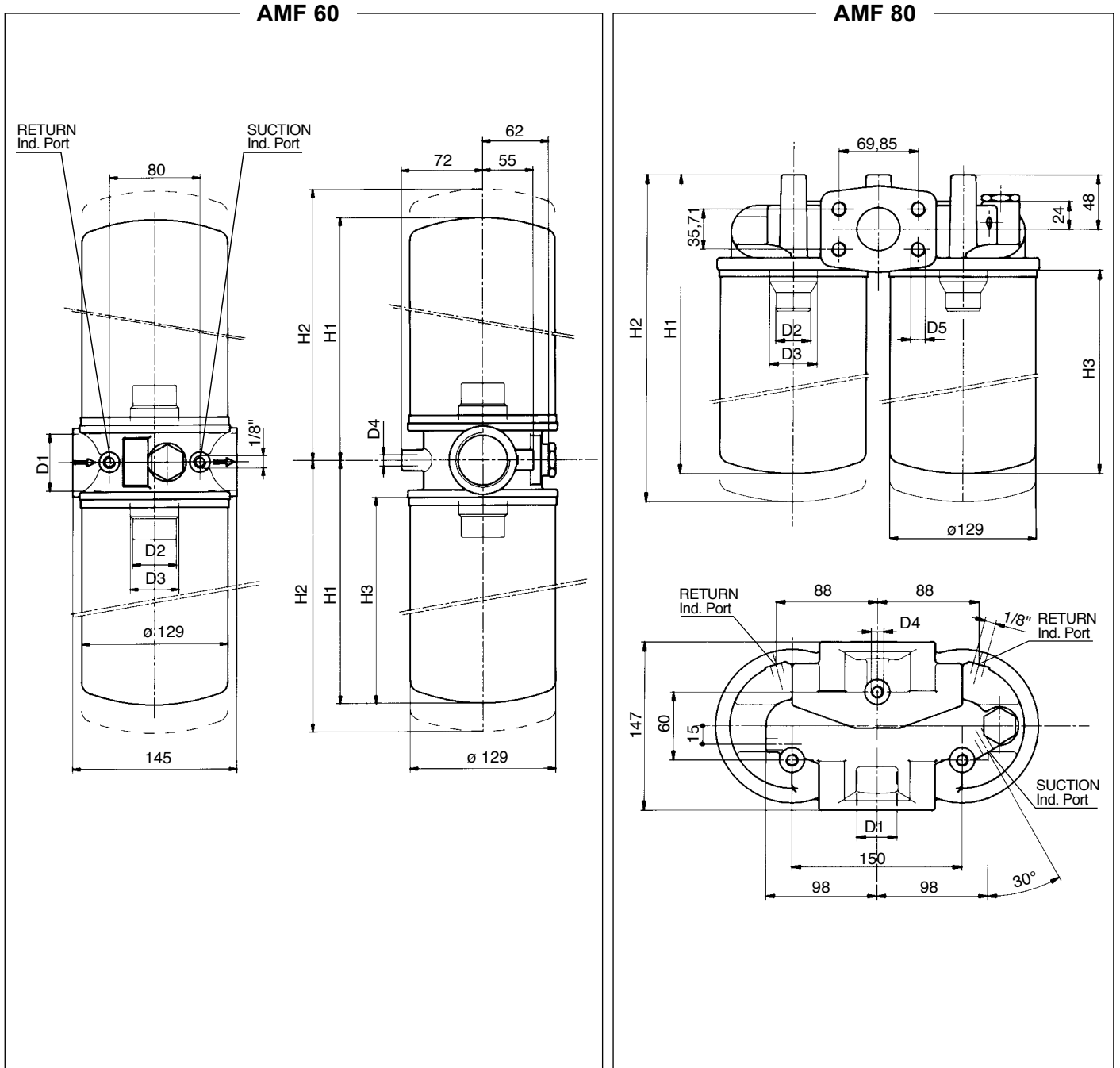
(mm)



Type	D1	D2	D3	D4	H1	H2	H3	Weight Kg
AMF 151...B	3/4" BSP	3/4" BSP	-	M8	188	208	145	0,8
AMF 152...B	3/4" BSP	3/4" BSP	-	M8	234	254	191	0,9
AMF 301...B	1" 1/4 BSP	1" 1/2 16 - UNF	1" 1/4 BSP	M8	248	278	181	1,8
AMF 302...B	1" 1/4 BSP	1" 1/2 16 - UNF	1" 1/4 BSP	M8	293	323	226	1,9

DIMENSIONAL LAYOUT

(mm)



Type	D1	D2	D3	D4	D5	H1	H2	H3	Weight Kg
AMF 601...B	1" 1/2 BSP	1" 1/2 16 - UN	1" 1/4 BSP	M10	-	216	246	181	3,4
AMF 602...B	1" 1/2 BSP	1" 1/2 16 - UN	1" 1/4 BSP	M10	-	261	291	226	3,8
AMF 801...B	1" 1/2 BSP	1" 1/2 16 - UN	1" 1/4 BSP	M10	-	269	299	181	4,7
AMF 802...B	1" 1/2 BSP	1" 1/2 16 - UN	1" 1/4 BSP	M10	-	314	344	226	5,1
AMF 801...F	1" 1/2 SAE 3000	1" 1/2 16 - UN	1" 1/4 BSP	M10	M12	269	299	181	4,7
AMF 802...F	1" 1/2 SAE 3000	1" 1/2 16 - UN	1" 1/4 BSP	M10	M12	314	344	226	5,1

CLOGGING INDICATORS

RETURN LINE

NBR	FKM	Pressure gauge	
30	-	Scale 0 ÷ 600 kPa (6 bar)	
P1	-	Setting 150 kPa (1,5 bar)	<p style="text-align: right;">ATEX 3 GD EEx e T6</p>
<small>SPDT, C.C. 30V: > max resistive or inductive load 3A - 1A respectively C.A. 125 or 250V: > max resistive or inductive load 3A - 0,5A respectively Protection IP65 - Connector DIN 43650</small>			
NBR	FKM	Visual pressure indicator	
R8	-	Setting 150 kPa (1,5 bar)	

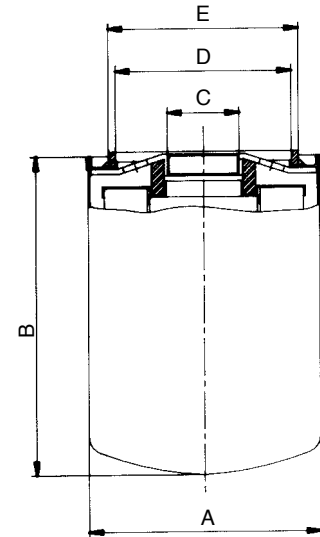
SUCTION LINE

NBR	FKM	Vacuum gauge	
10	-	Scale 0=100 kPa (1 bar)	
91	-	Setting 20 kPa (0,2 bar)	<p style="text-align: right;">ATEX 3 GD EEx e T6</p>
<small>SPDT, C.C. 30V: > max resistive or inductive load 3A - 1A respectively C.A. 125 or 250V: > max resistive or inductive load 3A - 0,5A respectively Protection IP65 - Connector DIN 43650</small>			
NBR	FKM	Visual vacuum indicator	
S8	-	Setting 25 kPa (0,25 bar)	

SPIN-ON ELEMENTS DIMENSIONAL LAYOUT

(mm)

Type	A	B	C	D	E	Weight Kg
CCA 151	95	145	3/4" BSP	62	72	0,6
CCA 152	95	191	3/4" BSP	62	72	0,7
CCA 301	129	181	1" 1/4 BSP	98	108	1,15
CCA 302	129	226	1" 1/4 BSP	98	108	1,4



FLOW RATES

(l/min)

SUCTION - $\Delta p = 5 \div 10$ kPa (0,05 \div 0,10 bar)

RETURN - $\Delta p = 40 \div 50$ kPa (0,4 \div 0,5 bar)

Type	Filter Media							
	FT	FC	FD	FV	CD	CV	MS	MN
AMF 151	7	9	13	15	16	20	30	30
AMF 152	8	11	15	20	22	30	35	35
AMF 301	18	32	40	50	53	60	95	95
AMF 302	27	40	54	65	70	78	100	100
AMF 601	48	70	95	110	115	130	150	150
AMF 602	55	79	102	128	130	145	150	150
AMF 801	48	70	95	110	115	130	150	150
AMF 802	55	79	102	128	130	145	150	150

Type	Filter Media							
	FT	FC	FD	FV	CD	CV	MS	MN
AMF 151	30	35	48	65	68	73	80	80
AMF 152	34	41	55	69	74	80	90	90
AMF 301	87	102	118	125	130	170	190	190
AMF 302	92	110	125	135	150	188	205	205
AMF 601	190	242	270	280	290	325	360	360
AMF 602	205	255	283	292	305	340	375	375
AMF 801	190	242	270	280	290	325	360	360
AMF 802	205	255	283	292	305	340	375	375

The reference fluid has a kinematic viscosity of 30 cSt and a density of 0,86 Kg/dm³.
For different oil viscosity please contact our Sales Department for further information.

DIRT HOLDING CAPACITY

(g) ISO MTD $\Delta p = 400$ kPa (4 bar)

Type	Filter Media			
	FT	FC	FD	FV
CCA 151...	12,3	17,2	19,6	30,0
CCA 152...	20,8	29,2	33,3	50,4
CCA 301...	25,5	35,7	40,9	62,3
CCA 302...	33,8	47,3	53,8	82,5

FILTER AREA

(cm²)

Filter Media			
MS	MN	CD	CV
980	980	3305	3305
1390	1390	4745	4745
1940	1940	5560	5560
2570	2570	7360	7360