

CAL

Port size: \varnothing 30-35-38-45
 Flow rate: up to 100 l/min

TECHNICAL DATA

Working temperature: $-25^{\circ}\text{C} \div +110^{\circ}\text{C}$

MATERIALS

Housing: zinc plated steel

COMPATIBILITY (ISO 2943:1999)

Full with fluids: HH-HL-HM-HV-HTG
 (according to ISO 6743/4).

For fluids different than the above mentioned, please contact our Sales Department.

All tests performed according

to the following standards:

ISO 2941: Element collapse resistance test

ISO 2942: Production integrity test

ISO 2943: Fluids compatibility

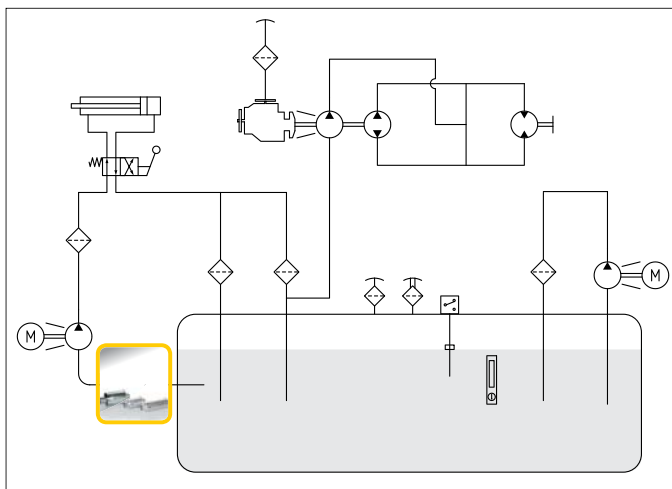
ISO 3723: End load test method

ISO 3724: Flow fatigue resistance method

ISO 3968: Pressure drop versus flow rate

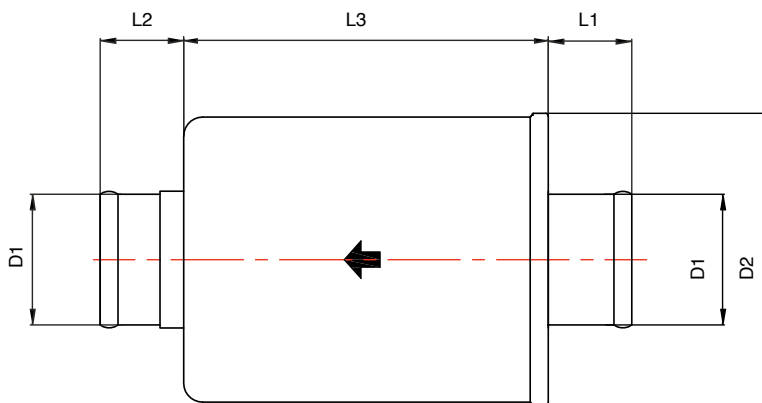
ISO 16889: Multipass test.

For further information contact our Technical Dept.



DIMENSIONAL LAYOUT

(mm)



The reference fluid has a kinematic viscosity of 30 cSt and a density of 0,86 Kg/dm³.
 For different oil viscosity please contact our Sales Department for further information.

Complete Filter Code	Nominal Flow Rate l/min	Filter Media	D1	D2	L1	L2	L3	Weight (Kg)
CAL305 MC	40	Wire mesh 160 μm	30	72	23	23	100	0,35
CAL355 MC	45	Wire mesh 160 μm	35	80	22	22	96	0,35
CAL385 MC	65	Wire mesh 160 μm	38	72	23	23	100	0,35
CAL387 MC	85	Wire mesh 160 μm	38	72	23	23	160	0,40
CAL455 MC	100	Wire mesh 160 μm	45	100	32	42	139	0,65