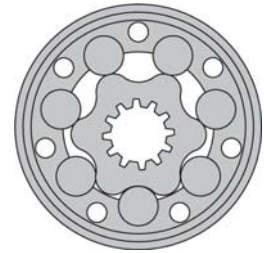
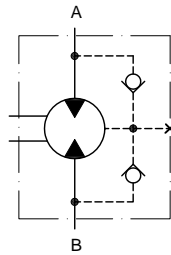


LOW SPEED HIGH TORQUE MOTORS OK

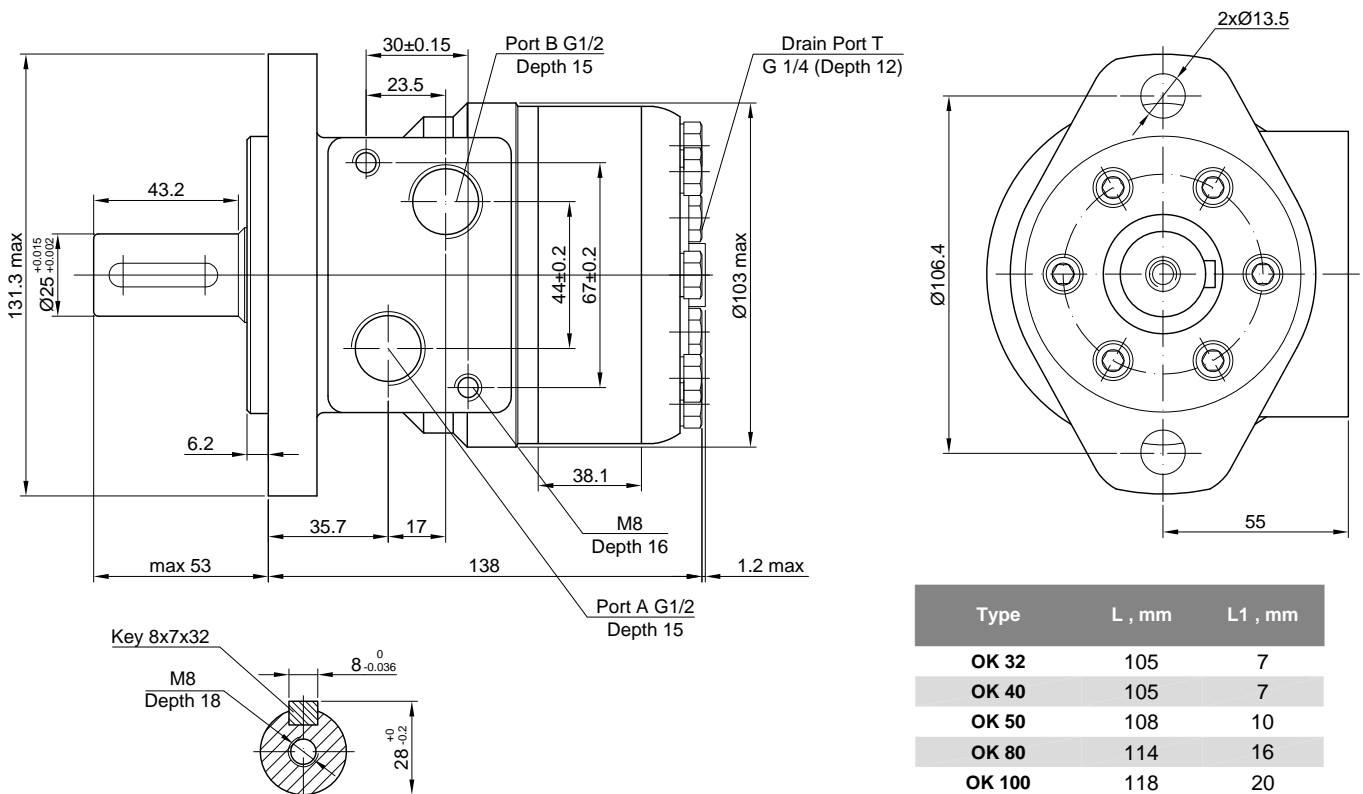


SPECIFICATION DATA

Code	Displacement [cm ³ /rev.]	Max. Speed, [RPM]		Max. Torque [daNm]		Max. Output [kW]		Max. Pressure Drop [bar]		Max. Oil Flow [lpm]
		cont.	int.	cont.	int.	cont.	int.	cont.	int.	
OK 32	32	1000	6,4	8,3	5,7	6,6	140	175	40	
OK 40	40	980	8	10,4	7,1	8,3	140	175	40	
OK 50	51,5	775	10	13	9	10,4	140	175	40	
OK 80	80,3	750	15,7	19,5	10,4	12,6	140	175	60	
OK 100	99,8	600	19,8	24	10,8	12,8	140	175	60	
OK 125	125,7	475	25	30	10,8	12,5	140	175	60	
OK 160	159,6	375	32	39	10,4	11,5	140	175	60	
OK 200	199,8	300	34	42	8,8	10,2	125	155	60	
OK 250	250,1	240	40	47	8,1	9,4	110	140	60	
OK 315	315,7	190	40	50	7,4	7,8	90	125	60	
OK 400	397	150	40	50	6,2	7,1	75	90	60	

Intermittent operation: the permissible values may occur for max. 10% of every minute.

OUTLINE DIMENSIONS REFERENCE



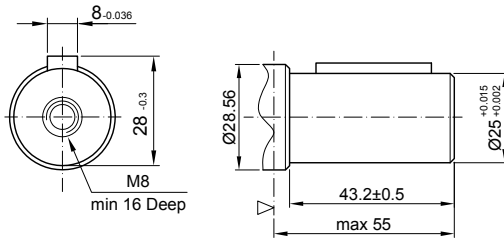
- C : 2 x M8 - 13 mm depth
- P_(A,B) : 2 x G1/2 - 15 mm depth
- T : G1/4 - 12 mm depth (plugged)

Standard Rotation
 Viewed from Shaft End
 Port A Pressurized - CW
 Port B Pressurized - C CW

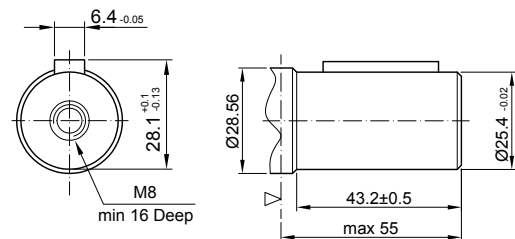
Type	L, mm	L1, mm
OK 32	105	7
OK 40	105	7
OK 50	108	10
OK 80	114	16
OK 100	118	20
OK 125	123	25
OK 160	129	30,5
OK 200	138	38,1
OK 250	148	50
OK 315	160	62
OK 400	172	74

SHAFT EXTENSIONS

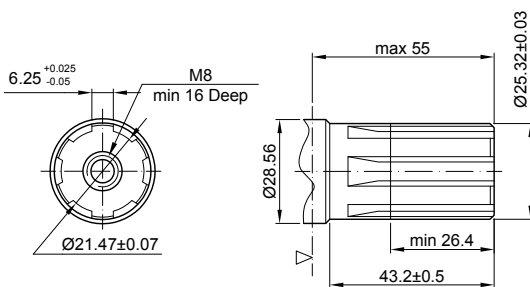
C Ø25 straight, Parallel key A8x7x32 DIN 6885
Max. Torque 44 daNm



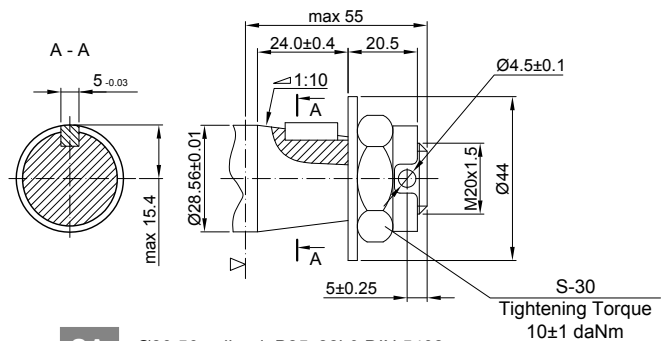
CO Ø25,4 straight, Parallel key 1/4"x1/4"x1 1/4" BS46
Max. Torque 44 daNm



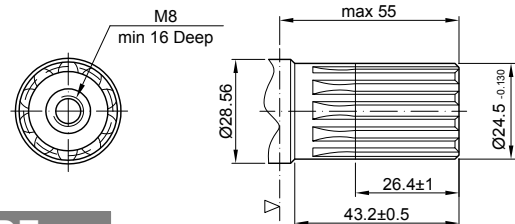
SH Ø28,56 splined, BS 2059 (SAE 6B)
Max. Torque 44 daNm



K Ø28,56 tapered 1:10, Parallel key B5x5x14 DIN 6885
Max. Torque 44 daNm



SA Ø28,56 splined, B25x22h9 DIN 5482
Max. Torque 44 daNm



▽ Motor Mounting Surface

ORDER CODE

	1	2	3	4	5	6	7
OK							

1	Displacement code
50	51,5 [cm³/rev]
80	80,3 [cm³/rev]
100	99,8 [cm³/rev]
125	125,7 [cm³/rev]
160	159,6 [cm³/rev]
200	199,8 [cm³/rev]
250	250,1 [cm³/rev]
315	315,7 [cm³/rev]
400	397,0 [cm³/rev]
2	Shaft Extensions
C	Ø25 straight, Parallel key A8x7x32 DIN6885
CO	Ø25,4 straight, Parallel key 1/4"x1/4"x1 1/4" BS46
SH	Ø28,56 splined BS 2059 (SAE 6B)
K	Ø28,56 tapered 1:10, Parallel key, B5x5x14 DIN6885
SA	Ø28,56 splined B25x22h9 DIN 5482
3	Ports
omit	BSPP (ISO 228)

4	Rotation
omit	Standard Rotation
R	Reverse Rotation
5	Option (Paint)
omit	no paint
P	Painted Low Gloss Color
PC	Corrosion Protected Paint
6	Special Features
omit	none
LL	Low Leakage
LSV	Low Speed Valve
FR	Free Running
7	Design Series
omit	Factory specified

The permissible output torque for shafts must be not exceeded!
Color at customer's request.