

CETOP-03 SIZE LEVER-OPERATED DISTRIBUTOR



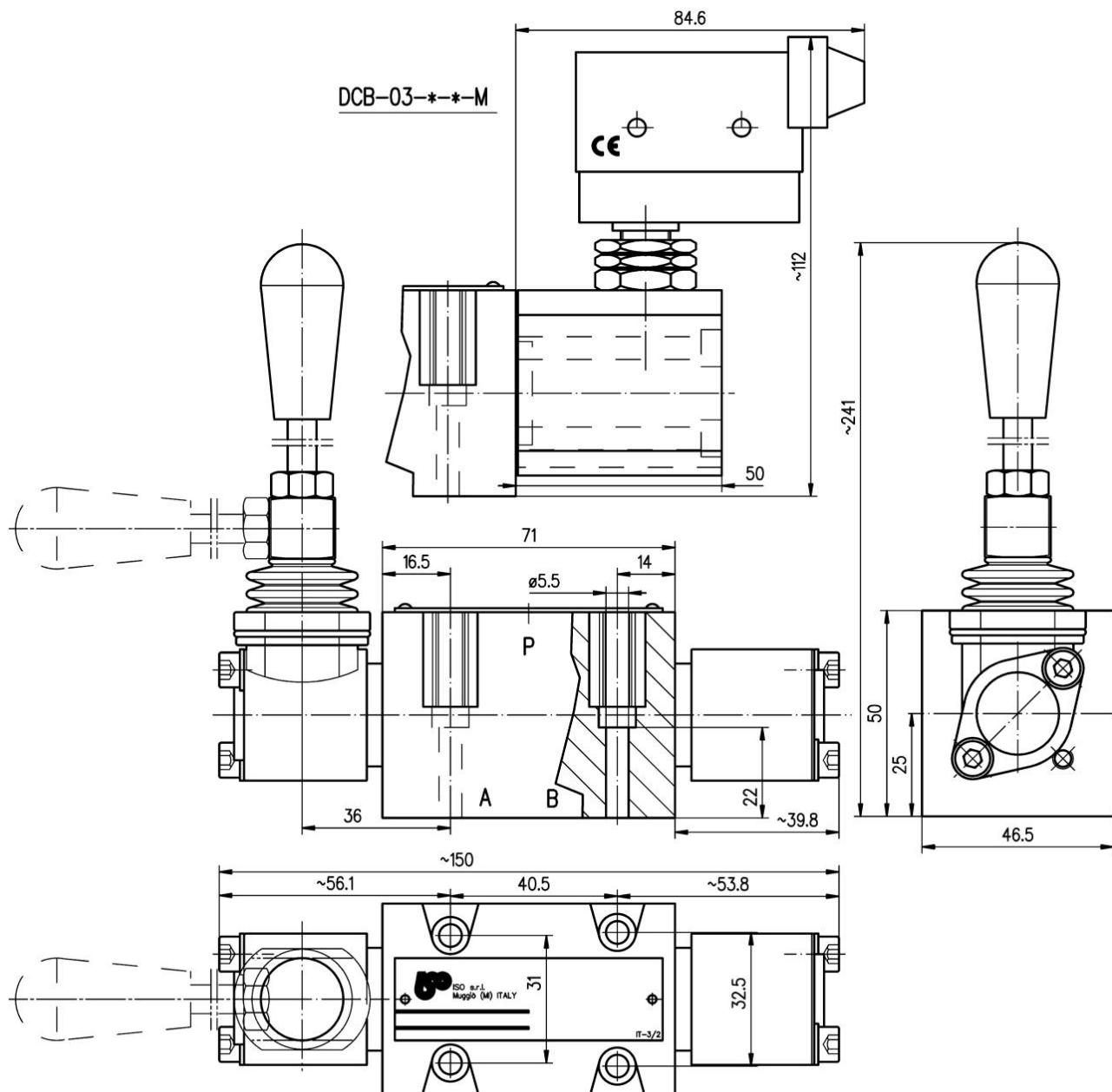
Characteristics

TYPE	Max pressure		Suggested max flow	Weight
	P - A - B	T		
DCB-03-**-*	350 bar	160 bar	50 l/min	1.3 Kg.

Description

Cetop-03 size, lever-operated, four-way, two or three- position, spool distributor.

Dimensions



Installation rules

- The distributors type DCB-03 can be mounted in any position
- Fluid to be used: hydraulic oil in compliance with DIN 51524 rules, viscosity between 30 and 100 mm²/s (cSt) at 40°C
- Recommended filtration: 25µ
- Hydraulic fluid temperature: from -20° to +75°C

CETOP-03 SIZE LEVER-OPERATED DISTRIBUTOR



"A" TABLE

"B" TABLE

Type of control

Type of spool

1	<p>3 positions, spring return to the center position</p>
2	<p>2 positions - spring return to the internal position</p>
4	<p>3 positions - with detent in three position</p>
5	<p>2 positions - with detent in two positions</p>
6	<p>2 positions - with detent in two positions</p>
6*/A	<p>2 positions - with detent in two positions</p>

0	<p>A B</p> <p>P T</p>	5	<p>A B</p> <p>P T</p>
1	<p>A B</p> <p>P T</p>	6	<p>A B</p> <p>P T</p>
3	<p>A B</p> <p>P T</p>	7	<p>A B</p> <p>P T</p>
4	<p>A B</p> <p>P T</p>		

Ordering code

DCB-03 - * - * -M

-M equipped with microswitch (otherwise omit it)

Spool type (see B table)

Control type (see A table)

Lever operated distributor