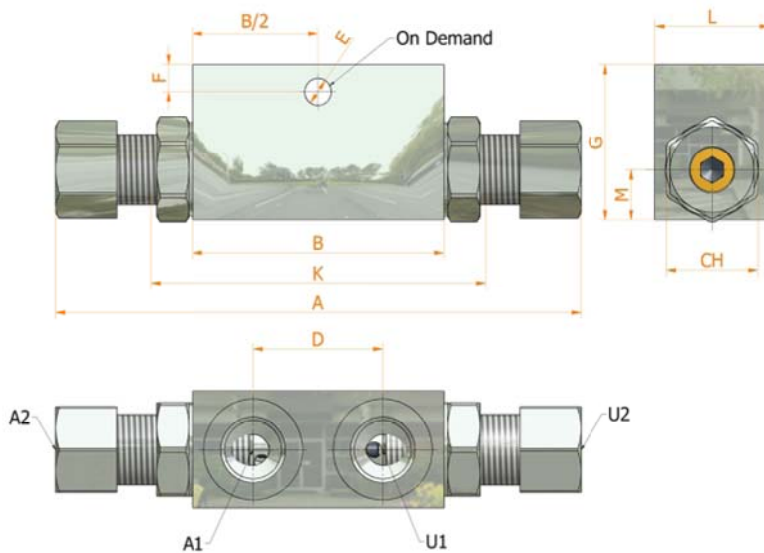
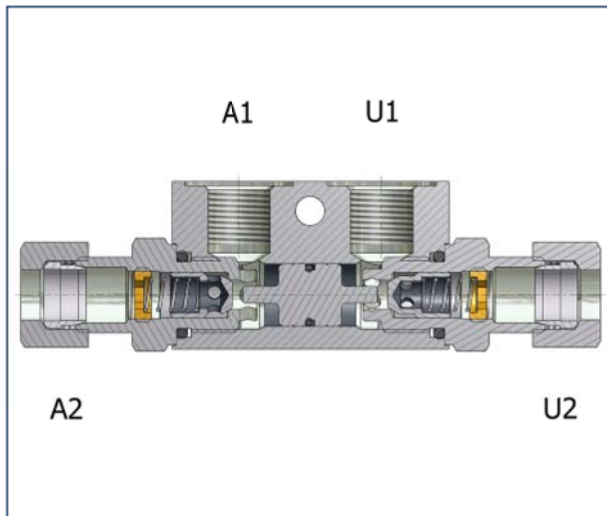
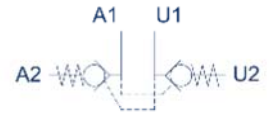




VBDE - DIN 2353

inline double acting
pilot operated
check valve



Specifications:

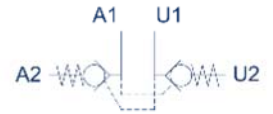
- Zinc plated steel body
- Heat treated components

Upon demand:

- Spring 0,5 bar
- Spring 8 bar

VBDE - DIN 2353

inline double acting
pilot operated
check valve



SPECIFICATIONS

DIMENSIONS	000	005	010	015	020	025	030		
MAX. PRESSURE BAR	350	350	350	350	350	300	300		
RATED FLOW lt/min	20	20	20	20	50	50	80		
PILOT RATIO	1: 4,5	1: 4,5	1: 4,5	1: 4,5	1: 4,5	1: 4,5	1: 4		
OPENING PRESSURE BAR	4	4	4	4	4	4	4		

WEIGHT AND DIMENSIONS

DIMENSIONS	A	B	A1-U1 A2-U2 GAS	A1-U1 A2-U2 NPT	A1-U1 A2-U2 SAE	D	E	F	G	L	M	CH	K	WEIGHT KG
000	138	66	1/4 10	1/4 10	-	34	7,0	7,0	40	30	13	24	88	0,66
005	138	66	3/8 10	3/8 10	-	34	7,0	7,0	40	30	13	24	88	0,65
010	138	66	1/4 12	1/4 12	-	34	7,0	7,0	40	30	13	24	88	0,68
015	138	66	3/8 12	3/8 12	3/16 - 18 1/2	34	7,0	7,0	40	30	13	24	88	0,67
020	140	76	3/8 15	3/8 15	3/4 - 16 5/8	40	8,5	15,0	50	30	16	27	106	0,98
025	140	76	1/2 15	1/2 15	7/8 - 14 5/8	40	8,5	15,0	50	30	16	27	106	0,92
030	180	77	1/2 18	1/2 18	7/8 - 14 3/4	40	8,5	15,0	60	40	20	30	133	1,68

ITEM CODE

VBDE - DIN 2353

G GAS	C CONE	O WITHOUT OR
N NPT	S BALL	R WITH OR
S SAE		

	A1-U1 GAS	A2-U2 --	A1-U1 NPT	A2-U2 --	A1-U1 SAE	A2-U2 INCH
000	1/4	10	1/4	10	-	-
005	3/8	10	3/8	10	-	-
010	1/4	12	1/4	12	-	-
015	3/8	12	3/8	12	9/16 - 18	1/2
020	3/8	15	3/8	15	3/4 - 16	5/8
025	1/2	15	1/2	15	7/8 - 14	5/8
030	1/2	18	1/2	18	7/8 - 14	3/4

O WITHOUT HOLE	1 SPRING 0,5
F WITH HOLE	4 SPRING 4
	8 SPRING 8