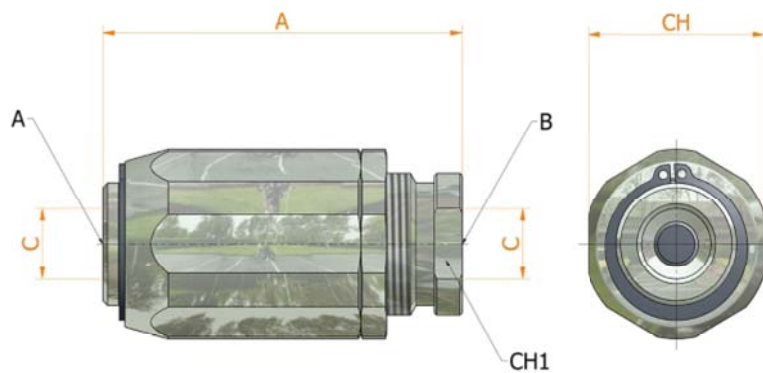
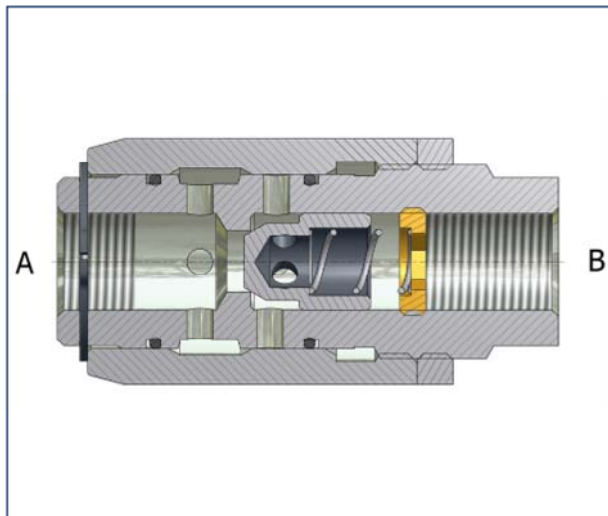
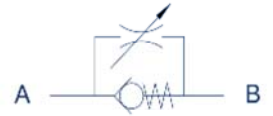




# VRFU

oneway  
flow control valve  
in line



**Specifications:**

- Zinc plated steel body
- Heat treated components
- Low leakage

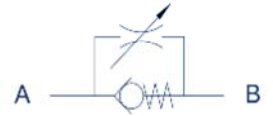
**Upon demand:**

- Spring 4 bar
- Spring 8 bar



# VRFU

oneway  
flow control valve  
in line


**SPECIFICATIONS**

DIMENSIONS	010	020	030	040	050	060	070		
MAX DISPLACEMENT (from B to A) Lt/min	25	45	70	110	160	210	280		
MAX DISPLACEMENT (from A to B) Lt/min	15	30	45	80	110	150	210		
OPENING RATIO BAR	0,5	0,5	0,5	0,5	0,5	0,5	0,5		
MAX. PRESSURE BAR	350	350	350	300	250	230	230		

**WEIGHT AND DIMENSIONS**

DIMENSIONS	A	C GAS	C NPT	C SAE	CH	CH 1	WEIGHT KG
010	66	1/4	1/4	-	32	22	0,28
020	78	3/8	3/8	3/4 - 16	38	26	0,46
030	83	1/2	1/2	7/8 - 14	41	30	0,57
040	104	3/4	3/4	1 1/16 - 12	55	38	1,32
050	118	1	1	1 5/16 - 12	65	46	2,13
060	135	1 1/4	1 1/4	1 7/8 - 12	80	55	3,28
070	150	1 1/2	1 1/2	1 7/8 - 12	90	60	4,75

**ITEM CODE**
