



HERION & RAU
Fluidtechnik GmbH

Screw-in Pressure Switch SW24 Series PDL

Electromechanical Pressure Switch

Switching Point adjustable: 0,2 to 16bar

Pneumatics



90080.1009

Zeppelinstraße 6
D-71083 Herrenberg

fon +49 (0) 7032/2017-0
fax +49 (0) 7032/2017-199

kontakt@bar-control.de
www.bar-control.de

Features

Screw-in Pressure Switches SW24 series PDL are electromechanical signal converter that are changing the pressure of fluids into electrical signals. The switching point within different pressure setting ranges is being factory-set. Optional the setting of switching point is adjustable by the user.

Screw-in Pressure Switch series PDL are designed for use in fluid-technical-systems under normal environmental conditions.

The Pressure Switches PDL operates as a diaphragm pressure switch with different setting ranges. The specific design of the PDL, laid-out as a changer, enables overhanging electric performance characteristics. Based on this the PDL is applicable reliably for voltages up to max. 50V with a switching current up to 4A but also for small currents and voltages of 5V with minimum 5mA.

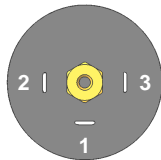
The units have a flat plug 6,3x0,8 available.

Optional a protection cap made of NBR is available.



Contact Arrangement / Circuit Symbols

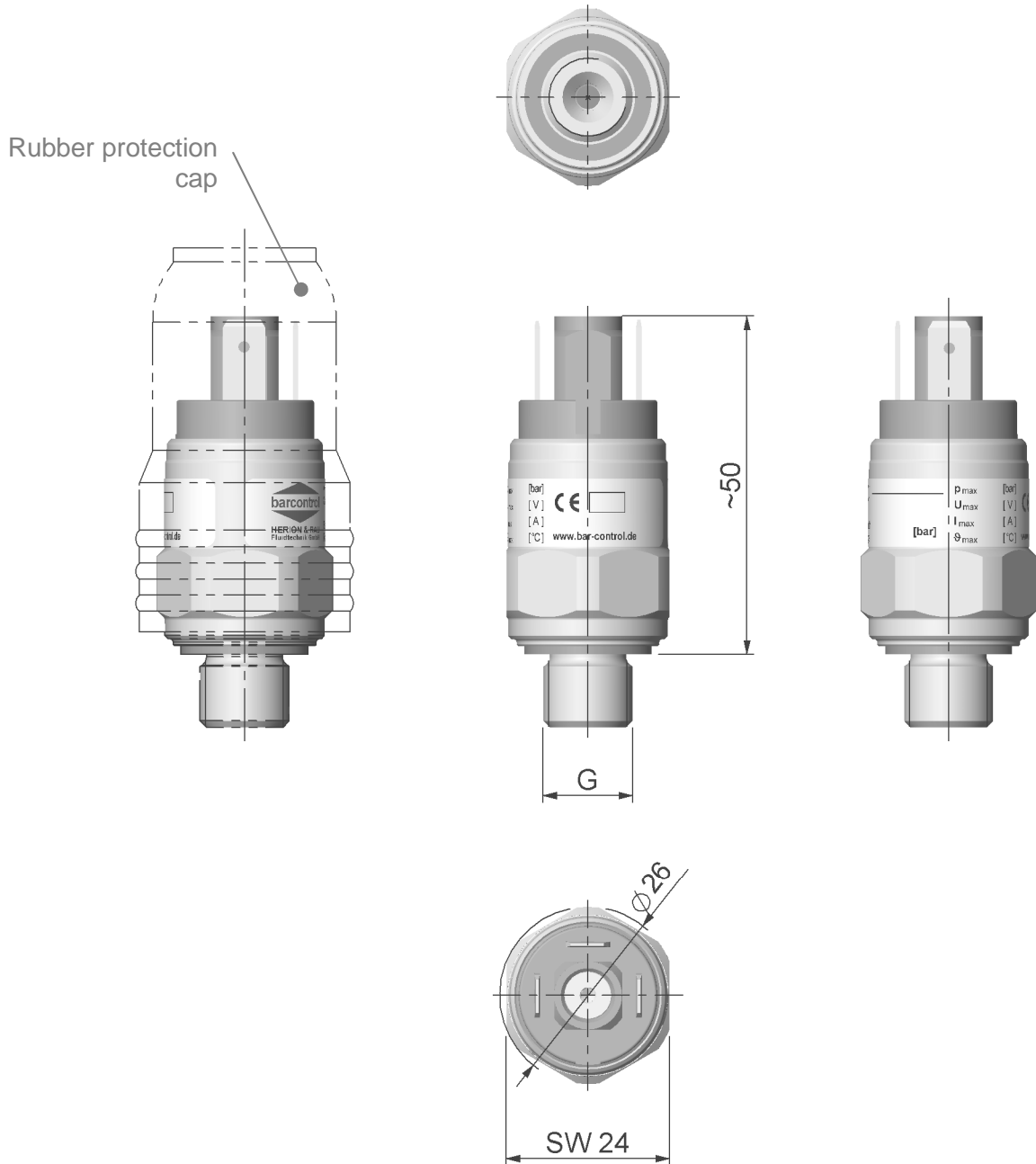
Flat plug 6,3mm:



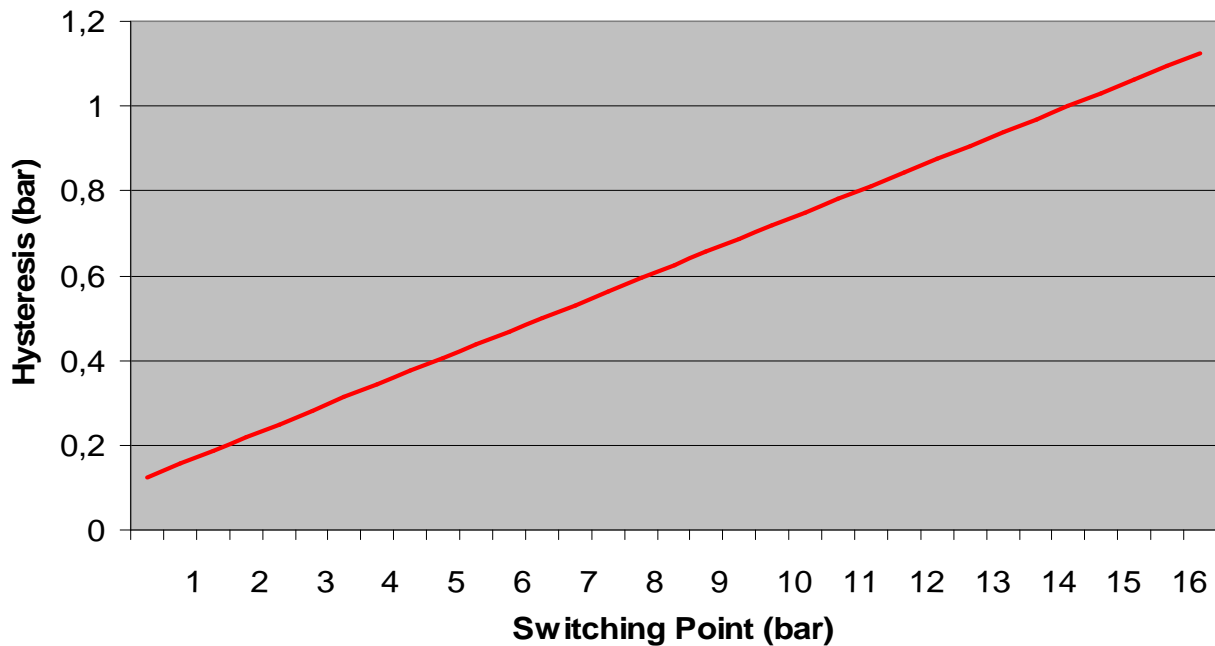
Technical Data

Fluid:	compressed air; neutral fluids
Type of mounting:	by fluid connection
Fluid connection:	external thread G ¹ / ₈ " , G ¹ / ₄ " , M10x1, 1/8NPT, 1/4NPT, other on request
Mounting position:	optional
Operating pressure range:	0,2...2bar 0,5...8bar 1...16bar (max. system pressure 60bar)
Repeatability:	±2% of operating range maximum value
Switching pressure difference:	see diagram switching pressure difference page 4
Max. switching frequency:	100/min
Temperature range:	-20°C bis +80°C
Vibration resistance:	10g (10 ... 2000Hz)
Shock resistance:	30g
Electrical connection:	flat plug 6,3x0,8
Switching element:	change-over switch with catch spring as switching element and self-cleaning contacts
Operating current and voltage at operating category:	AC12 acc.to VDE0660 (EN60947): 4A at 50VAC AC14 acc.to VDE0660 (EN60947): 1A at 50VAC DC12 acc.to VDE0660 (EN60947): 2A at 28VDC DC14 acc.to VDE0660 (EN60947): 0,5A at 28VDC
CE-Certification:	acc.to EU-Standard 73/23/EWG
Protection category EN 60529:	DIN 43650: IP00
Material:	housing: steel-zinc coated, other on request seal/diaphragm: NBR
Weight:	0,100 kg

Dimensions



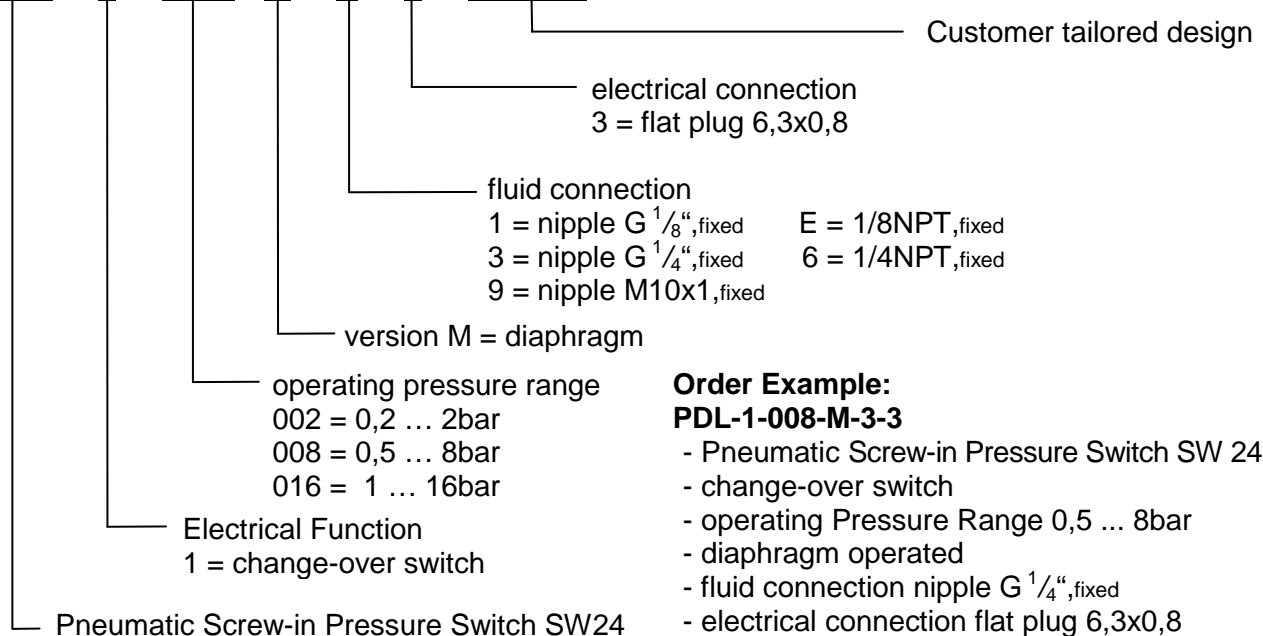
Switching Pressure Difference



Example: At a switching point of 3bar the switching pressure difference (Hysteresis) is 0,3bar (guiding value).

Order Code

PDL - 1 - XXX - M - X - 3 - GE XXX



Order Example:

PDL-1-008-M-3-3

- Pneumatic Screw-in Pressure Switch SW 24
- change-over switch
- operating Pressure Range 0,5 ... 8bar
- diaphragm operated
- fluid connection nipple G 1/4", fixed
- electrical connection flat plug 6,3x0,8

Accessories

Rubber protection cap: Order-number: 102296

Specifications are subject to change without notice.