



HERION & RAU  
Fluidtechnik GmbH

## Pressure Transmitter Series PDT

Analogue, Electronic Signal Converter

Measuring Range: 0 to 25 bar relative

Pneumatics + Hydraulics



90041.0309

Zeppelinstraße 6  
D-71083 Herrenberg

fon +49 (0) 7032/2017-0  
fax +49 (0) 7032/2017-199

kontakt@bar-control.de  
www.bar-control.de

---

## Features

---

The pressure transmitter series PDT converts the pressure level in fluids into analogue electric signals. The fluid pressure generates, depending on the configuration, an analogue current signal of 4-20mA or an analogue voltage of 0-10V.

A robust ceramic measuring cell is used as the measuring unit. The output signal is linearised and temperature-compensated using internal electronics.

A stainless steel housing and connectors allow the pressure transmitter series PDT to be used universally in pneumatic and hydraulic applications as well as in chemical and processing plants for process control.

The pressure transmitter series PDT is constructed for industrial applications under normal environmental conditions. Units for special applications, upper measurement ranges, other fluids and electrical connections are available on request.

Sockets assembled with cable are available as optional accessories.



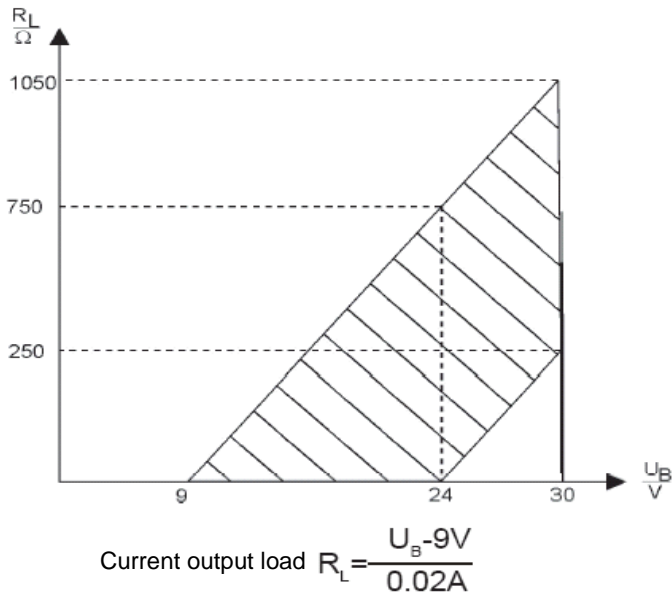
---

## Technical Data

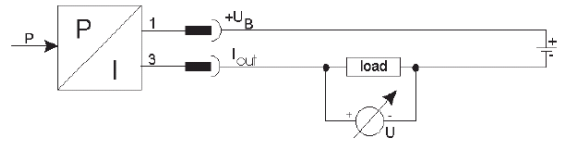
---

|                                       |   |
|---------------------------------------|---|
| Operating fluid:                      | neutral and low aggressive fluids   |
| Fluid connection:                     | G1/4" Nipple with Emerto-Seal (alternatives on request)   |
| Mounting position:                    | optional  |
| Measuring range / overload pressure : | 1bar/4bar; 1,6bar/4bar; 2,5/6; 4/12; 6/15; 10/25; 16/40; 25/50 (other measuring ranges and on request)                      |
| Output Signal:                        | 4-20mA for two-wire connection<br>0-10V for three-wire connection   |
| Linearity:                            | ≤1% of maximum operating pressure range   |
| Repeatability:                        | ≤0.3% of maximum operating pressure range   |
| TK-Zero:                              | ≤0.3% of maximum operating pressure range / 10 Kelvin   |
| TK-Measurement span:                  | ≤0.2% of maximum operating pressure range / 10 Kelvin   |
| Temperature range:                    | -10°C to +80°C  |
| Supply voltage:                       | 9 to 30V DC for current output; supply frequency 50 Hz: 10%<br>14 to 30V DC for voltage output; supply frequency 50 Hz: 10% |
| Electrical connection:                | M12x1 (sockets not included), other constructions on request  |
| Measuring cell:                       | ceramic cell  |
| EMV:                                  | EN 50 081-1; EN 50 082-2  |
| Degree of protection:                 | IP 65 (EN 60529)  |
| Material:                             | Housing: stainless steel (1.4305); Seals: NBR (other on request)  |
| Weight:                               | 0,100 kg  |

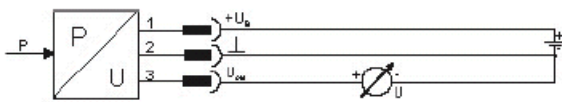
# Electrical Connection; Operating Range for Current Output



Electrical connection for 2-wire-technique



Electrical connection for 3-wire-technique



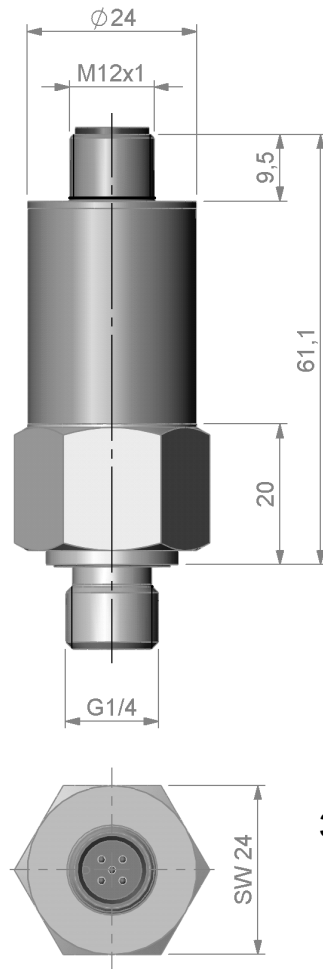
## Scale drawing; pin configuration

Connector configuration PDT Pressure Transmitter

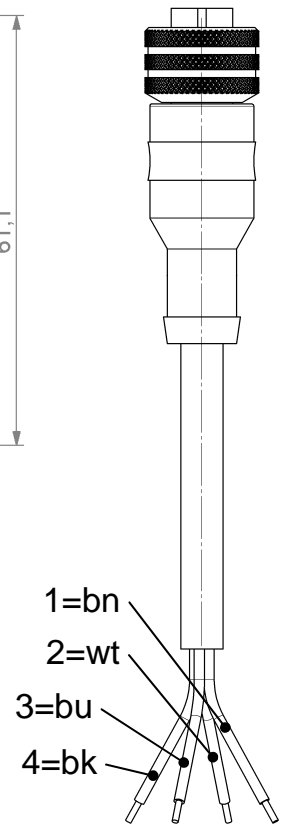
|        | connector |       |
|--------|-----------|-------|
|        | 4-20mA    | 0-10V |
| +UB    | 1         | 1     |
| GND    | -         | 2     |
| Signal | 3         | 3     |

Do not use programming pins 4 and 5

Pin configuration M12-Connector



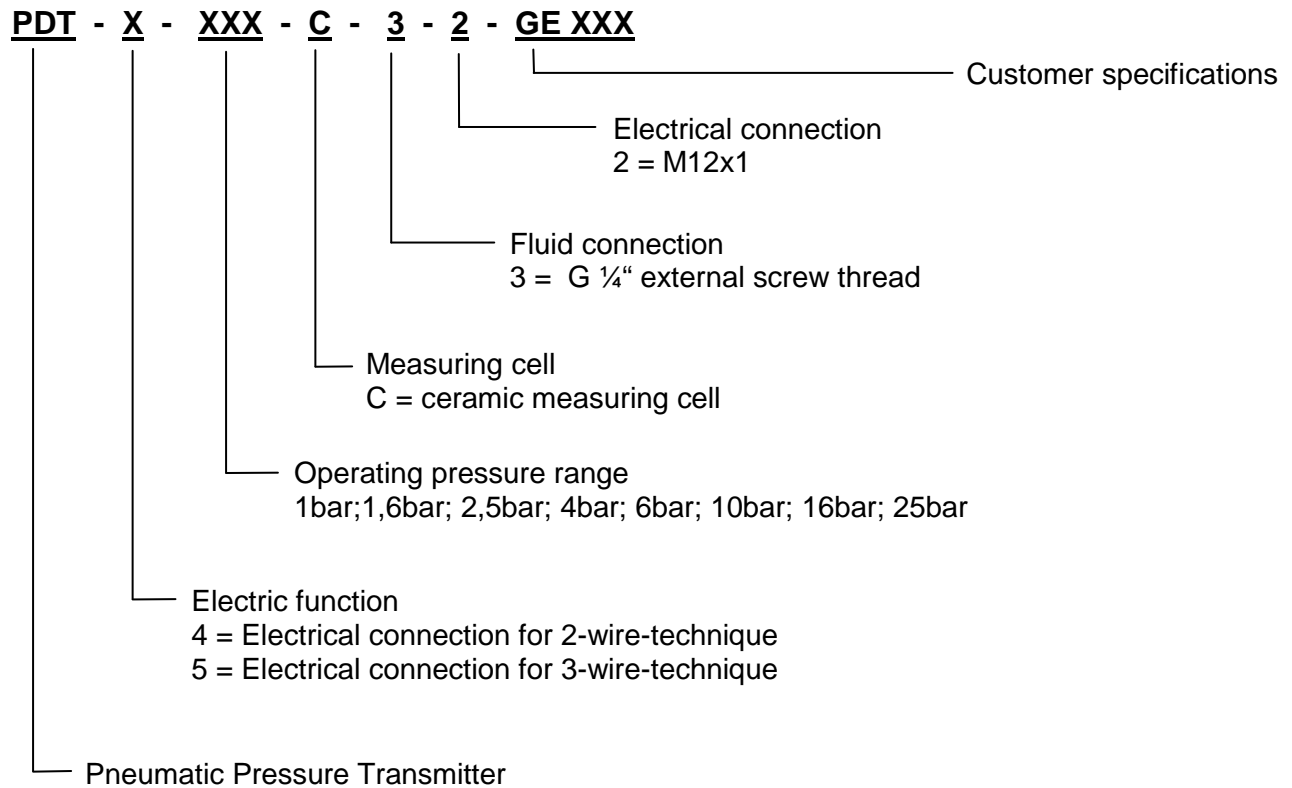
Socket with cable in accessories



---

## Order - Code

---



---

## Order example

---

### PDT- 4 - 016 - C - 3 - 2

- Pneumatic Pressure Transmitter
- Electrical connection for 2-wire-technique
- Operating pressure range 0... 16 bar (relative)
- Ceramic measuring cell
- Fluid connection G1/4 external screw thread
- Electrical connection M12x1

---

## Accessories

---

Socket M12x1 with cable L =1,5m

order number: 011041

Technical subject to change without notice!